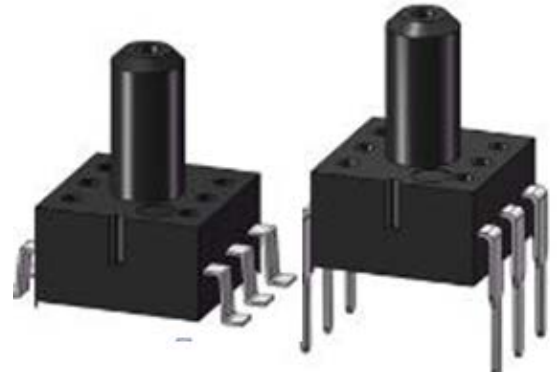


Features

- Low cost
- Operating Temperature: -40°C ~ 85°C
- Operating Pressure:
0 ~ 10Kpa, 0 ~ 40Kpa, 0 ~ 200Kpa
- SOP6, DIP6
- Tube



Applications

- Process Control
- Altitude Measurement
- Medical Instrumentation
- Consumer Appliances
- Factory Automation

Descriptions

The HP107 is a piezoresistive silicon pressure sensor packaged in a surface mount configuration. It is intended for high volume applications where small size, light weight, low cost, and compatibility with automated assembly equipment are required.

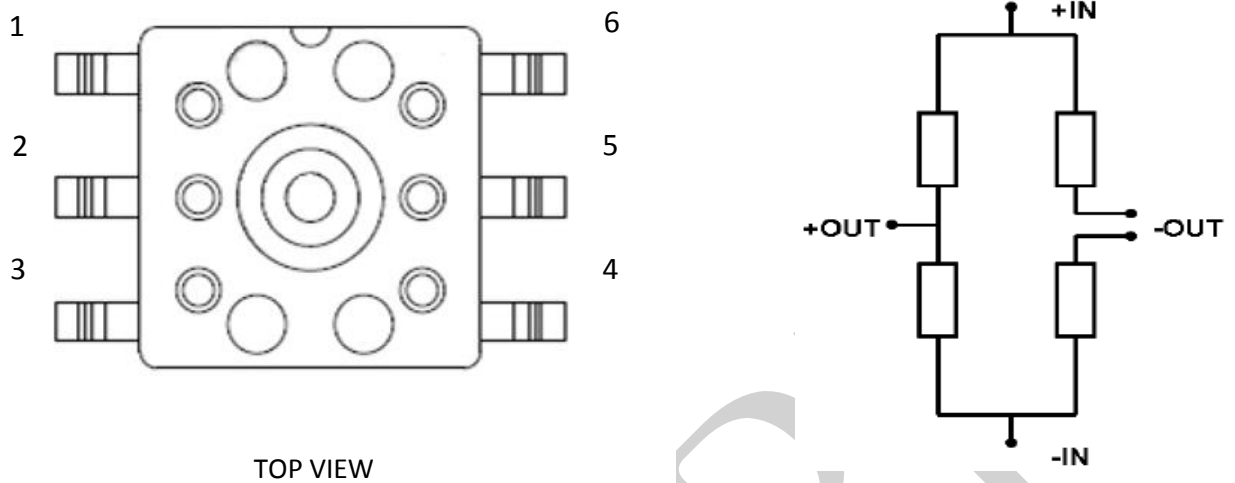
1. Electrical Specifications

Table 1: Supply Voltage 5 Vdc, Ambient Temperature: 25°C (unless otherwise specified)

Name	Symbol	Min	Typ.	Max	Unit	Notes
Operating Pressure	HP107-010G	0		10	Kpa	
	HP107-040G	0		40		
	HP107-200G	0		200		
Overpressure	T=25°C	2X			FS	
Burst Pressure	T=25°C	>3X			FS	
Operating Temperature	-	-40		85	°C	
Storage Temperature	-	-40		125	°C	
Media		Non-Corrosive Dry Gases				
Supply Voltage	T=25°C		5	10	V	
Supply Current	T=25°C		1	2	mA	
Input & Output Resistance	T=25°C	4	5	6	KΩ	
Zero Offset	T=25°C	-15	0	15	mV	
Span	T=25°C	40	60	75	mV	10Kpa
		60	75	90	mV	40Kpa
		70	90	110	mV	200Kpa
Pressure Nonlinearity	10Kpa	-0.3		0.3	%VFS	1
	>10Kpa	-0.15		0.15		
TC Zero Offset	T=25°C	-0.08		0.08	%VFS	2
TC Span	T=25°C	-0.27	-0.22	-0.17	%VFS/°C	
	T=25°C	-0.03		0.03	%VFS/°C	
TC Resistance	T=25°C	1600	2000	2400	ppm	
Pressure Hysteresis	T=25°C	-0.1	0.05	0.1	%VFS	

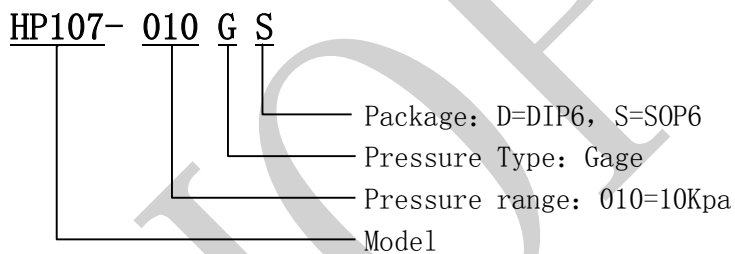
- 1、 Best fit straight line.
- 2、 Over the temperature range 0-50°C with respect to 25°C.

2. Pin Configuration



Pin Name	1	2	3	4	5	6
Function	OUT-	OUT-	IN-	NC	OUT+	IN+

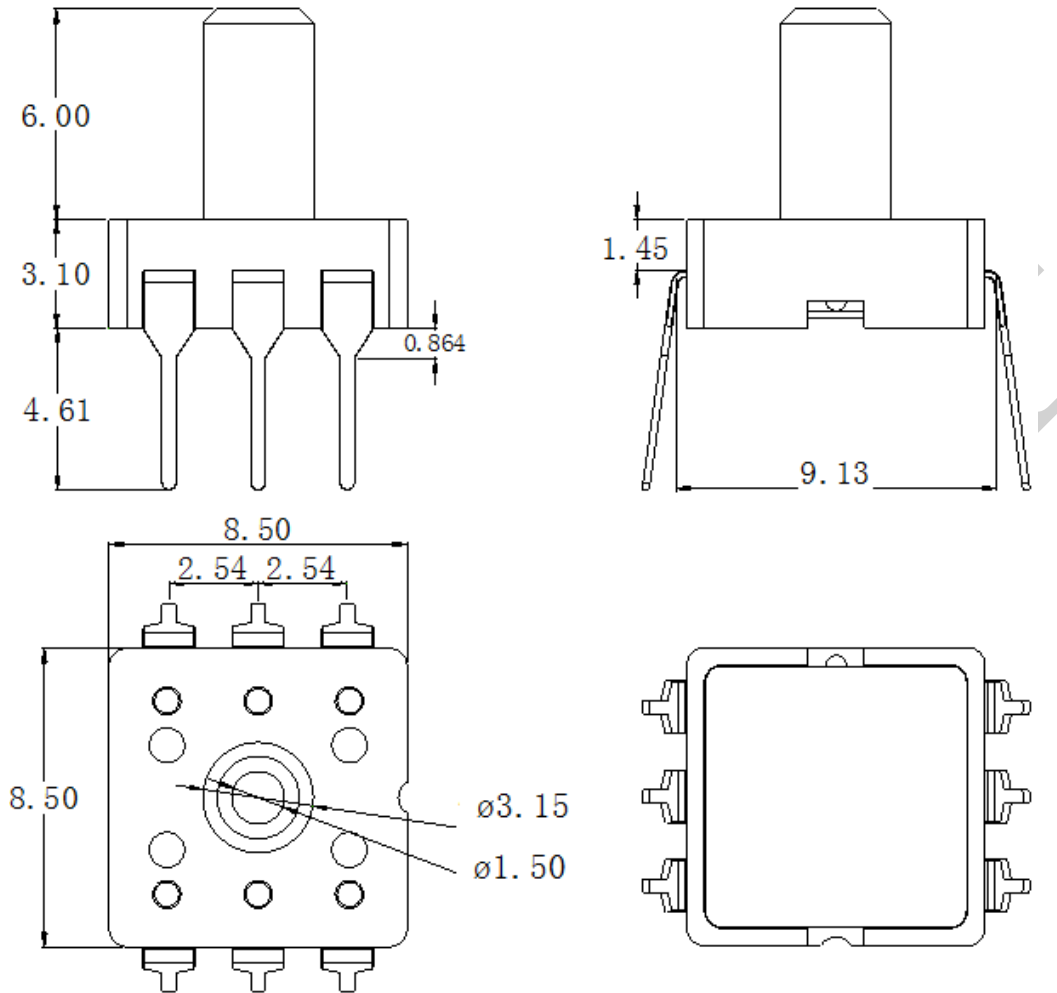
3. Ordering Guide



Model	Range	Type	Package
HP107-010GD	10Kpa	Gage	DIP6
HP107-040GD	40Kpa	Gage	DIP6
HP107-200GD	200Kpa	Gage	DIP6
HP107-010GS	10Kpa	Gage	SOP6
HP107-040GS	40Kpa	Gage	SOP6
HP107-200GS	200Kpa	Gage	SOP6

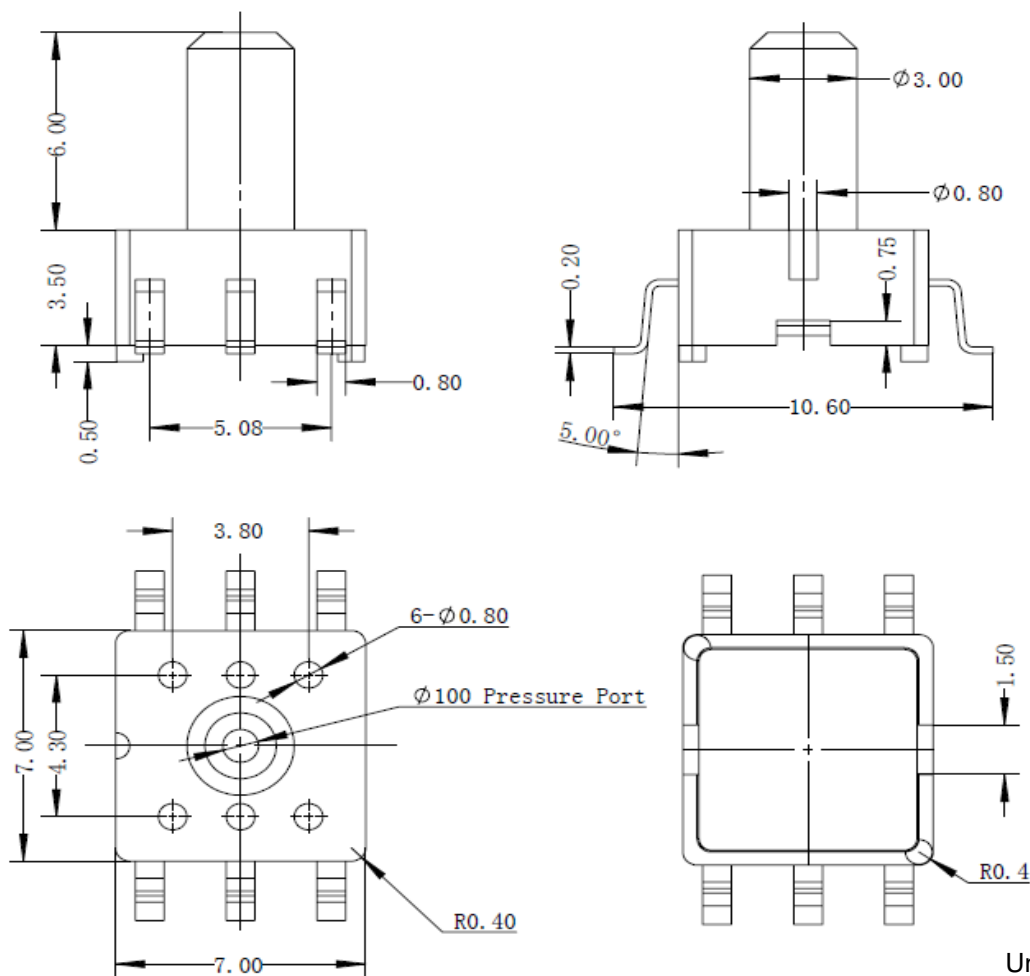
4. Package Information

4.1 DIP6



Unit: mm
Tolerance: ± 0.15

4.1 SOP6



Unit: mm

Tolerance: ± 0.15

HOPE MICROELECTRONICS CO., LTD

Add: 2/F, Building 3, Pingshan Private Enterprise Science and Technology Park, Lishan Road, XiLi Town, Nanshan District, Shenzhen, Guangdong, China

Tel: +86 755 82973805

Fax: +86 755 82973550

Email: sales@hoperf.com

Website: <http://www.hoperf.com>

<http://www.hoperf.cn>

This document may contain preliminary information and is subject to change by Hope Microelectronics without notice. Hope Microelectronics assumes no responsibility or liability for any use of the information contained herein. Nothing in this document shall operate as an express or implied license or indemnity under the intellectual property rights of Hope Microelectronics or third parties. The products described in this document are not intended for use in implantation or other direct life support applications where malfunction may result in the direct physical harm or injury to persons. NO WARRANTIES OF ANY KIND, INCLUDING, BUT NOT LIMITED TO, THE IMPLIED WARRANTIES OF MECHANICALITY OR FITNESS FOR A PARTICULAR PURPOSE, ARE OFFERED IN THIS DOCUMENT.

©2017, HOPE MICROELECTRONICS CO., LTD. All rights reserved.

Rev: HP107 datasheet V1.0