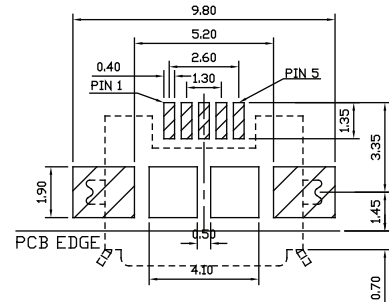
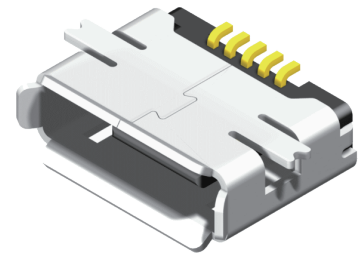
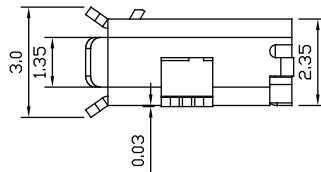
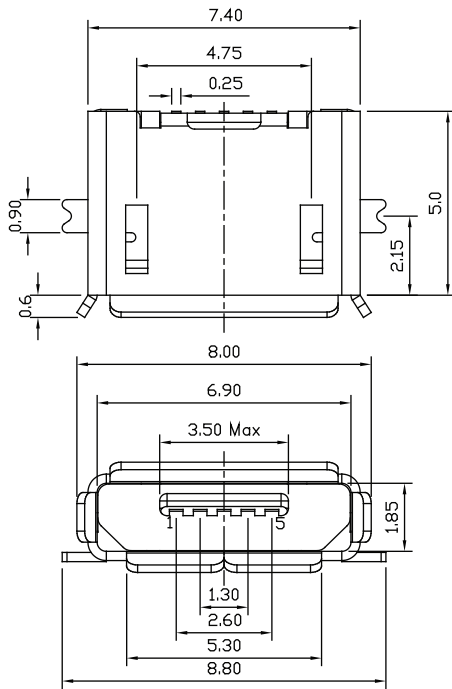




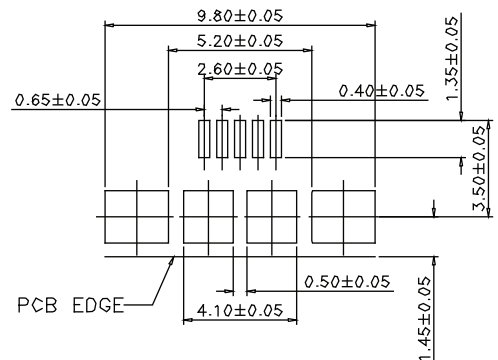
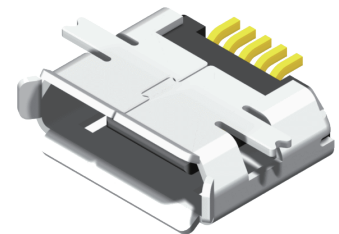
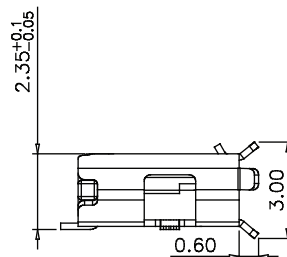
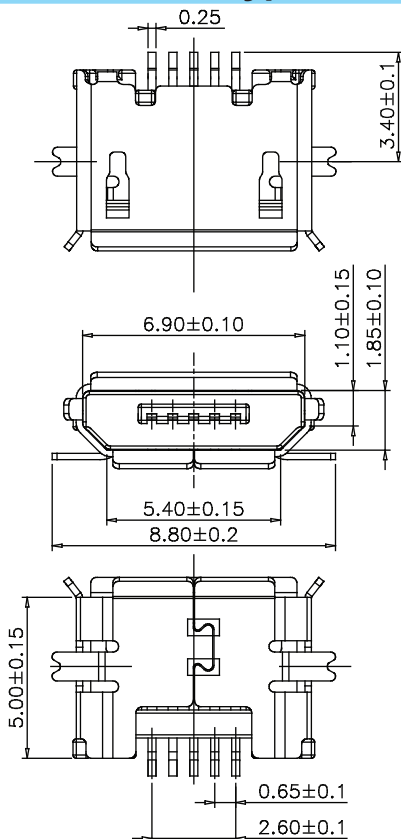
Micro USB AB Type Female SMT 90° 5P



| No. | Name | Material | Finish | Q'TY | Remark |
|-----|-----------|---------------------|---------------|------|-------------|
| 1 | Housing | LCP+GF30% | Black | 1 | |
| 2 | Pin Term. | Copper Alloy T=0.20 | Gold Plated | 5 | Gold: 30u" |
| 3 | Shell | Stainless T=0.20 | Nickel Plated | 1 | Ni:80~120u" |

P/N.:5UR2M01MF-105GUBUAN1
Old P/N:MIUSB-F5M-ABB-U

Micro USB B Type Female SMT 90° 5P



| No. | Name | Material | Finish | Q'TY | Remark |
|-----|-----------|--------------|-------------|------|--------|
| 1 | Housing | LCP | Black | 1 | |
| 2 | Pin Term. | Copper Alloy | Gold Plated | 5 | Gold |
| 3 | Shell | SUS | | 1 | |

P/N.:5UR2B01MF-105G0BUAN1
Old P/N:MIUSB-F5M-BB-U

Micro USB



ROHS