



L-KLS12-TL058-1X1-G/Y-03

100 Base, 1x1, Tab-down,
RJ45 with transformer,
With LED with EMI-finger,
LED: Yellow/Green

Electrical Specifications:

Electrical:

- Voltage rating: 125V AC.
- Insulation resistance: 500 megohms MIN @500VDC.
- Contact resistance: 50 milliohms Max.
- T/R: TX=1CT:1CT(?2%) & RX=1CT:1CT(?2%).
- OCL: 350uH Min. at 100KHz 100mV 8mA DC.
- Insertion Loss: -1.0 dB Max 1MHz to 100MHz.
- Return loss: -16dB Min From 1MHz to 30MHz;
-14dB Min From 30MHz to 60MHz;
-10dB Min From 60MHz to 80MHz.
- Cross talk: -40dB Min From 1MHz-30MHz;
-35dB Min From 30MHz-60MHz;
-30dB Min From 60MHz-100MHz;
- CMR: -35dB Min From 1MHz-100MHz;
- Hi-Pot: 1500V AC 6S 1mA

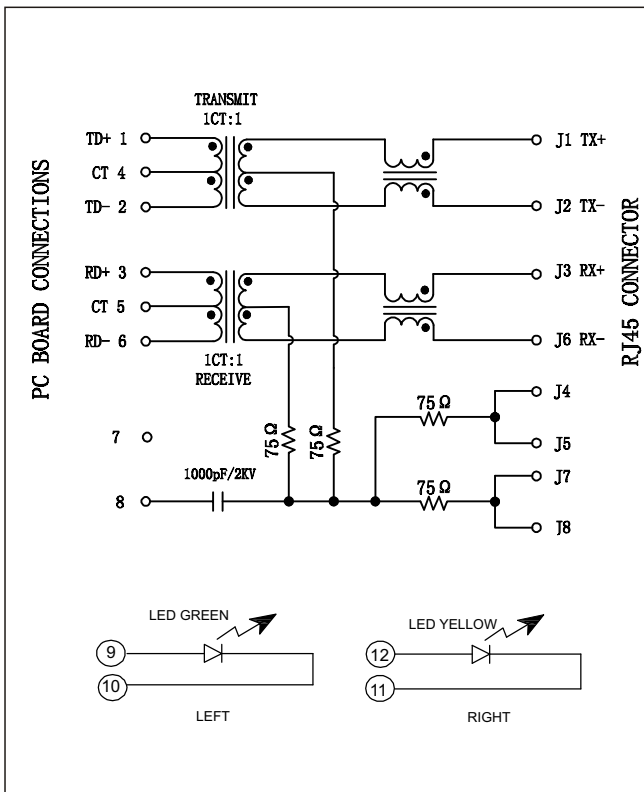
Material:

Housing : PBT+30%GF, UL94V-0, Black.
Plastic bracket : PBT+30%GF, UL94V-0, Black.
Shell: C2680R-H, T=0.20mm, Nickel plated in all area.
Contact terminal: Phosphor bronze C5210R-EH, T=0.35mm,
Gold plated 6u" in the mating area.
Solder terminal: Brass, C2680-H, T=0.35mm. Tin plated
80u" Min. at solder Tines.

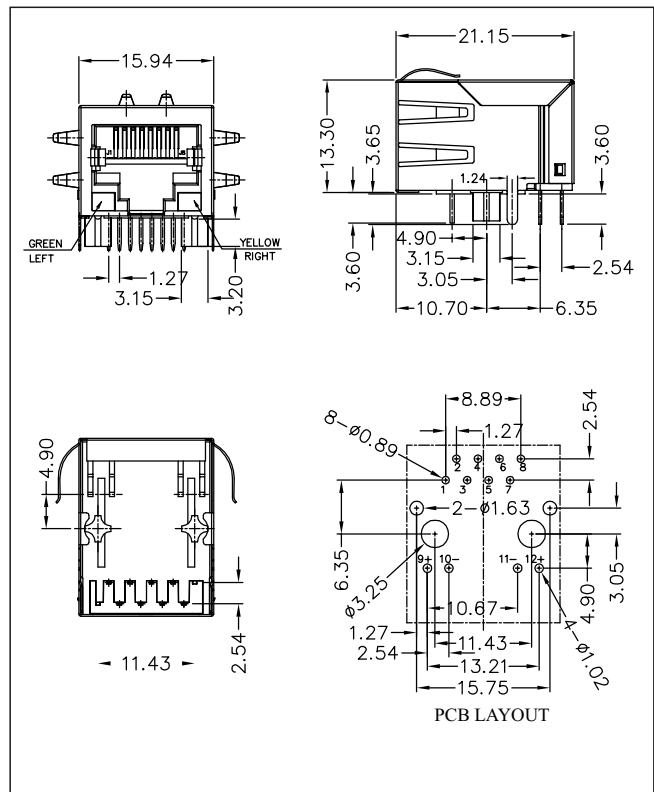
Mechanical:

Durability : 750 cycles Min.
Mating force : 22N Max.
Operating temperature: -40°C~+85°C.

PC Board Connections:



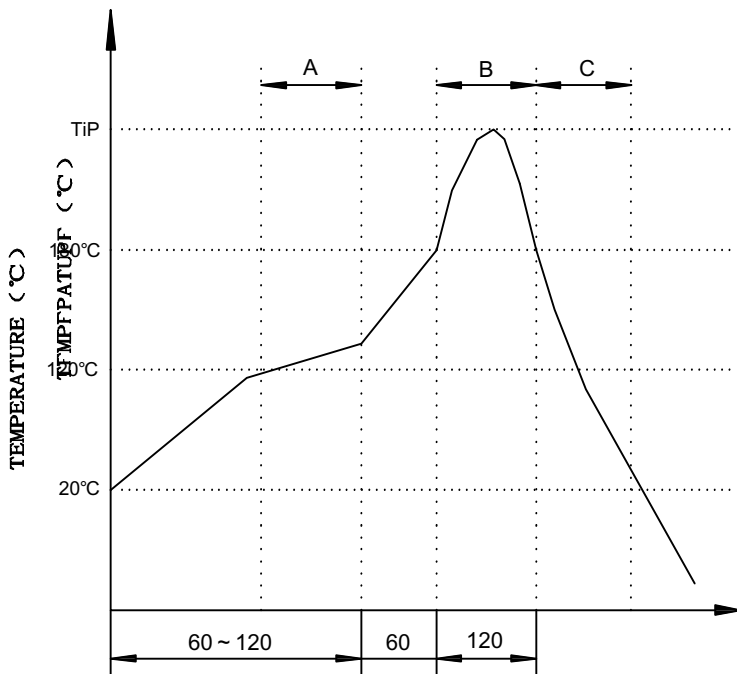
Drawing



Specification LED

Standard LED Color	LED Wavelength	Forward (V MAX)	Typical (V TYP)	Luminous Intensity
Green	560-580 nm	2.5V	2.1-2.2V	9-25 MCD
Yellow	580-610 nm	2.5V	2.1-2.2V	9-30 MCD

PROFILE OF WAVESOLDER



A.Preheating B.Soldering C.Gradual Cooling
 Tip temperature:260±5°C.
 Tip temperature time:5Sec Max.
 Tip melting point of Sn96.5/Ag3/Cu0.5:217°C.

After the wave solder,the plastic column of product under the pcb will have a slight plastic melting situation.