

## USB Series

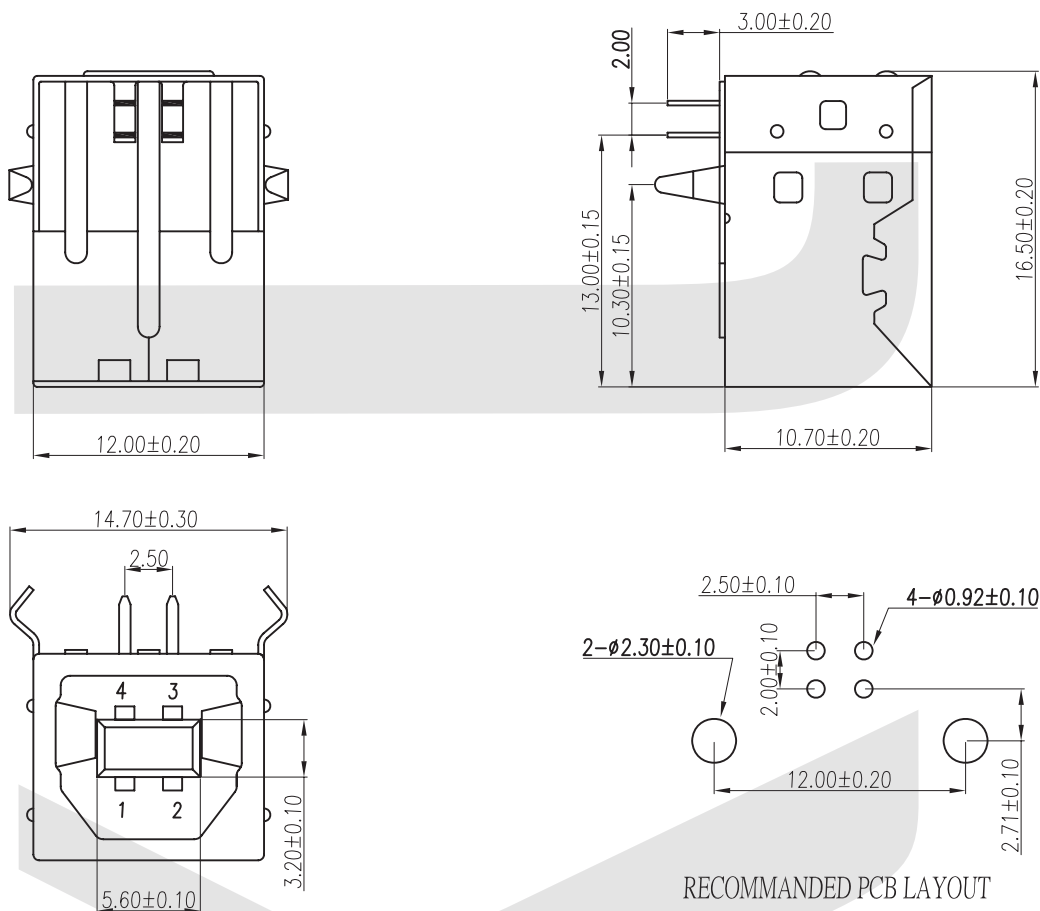
### KLS1-151 USB-B type

**Material:**

Housing: 30% Glass filled PBT UL94V-0  
Contacts: Phosphor Bronze  
Pin Plated: Gold 3u" over 50u" nickel

**Electrical Characteristics:**

Current Rating: 1 AMP  
Insulator Resistance: 1000M Ohm min. at 500 VDC  
Dielectric Withstanding Voltage: 500 VAC / Minute  
Contact Resistance: 30m Ohm max.  
Temperature: -55°C ~+105°C



## ORDER INFORMATION

Product NO.: KLS1 - 151 - W

Pos. NO.

USB-B Type

Color: W=White B=Black