

DC 12V 24V Stepper Motor Pulse Signal Generator for Stepper Motor Driver Controller Speed Regulator

Features:

1.this module is a pulse generation module, supply the control signal to stepper driver.

To control the stepper motor, it must be equipped with a drive.

2.this simple controller + stepper motor + stepper motor + DC power supply can be composed of a simple set of control platform.

3.the controller has high 5.4k-160khz, middle 540-16.6khz, low 80-2.4khz total of 3 kinds of low frequency signal can be used to select the jumper.

4.can produce pulse signal, can also produce PWM signal, can choose the jumper.

5.the frequency of measurement: PUL and common cathode end.

Different stepper driver may mark different name

EN=ENA=FREE Enable

PUL=PULS=CLK Pulse

DIR=CW=CWW Direction

Common anode Connection method (B)

EN+ PUL+ DIR+ connect together to com+.

EN- connect EN

PUL- connect CLK

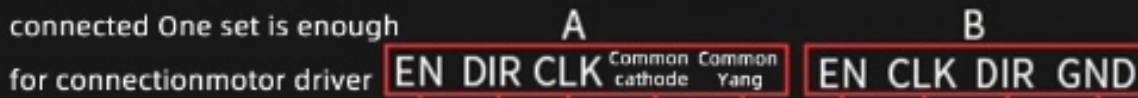
DIR- connect DIR

Package Included:

1 x Pulse Signal Generator to Stepper Motor Driver Module

Generated motor driver

Signal output A and B are
connected One set is enough
for connection motor driver



power input
8-24V
Pay attention to
the positive and
negative

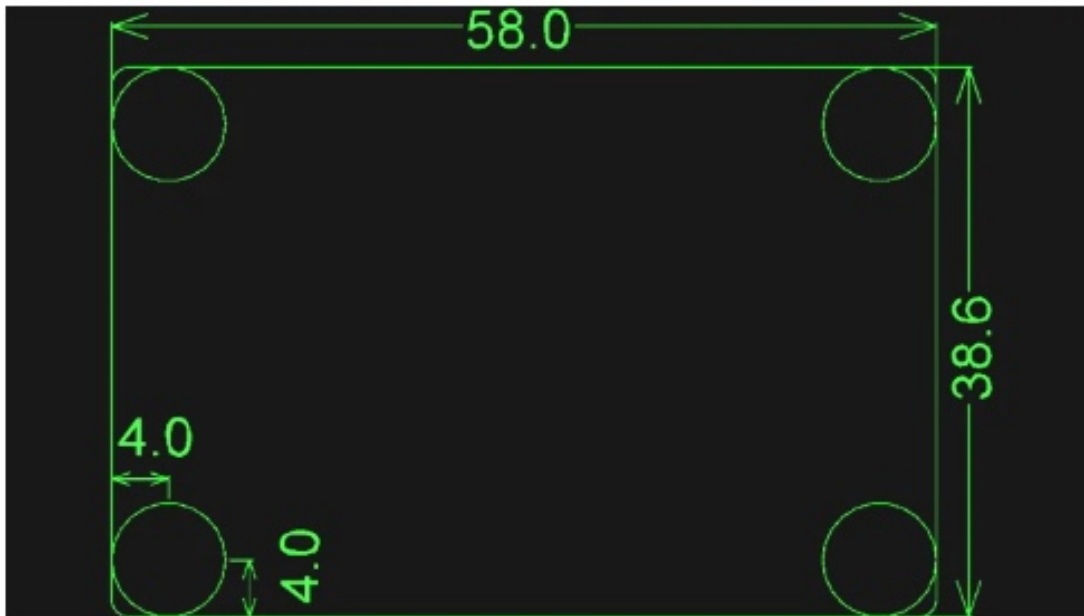
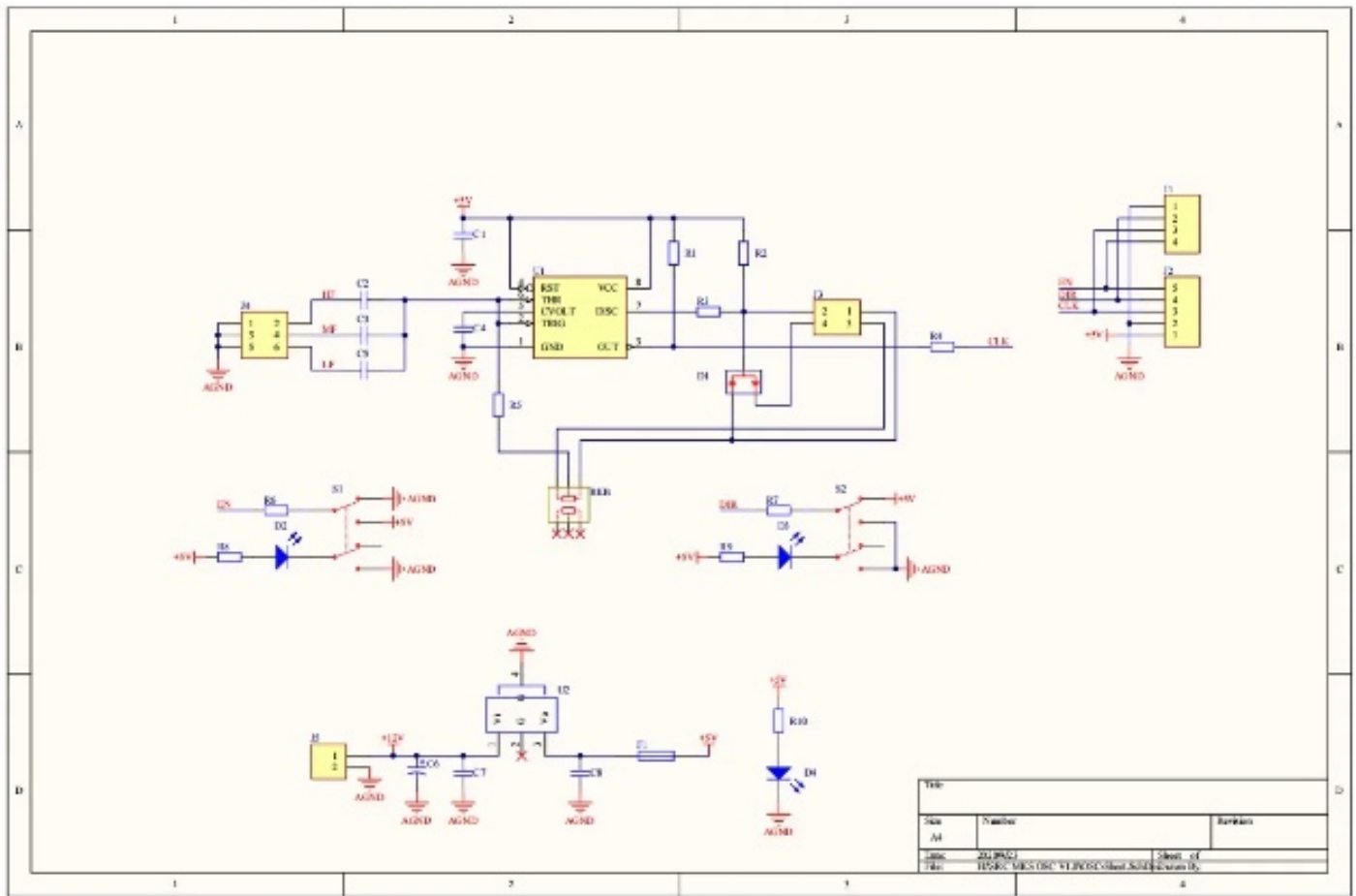


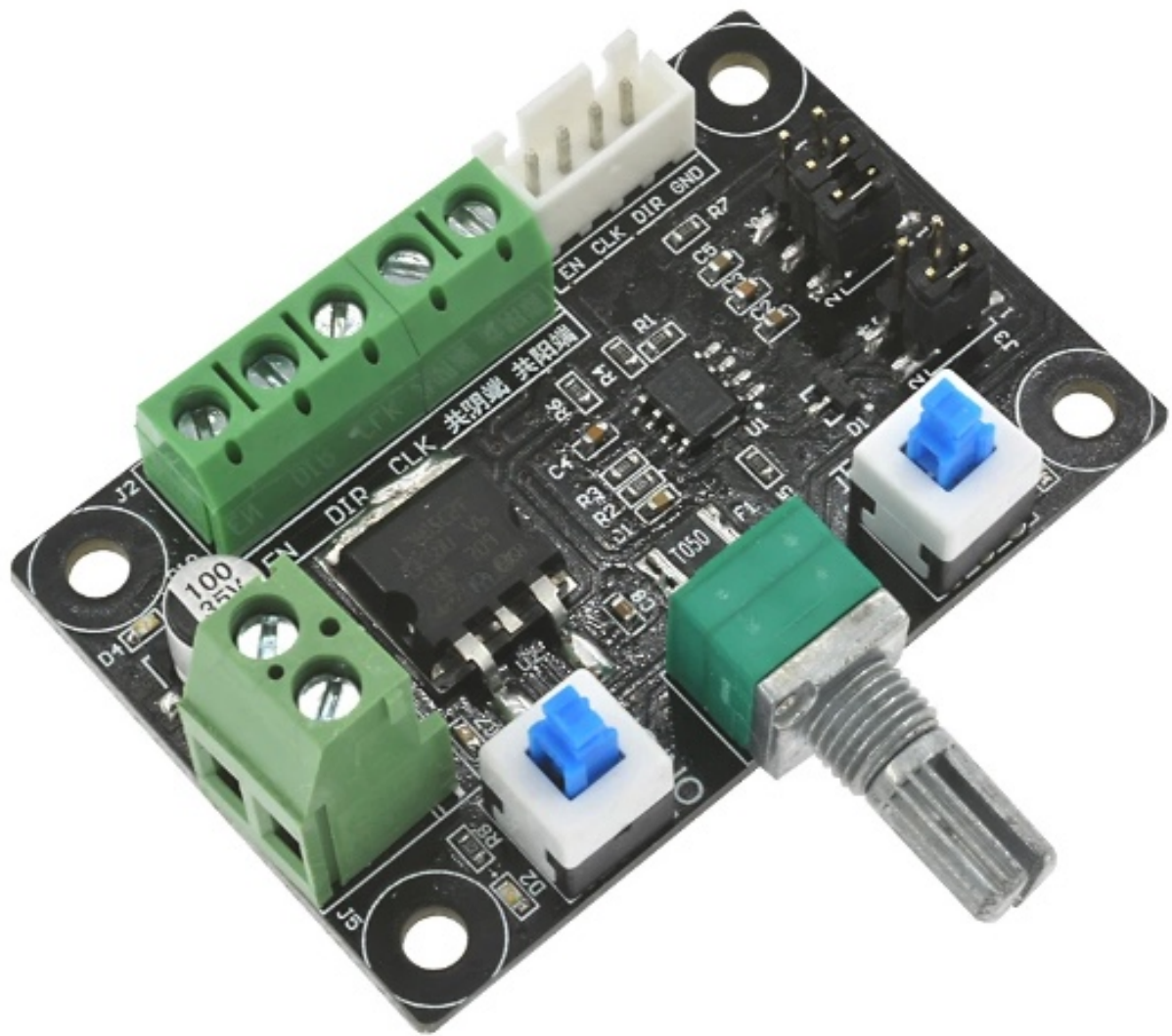
Speed range selection
1-2: 5.4K-160kHz
3-4: 540-16.6kHz
5-6: 80-2.4kHz

Signal selection
1-2 pulse signal
3-4 PWM signal

Motor switch

Motor forward and
reverse switch





MKS®
OSC V1.0
2015. 4. 11

J3		J4		
1-2	3-4	1-2	3-4	5-6
FREQ	PWM	高频	中频	低频

