

A

B

C

D

REVISIONS

ZONE|REV|

DESCRIPTION

DATE

APPD.

1

2

3

4

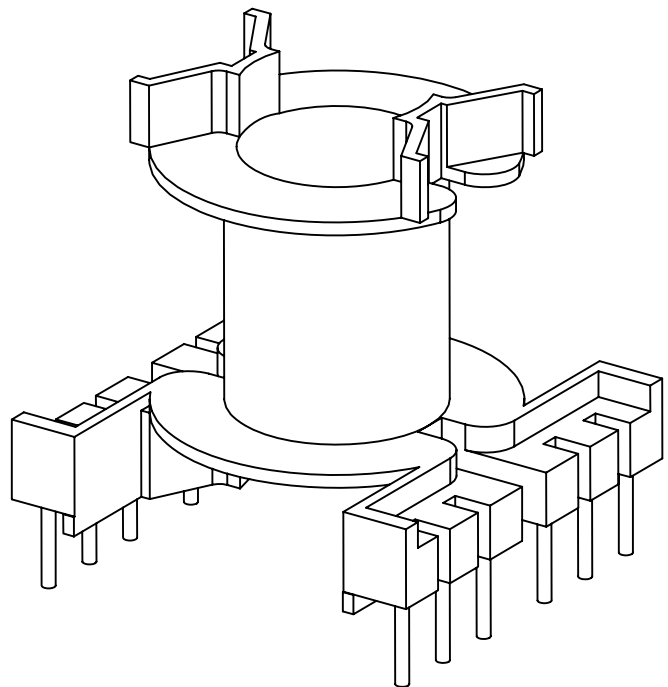
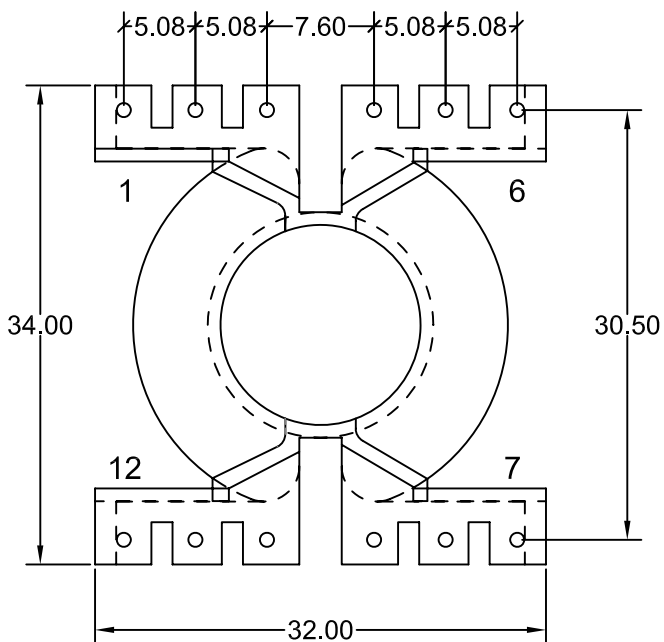
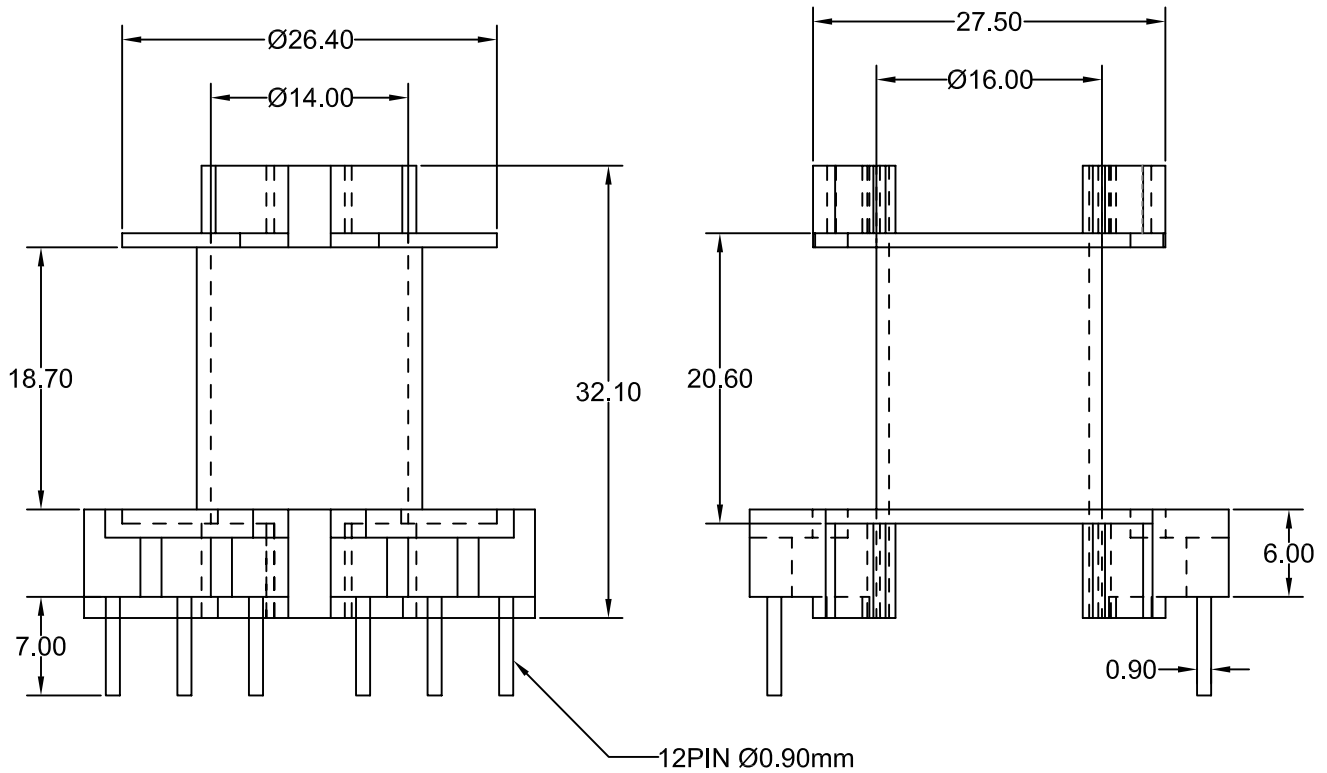
5

6

7

8

9



COMPONENT WEIGHT : 7.0 GMS

NOTE:
 (1) All dimensions are in mm.
 (2) Tolerance for all dimension is ± 0.2
 (3) Molding Material:
 (a) Zytel FR 50 BK 153J - UL & RoHS
 (b) Zytel 70G33L BK 031 - Non UL
 (c) Zytel 70G33L NC 010 - Non UL
 (d) Ryrite FR330L BK507 - UL & RoHS
 (e) Ultramid A3X2G5 - UL & RoHS
 (5) Pin Material: C.C.S Wire with Th (Su) Plated



DURGA ELECTRONICS (INDIA)

COMPONENT NAME: BOBBIN

PART NO: PQ3230 VER. 12PIN

REMARKS:

REV.
00

	NAME	SIGN.	DATE
DESIGN BY	SACHIDANAND	<i>Sachidanand</i>	31.01.03
CHECKED BY	MANOJ GUPTA		31.01.03
APPR. BY	MANOJ GUPTA		31.01.03

SCALE: NTS

DRG.NO:DEI/DRG/0156

PATH
↓

D:\DURGA\PQ SERIES\PQ3230 VERTICAL 12PIN