

Ürün parametreleri

Module number [Ⓐ]	12864-6 [Ⓐ]	packaging [Ⓐ]	COB [Ⓐ]
Overall dimensions [Ⓐ]	93.0mm*70.0mm [Ⓐ]	Connection Mode [Ⓐ]	conductive strip [Ⓐ]
Horizon size [Ⓐ]	70.8mm*38.8mm [Ⓐ]	Interface means [Ⓐ]	Single parallel port [Ⓐ]
Dot size [Ⓐ]	0.48mm*0.48mm [Ⓐ]	Backlight type [Ⓐ]	LED [Ⓐ]
Dot pitch [Ⓐ]	0.05mm*0.05mm [Ⓐ]	Backlight color [Ⓐ]	Yellow green/white light [Ⓐ]
Dot matrix [Ⓐ]	128*64 [Ⓐ]	Working voltage [Ⓐ]	+5v/3.3v [Ⓐ]
Screen surface [Ⓐ]	Yellow green/blue/black white/Gray [Ⓐ]	Working temperature [Ⓐ]	-20~+70°C [Ⓐ]
controller [Ⓐ]	KS0108 [Ⓐ]	Storage temperature [Ⓐ]	-30~+80°C [Ⓐ]

Ürün açıklaması:

12864-6, grafik nokta oluşumu sıvı kristal ekran modülü. Esas olarak hat sürücülerini ve sütun sürücülerinden oluşur, 128 (sütun) x 64 (sıra) kafes görüntüleyebilir. Grafik ekranı tamamlayabilir, ayrıca 8x4 (16*16 nokta vuruşlu çince karakterler görüntüleyebilir.

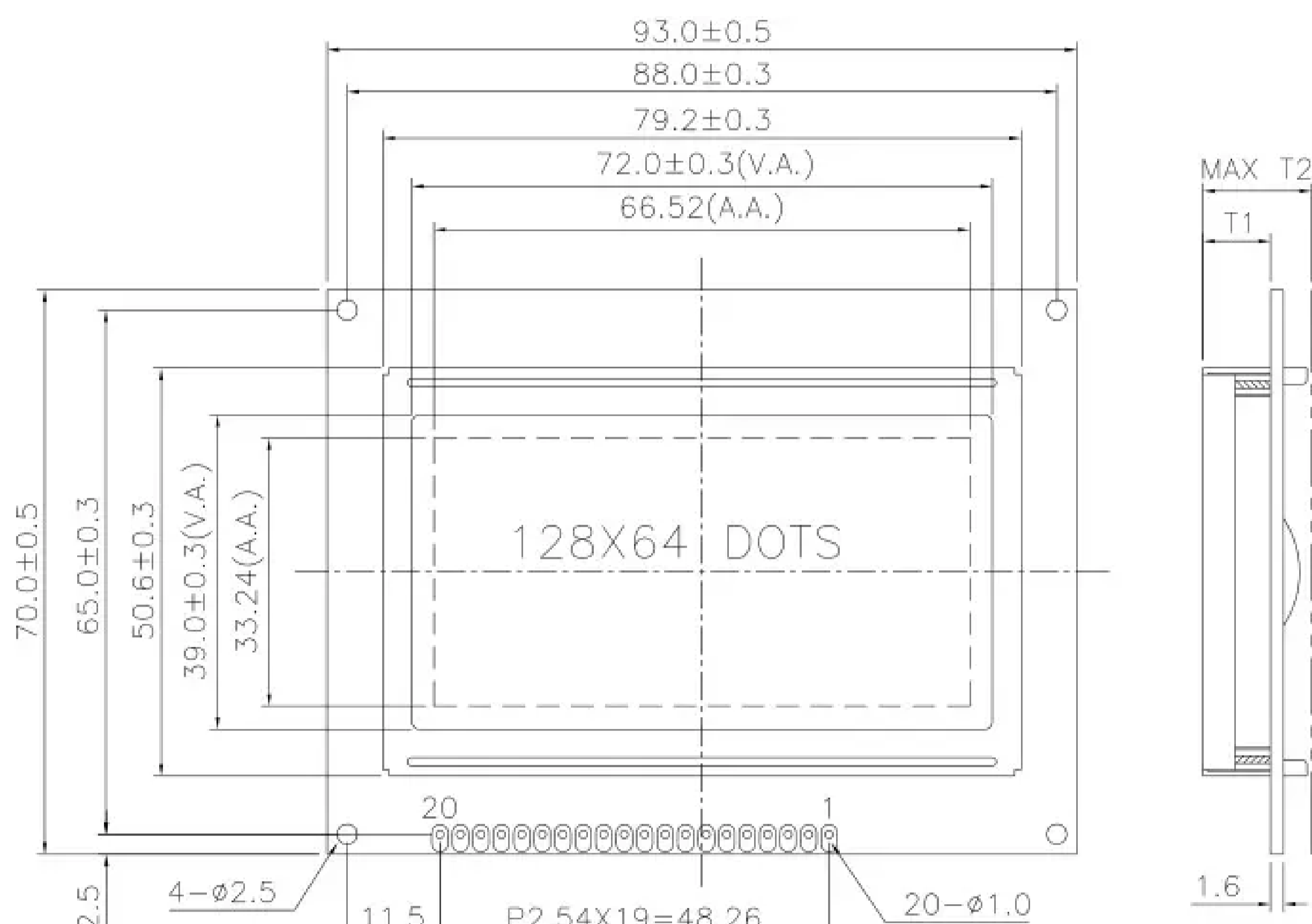
Yedi kontrol talimatı ve 8 bit veri yolu paralel giriş/çıkış kullanarak CPU arayüzü.

Dahili RAM 512 bayt (4096)

Arabirimi tanımı

Pin number [Ⓐ]	Pin name [Ⓐ]	Function description [Ⓐ]
1 [Ⓐ]	VSS [Ⓐ]	Power(0V) [Ⓐ]
2 [Ⓐ]	VDD [Ⓐ]	Input voltage(+5V) [Ⓐ]
3 [Ⓐ]	VO [Ⓐ]	LCD driving voltage input(contrast control) [Ⓐ]
4 [Ⓐ]	RS [Ⓐ]	Register choose end high. data register low. command register [Ⓐ]
5 [Ⓐ]	R/W [Ⓐ]	Read/write information high: read operation low: write operation [Ⓐ]
6 [Ⓐ]	E [Ⓐ]	Enable signal [Ⓐ]
7-14 [Ⓐ]	DBD-DB7 [Ⓐ]	Data bus [Ⓐ]
15 [Ⓐ]	CS1 [Ⓐ]	CS1, low effective, corresponding left half screen 64*64 [Ⓐ]
16 [Ⓐ]	CS2 [Ⓐ]	CS2, low effective, corresponding right half screen 64*64 [Ⓐ]
17 [Ⓐ]	/RST [Ⓐ]	Reset signal, low effective [Ⓐ]
18 [Ⓐ]	VOUT [Ⓐ]	Negative pressure input and output side [Ⓐ]
19 [Ⓐ]	LED-A [Ⓐ]	Backlit positive [Ⓐ]
20 [Ⓐ]	LED-K [Ⓐ]	Backlight negative [Ⓐ]

Daha fazla özellik gereksinimleri varsa, pls serbestçe bize ulaşın



PIN CONNECTIONS

Pin	Symbol	Level	Function
1	Vss	0V	GND
2	VDD	+5V	Power supply for logic
3	Vo	--	Operating voltage for LCD
4	RS	H/L	H : Data L : Instruction code
5	R/W	H/L	H : Read L : Write
6	E	H,H→L	Enable signal
7	DB0	H/L	Data bus
8	DB1	H/L	
9	DB2	H/L	
10	DB3	H/L	
11	DB4	H/L	
12	DB5	H/L	
13	DB6	H/L	
14	DB7	H/L	
15	CS1	H	Chip selection for IC1. Active "H".
16	CS2	H	Chip selection for IC2. Active "H".
17	/RST	L	Reset signal. Active "L".
18	Vout	-10V	Output voltage for LCD driving
19	LEDA	+5V	Power supply for LED backlight
20	LEDK	0V	

MECHANICAL DATA

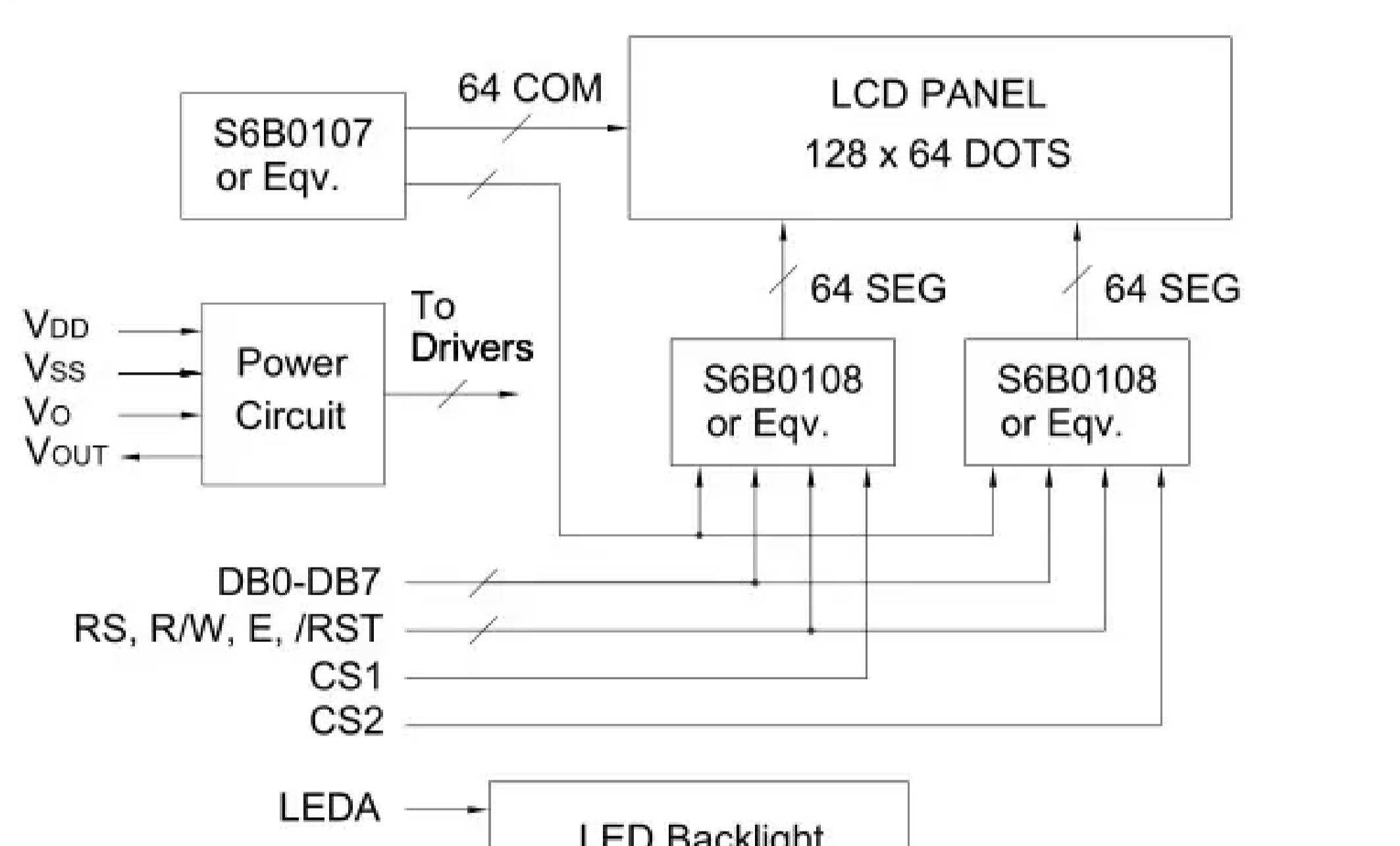
Item	Nominal Dimensions	Unit
Module Size (W x H x T)	93.0 x 70.0 x 10.0/13.5	mm
Viewing Area (W x H)	72.0 x 39.0	mm
Dot Pitch (W x H)	0.52 x 0.52	mm
Dot Size (W x H)	0.48 x 0.48	mm
Weight (Reflective/LED)	Approx. 55 / 75	g

ABSOLUTE MAXIMUM RATINGS

Item	Symbol	Min.	Max.	Unit
Supply Voltage(Logic)	VDD- VSS	-0.3	7.0	V
Supply Voltage(LCD)	VDD- Vo	-0.3	19.0	V
Input Voltage	Vi	-0.3	VDD+ 0.3	V
Operating Temp.	Topr	-20	70	°C
Storage Temp.	Tstg	-30	80	°C

ELECTRICAL CHARACTERISTICS (VDD=5V± 0.25V)

Item	Symbol	Test Condition	Min.	Typ.	Max.	Unit
Input High Voltage	VIH	--	2.0	--	VDD	V
Input Low Voltage	VIL	--	- 0.3	--	0.8	V
Output High Voltage	VOH	IOH = - 0.2mA	2.4	--	VDD	V
Output Low Voltage	VOL	IOL = 1.6mA	0	--	0.4	V
Supply Current	IDD	VDD = 5.0V	--	6.0	8.0	mA
LCD Driving Voltage	VDD- Vo	Ta=25°C	--	11.7	--	V



Ürün ekran:

