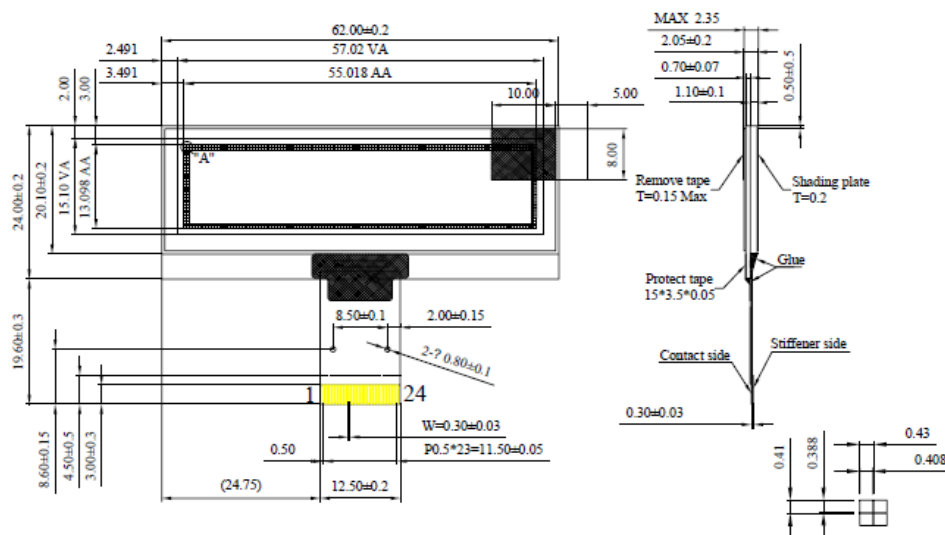


## OLED Graphic Display – WEO012832A

This display is built with SSD1305Z IC which has an outline dimension of 62.0 x 24.0 mm. Current available display colour of blue. Below are the basic specifications of the WEO009664A as reference. If you need further information, please contact us.



Item – WEO009664A	Dimensions	Unit
Number of Dots	128 x 32	-
Module Dimensions	62.0 x 24.0 x 2.35	mm
Active Area	55.018 x 13.098	mm
Pixel Size	0.408 x 0.388	mm
Pixel Pitch	0.43 x 0.41	mm
Display Mode	OLED, Passive Matrix	
Display Colour	Blue	
Drive Duty	1/32	
IC	SSD1305Z	



Datasheets and additional information can be found on: <http://www.winstar.com.tw>