

Overview

Quick Details

Place of Origin: Zhejiang, China

Model Number: JQC-3F (T73)

Usage: PCB

Protect Feature: Sealed

Product name: JQC-3F T73 PCB 24VDC Relay

Contact Resistance: 100mΩ(at 1A 6VDC)

Contact Capacity: 10A 250VAC/7A 250VDC

Operate Time: 10ms/5ms

Nominal Coil Power: 0.36W,0.45W

Brand Name: QIANJI

Size: Subminiature

Theory: Electromagnetic Relay

Contact Load: High Power

Contact Ratings: 1H,1Z

Contact Material: Silver Alloy

Insulation Resistan... 100MΩ.500VDC

Terminal Type: PCB

Product Certificatio...CE

PCB Relay

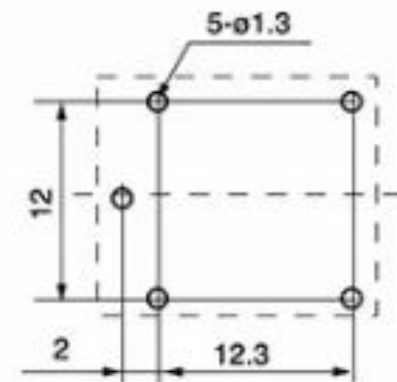
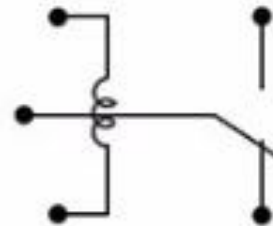
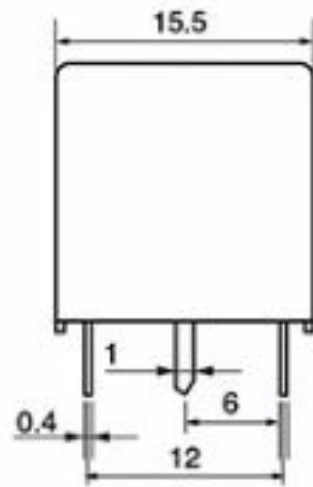
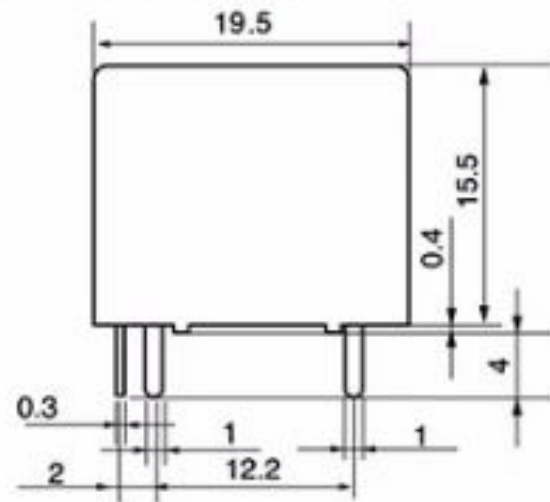


Contact Ratings	
Contact Ratings	1H,1Z
Contact Resistance	100MΩ(at 1A 6VDC)
Contact Material	Silver Alloy
Contact Capacity	10A 250VAC/7A 250VDC
Specification	
Insulation Resistance	100MΩ.500VDC
Dielectric Strength	BCC 1500V 1 min
	BOC 750V 1 min
Operate Time	10ms/5ms
Terminal Type	PCB
Coil Ratings	
Norminal Coil Power	0.36W,0.45W

Coil Versions					
Nominal Voltage VDC	Coil Resistance at 20°C ±10%(Ω)		Max Operate Voltage (VDC)	Min Release Voltage (VDC)	Max Applicable Voltage (VDC)
	0.36W	0.45W			
3	25	20	2.25	0.3	3.9
5	70	55	3.75	0.5	6.5
6	100	80	4.50	0.6	7.8
9	220	180	6.75	0.9	11.7
12	400	320	9.00	1.2	15.6
24	1600	1280	18.00	2.4	31.2
48	6400	5100	36.00	4.8	62.4

Dimension.Bottom View

1C



1A

