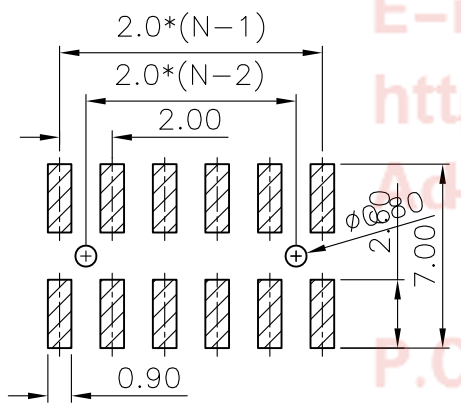
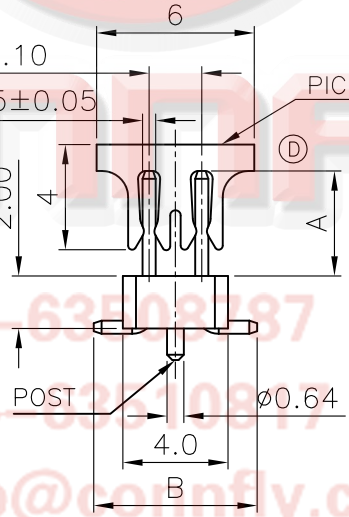
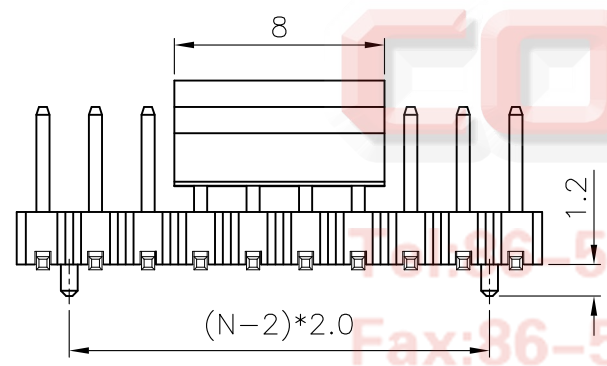
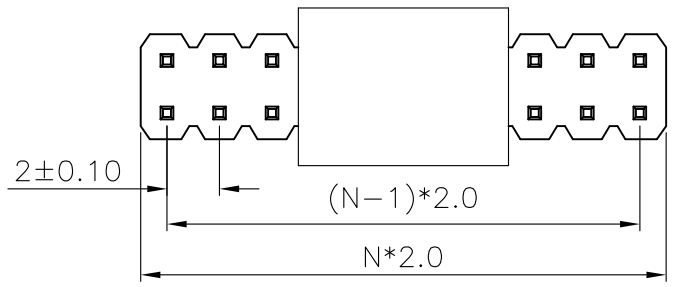


REV.	DESCRIPTION	DRAWN	CHECKED	APPROVED
A	NEW RELEASE	LJC 05/08/05'	~	LJC 05/08/05'
B	整理图纸	YCH 07/19/08'	~	LJC 07/19/08'
C	ADD P/N CODE	YCH 12/03/13'	~	LJC 12/03/13'
D	PICK UP CHANGE	JLZ 07/09/15'	~	

N=NUMBER OF CONTACTS/2



RECOMMEND PCB LAYOUT
(TOLERANCE=±0.05)

TYPE	DIM A	DIM B
1	4.00	6.20
2	3.50	6.20

NOTES:

- MATERIAL
 - INSULATOR: THERMOPLASTIC(UL 94V-0).
 - CONTACT MATERIAL: COPPER ALLOY.
- SPECIFICATION
 - CURRENT RATING: 1.5 Amp.
 - INSULATION RESISTANCE: 1000MΩ Min.
 - DIELECTRIC WITHSTANDING: 600VAC.
 - CONTACT RESISTANCE: 20mΩ Max.
 - OPERATING TEMPERATURE: -40°C TO +105°C.
- PRODUCT NUMBER CODE:

DS1025-08 - X X X X X X X X

- PLATING LEVEL(FOR GOLD ONLY)
3A:LEVEL 3A B:LEVEL B
- DIM A,B Type
1: TYPE 1
2: TYPE 2
- POST SUPPORT TYPE
S: W/ POST
X: W/O POST
- PACKING TYPE
A: POLYBAG
B: TUBE
R: TAPE ON REEL
T: TRAY
- PICKUP SUPPORT
S: W/ PICKUP
X: W/O PICKUP
- HOUSING COLOR
B:BLACK
- CONTACT PLATING
8: FULL GOLD FLASH
- CONNECTOR TYPE
P:PLUG
- No.OF CONTACTS
2*2-2*X
- SERIES No.
DS1025-08

GENERAL TOLERANCE		ANGLE TOLERANCE	
X.	±0.60	X.	±5°
.X	±0.38	.X	±3°
.XX	±0.25	.XX	±2°

PROJECTION	TITLE	2.0 PITCH PIN HEADER SMT TYPE DUAL ROW W/O LOCATE PEG	
UNITS	mm	SHEET SIZE	A4
SHEET SIZE	A4	SERIES	DS1025-08 SERIES

DRAWING TYPE	CUSTOMER		
SCALE	1:1	SHEET	1 OF 1
DRAWING NO.	C-DS1025-08-XXXXXXX-X-D		

晨翔电子有限公司
CONNFly CONNFly ELECTRONIC CO. LTD

Tel: 86-574-63503187
 Fax: 86-574-63510877
 E-mail: sale@connfly.com
 http://www.connfly.com
 Add: East Industry Zone KuangYan
 Town Cixi Ningbo China
 P.C: 315333