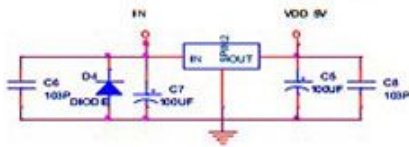


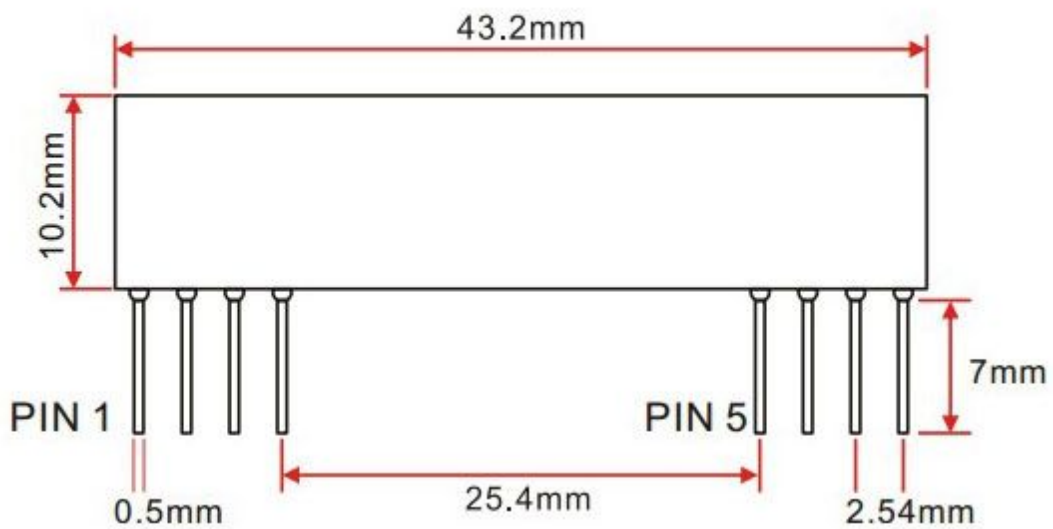
Please note that if the EMI is too high, it must have to increase parts BEAD



The road map set out in all the patents, copyrights, trade secrets or technology obsessed secretary (Know-How) and ownership, without the written consent of the Company, will be allowed to copy, photography and reproduced, the company will retain the right to legal recourse.

Size

(unit: mm)



Electrical Specification

Parameter	Specification			Unit	Condition
	Min	Type	Max		
Frequency Range	433.62	433.92	434.22	MHz	DC
Receiver Sensitivity	-114		-118	dBm	
Data Rate	0.058		12	KBaud	
Supply Voltage, VDD	3.5		5.5	V	
Current	5.7		7.3	mA	
Operating Temperature	-20		+70	°C	

Pin Assignment

Pin	Pin Name	Description
1	ANT	RF Input
2	GND	RF GND
3	GND	RF GND
4	Vcc	Power Supply V+
5	Vcc	Power Supply V+
6	NC	--
7	DATA	Digital DATA Output
8	DGND	Power Supply GND