

HD74HC242/HD74HC243

Quad. Bus Transceivers (with 3-state outputs)
Quad. Bus Transceivers (with noninverted 3-state outputs)

HITACHI

Description

The HD74HC242 is an inverting buffer and the HD74HC243 is a noninverting buffer. Each device has one active high enable (GBA), and one active low enable ($\overline{\text{GAB}}$). GBA enables the A output and $\overline{\text{GAB}}$ enables the B outputs. The device does not have schmitt trigger inputs.

Features

- High Speed Operation: $t_{pd} = 10 \text{ ns typ}$ ($C_L = 50 \text{ pF}$)
- High Output Current: Fanout of 15 LSTTL Loads
- Wide Operating Voltage: $V_{CC} = 2 \text{ to } 6 \text{ V}$
- Low Input Current: $1 \mu\text{A max}$
- Low Quiescent Supply Current: $I_{CC}(\text{static}) = 4 \mu\text{A max}$ ($T_a = 25^\circ\text{C}$)

Function Table

Control inputs		HD74HC242		HC74HC243	
		Data Port Status		Data Port Status	
$\overline{\text{GAB}}$	GBA	A	B	A	B
H	H	$\overline{\text{O}}$	I	O	I
L	H	Z	Z	Z	Z
H	L	Z	Z	Z	Z
L	L	I	$\overline{\text{O}}$	I	O

I : Input

O : Output

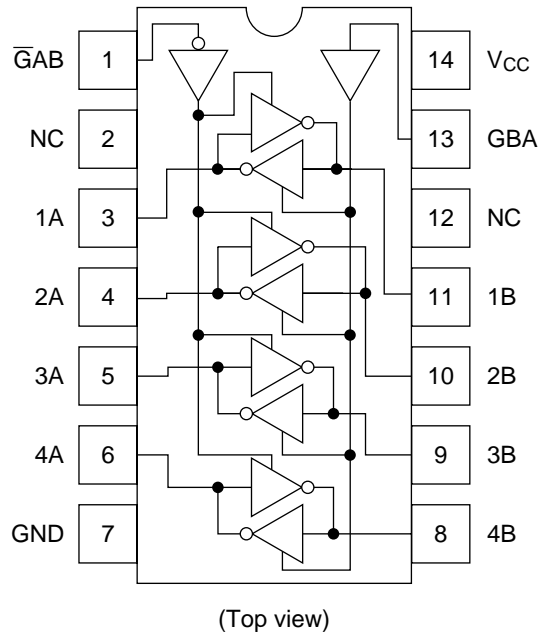
$\overline{\text{O}}$: Inverting Output

Z : High Impedance

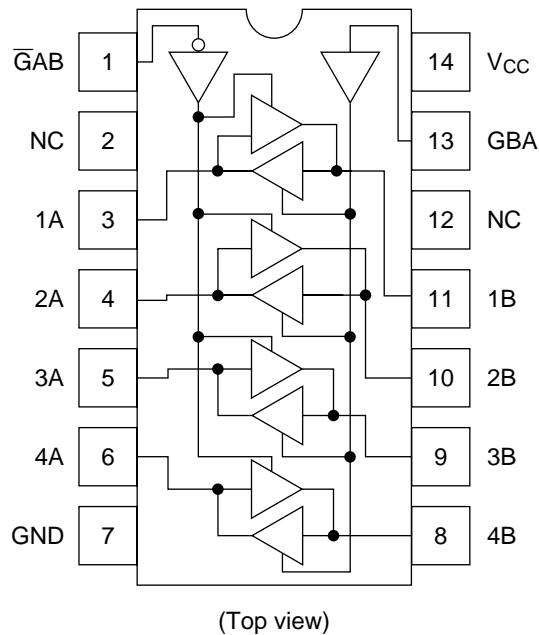
HD74HC242/HD74HC243

Pin Arrangement

HD74HC242



HD74HC243



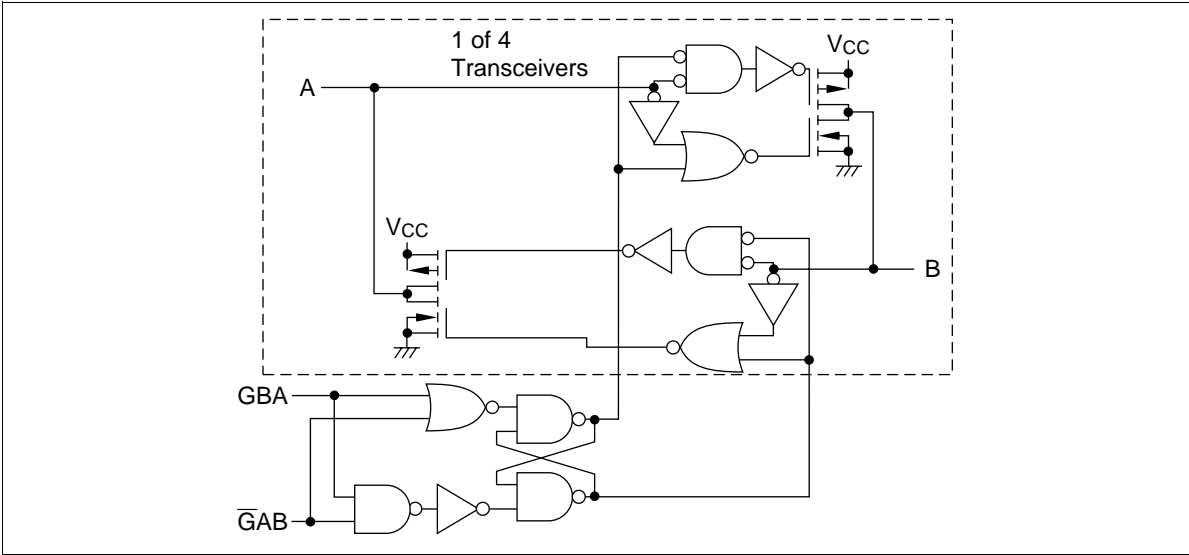
HITACHI

Absolute Maximum Ratings

Item	Symbol	Rating	Unit
Supply voltage range	V_{CC}	-0.5 to +7.0	V
Input voltage	V_{IN}	-0.5 to $V_{CC} + 0.5$	V
Output voltage	V_{OUT}	-0.5 to $V_{CC} + 0.5$	V
DC current drain per pin	I_{OUT}	± 35	mA
DC current drain per VCC, GND	I_{CC}, I_{GND}	± 75	mA
DC input diode current	I_{IK}	± 20	mA
DC output diode current	I_{OK}	± 20	mA
Power Dissipation per package	P_T	500	mW
Storage temperature	Tstg	-65 to +150	$^{\circ}C$

Logic Diagram

HD74HC242



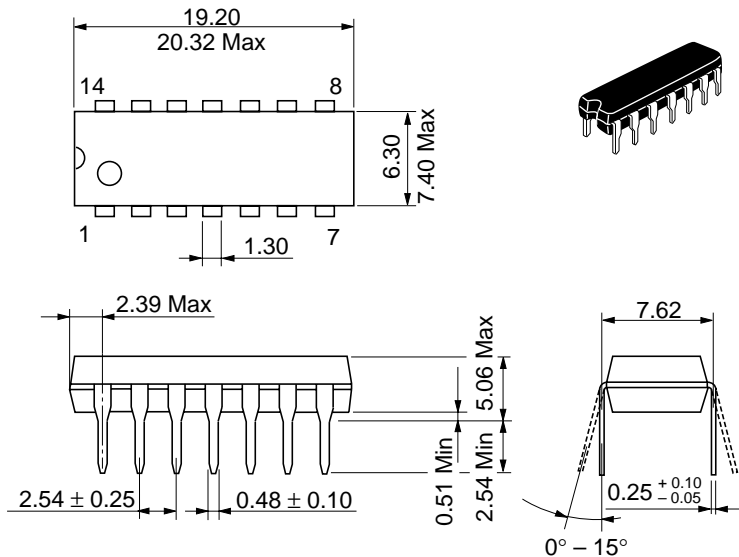
DC Characteristics

Item	Symbol	V _{CC} (V)	Ta = 25°C		Ta = -40 to +85°C		Unit	Test Conditions	
			Min	Typ	Max	Min			Max
Input voltage	V _{IH}	2.0	1.5	—	—	1.5	—	V	
		4.5	3.15	—	—	3.15	—		
		6.0	4.2	—	—	4.2	—		
	V _{IL}	2.0	—	—	0.5	—	0.5		V
		4.5	—	—	1.35	—	1.35		
		6.0	—	—	1.8	—	1.8		
Output voltage	V _{OH}	2.0	1.9	2.0	—	1.9	—	Vin = V _{IH} or V _{IL} I _{OH} = -20 μA	
		4.5	4.4	4.5	—	4.4	—		
		6.0	5.9	6.0	—	5.9	—		
		4.5	4.18	—	—	4.13	—		I _{OH} = -6 mA
		6.0	5.68	—	—	5.63	—		I _{OH} = -7.8 mA
		6.0	—	0.0	0.1	—	0.1		Vin = V _{IH} or V _{IL} I _{OL} = 20 μA
	V _{OL}	4.5	—	0.0	0.1	—	0.1		
		6.0	—	0.0	0.1	—	0.1		
		4.5	—	—	0.26	—	0.33	I _{OL} = 6 mA	
		6.0	—	—	0.26	—	0.33	I _{OL} = 7.8 mA	
Off-state output current	I _{OZ}	6.0	—	—	±0.5	—	±5.0	μA	Vin = V _{IH} or V _{IL} , Vout = V _{CC} or GND
Input current	I _{in}	6.0	—	—	±0.1	—	±1.0	μA	Vin = V _{CC} or GND
Quiescent supply current	I _{CC}	6.0	—	—	4.0	—	40	μA	Vin = V _{CC} or GND, Iout = 0 μA

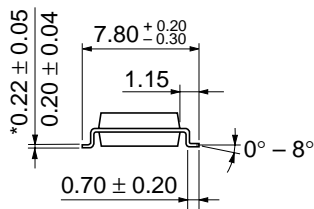
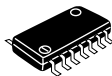
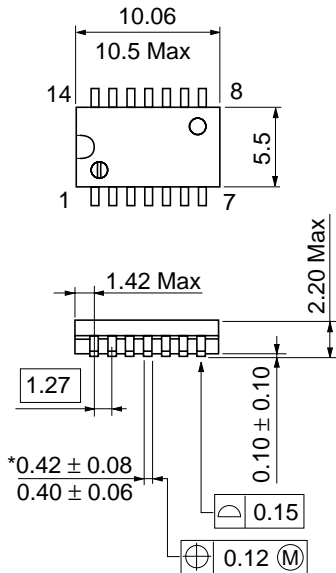
HD74HC242/HD74HC243

AC Characteristics ($C_L = 50$ pF, Input $t_r = t_f = 6$ ns)

Item	Symbol	V_{CC} (V)	$T_a = 25^\circ\text{C}$		$T_a = -40$ to $+85^\circ\text{C}$		Unit	Test Conditions
			Min	Typ	Max	Min		
Propagation delay time	t_{PHL}	2.0	—	—	90	—	115	ns
		4.5	—	10	18	—	23	
		6.0	—	—	15	—	20	
	t_{PLH}	2.0	—	—	90	—	115	ns
		4.5	—	10	18	—	23	
		6.0	—	—	15	—	20	
Output enable time	t_{ZL}	2.0	—	—	150	—	190	ns
		4.5	—	14	30	—	38	
		6.0	—	—	26	—	33	
	t_{ZH}	2.0	—	—	150	—	190	ns
		4.5	—	15	30	—	38	
		6.0	—	—	26	—	33	
Output disable time	t_{LZ}	2.0	—	—	150	—	190	ns
		4.5	—	18	30	—	38	
		6.0	—	—	26	—	33	
	t_{HZ}	2.0	—	—	150	—	190	ns
		4.5	—	20	30	—	38	
		6.0	—	—	26	—	33	
Output rise/fall time	t_{TLH}	2.0	—	—	60	—	75	ns
	t_{THL}	4.5	—	4	12	—	15	
		6.0	—	—	10	—	13	
Input capacitance	C_{in}	—	—	5	10	—	10	pF

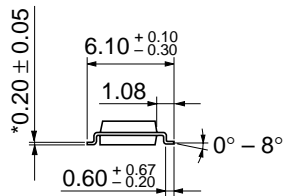
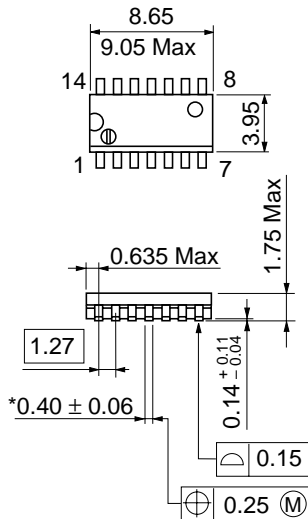


Hitachi Code	DP-14
JEDEC	Conforms
EIAJ	Conforms
Weight (reference value)	0.97 g



Hitachi Code	FP-14DA
JEDEC	—
EIAJ	Conforms
Weight (reference value)	0.23 g

*Dimension including the plating thickness
Base material dimension



Hitachi Code	FP-14DN
JEDEC	Conforms
EIAJ	Conforms
Weight (reference value)	0.13 g