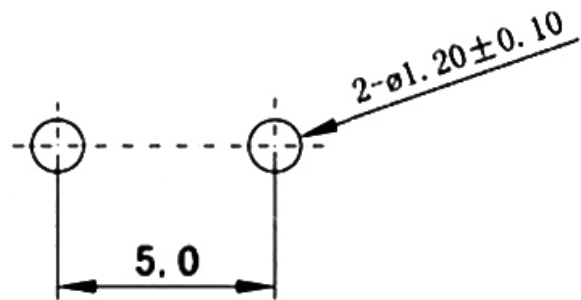
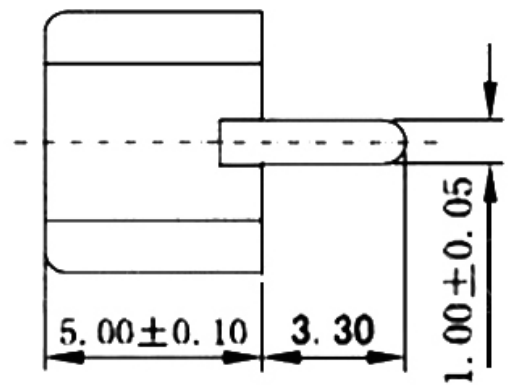
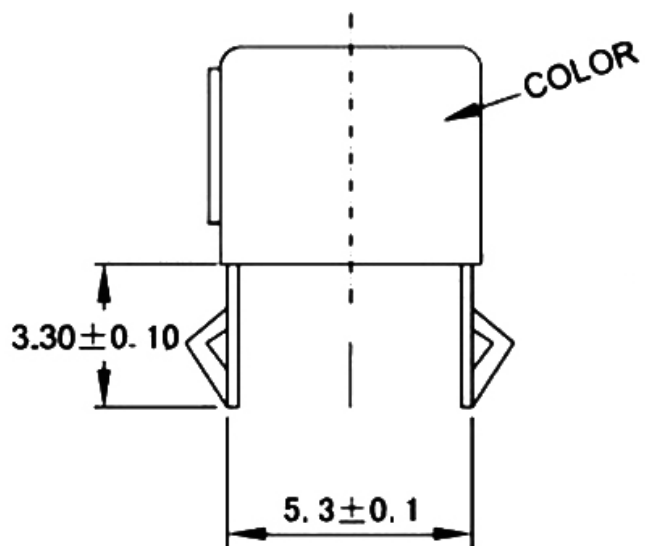
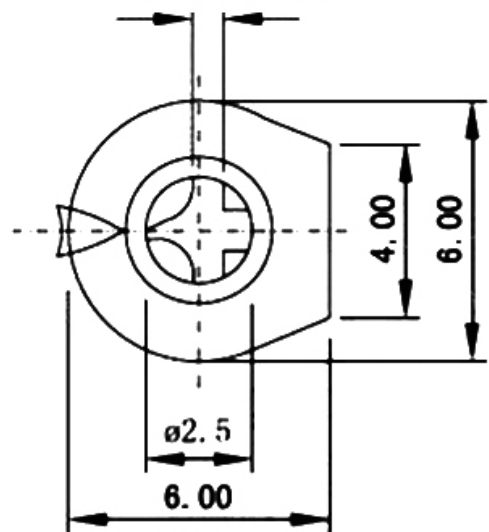


0.6±0.2 DIP 0.5 DRIVER HOLE



Nominal Capacitance (PF)	CapRange(PF)		Cap tolerance	TempCoeff(ppm/°C)	QVALUE	Remark
	Min	Max				
3	1.8	3	3+100%-0%	NPO ± 250	> 500	Black
5	2.4	5	5+100%-0%			Blue
7	2.8	7	7+100%-0%			Blue
10	3.8	10	10+100%-0%	N450 ± 300		White
20	6.5	20	20+100%-0%	N750 ± 300		Red
30	9	30	30+100%-0%	N1000 ± 500		Green
40	12	40	40+100%-0%	N2200 ± 800	> 300	Yellow
50	17	50	50+100%-0%		> 200	Brown
60	22	60	60+100%-0%			Brown
70	28	70	70+100%-0%			Brown
120	38	120	120+50%-0%			Brown