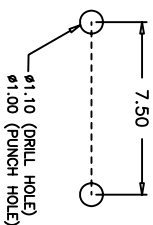
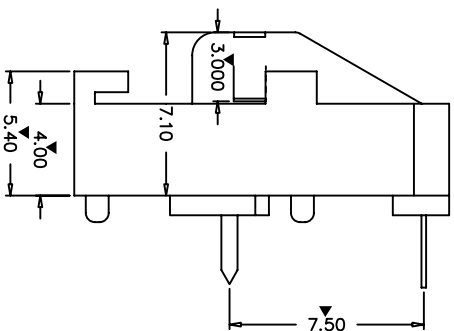
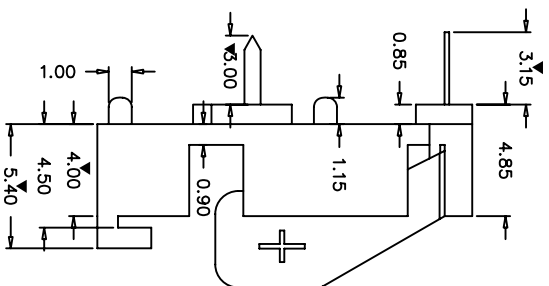
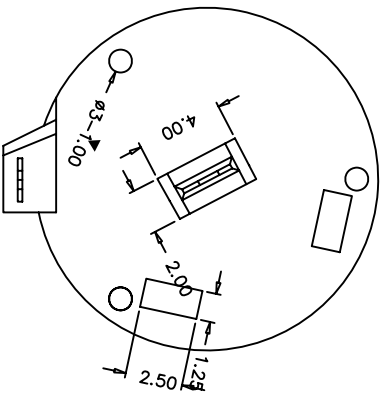
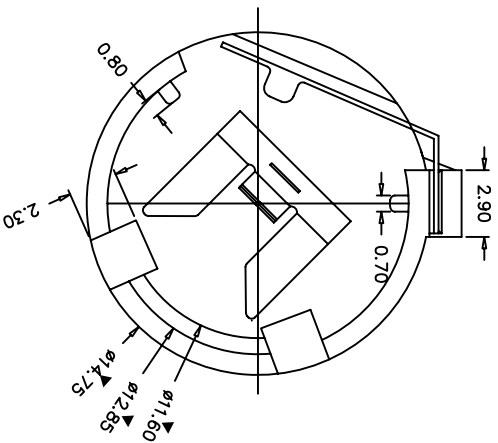
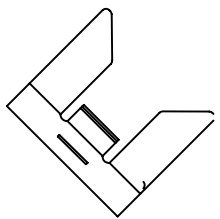


REV.	MATTER	APP.	DATE
A			



PCB LAYOUT

NOTE:
 1. MATERIAL:
 a. HOUSING: THERMOPLASTIC GLASS FIBRE UL94V-0
 b. CONTACT: PHOSPHOR BRONZE
 (SURFACE PLATING: Sn100U)
 SEE ORDERING INFORMATION
 2. ELECTRIC:
 a. CONTACT RESISTANCE: 30 MILLIOHMS MAX
 b. INSULATION RESISTANCE: 1000 MEGA OHMS MIN
 c. DIELECTRIC VOLTAGE: 750V AC ONE SEC LEVEL
 d. OPERATING TEMPERATURE: -55° C ~ +85° C

ORDERING INFORMATION

BS-12-A**0*0012

PLATING: J-Sn100U"~120U"
 K-Sn150U"
 CRUST: 0-WITHOUT
 DIP 90° TYPE
 BS-12系列
 电池座系列

MATERIAL:
 1A-PBT WHITE
 1B-PBT BLACK
 2A-PA66 WHITE
 2B-PA66 BLACK
 3A-PA6T WHITE
 3B-PA6T BLACK

注: ▼为重点管控尺寸

TOLERANCE		Tolerance: Unless otherwise specified	
LINEAR	ANGLE		
x, ±1	x', ±5°		
.x, ±0.38	.x', ±2°		
.xx, ±0.25	.xx', ±1°		
.xxx, ±0.10			

NO.	PART NAME	MATERIAL	COLOR/FINISHED
3	TERMINAL-2	PHOSPHOR BRONZE	Sn-Plated
2	TERMINAL-1	PHOSPHOR BRONZE	Sn-Plated
1	HOUSING	PBT	BLACK

日期 DATE 单位 UNITS 审核 CHECK

2009.8.28 mm 周瑞才

比例 SCALE 制图 DRAW 设计 DESIGN

1/1 杨锋 薛正勇

BATTERY HDLDER

PART NO.

BS-12-A1B0J0012

TITLE:

两PIN电池座卧式 (BS-1220-1)

MY 深圳市美阳电子有限公司
 SHENZHEN MYOUNG ELECTRONIC CO., LTD.