

# DC Mini Waterproof Electromagnet Solenoid 12v Electromagnet Small Electro 24V Coil Electric Magnet 0.3~120kg

## Description:

- Item: Holding Electric Magnet
- Material: Metal
- Voltage: DC12V /24V
- Working environment temperature: -20°C ~ 130°C.
- Holding Force : 0.3KG-120KG
- Wire length is about 300mm
- Electric lifting magnet.
- Powerful and compact.
- Smooth and flat surface.
- Low consumption and reliable.
- Ambient temperature within 130 degrees.

Widely applied in automations: assembly line, sorting machine, mechanical arm, experimental facility, etc

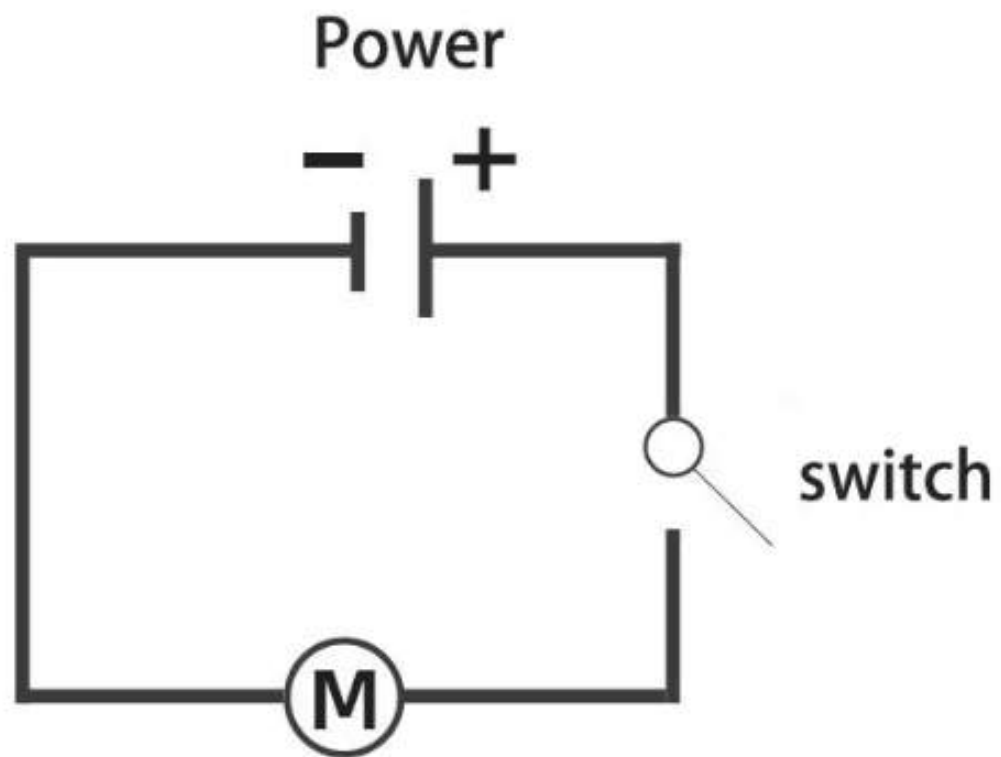
Electromagnet in working condition electromagnetic conversion would produce a certain amount of heat, electricity more frequently the higher temperature, which is a normal phenomenon.

1. The adsorbed object must be iron;
2. Select the correct voltage and product model;
3. The contact surface is smooth, flat and clean;
4. The surface of the magnet must be closely attached to the adsorbed object without any gap;
5. The area of the adsorbed object shall be greater than or equal to the maximum diameter of the magnet;
6. The object to be sucked must be close, the middle can't be interspersed with objects or gaps (Contrary to any conditions, suction will be reduced, not the maximum suction.)

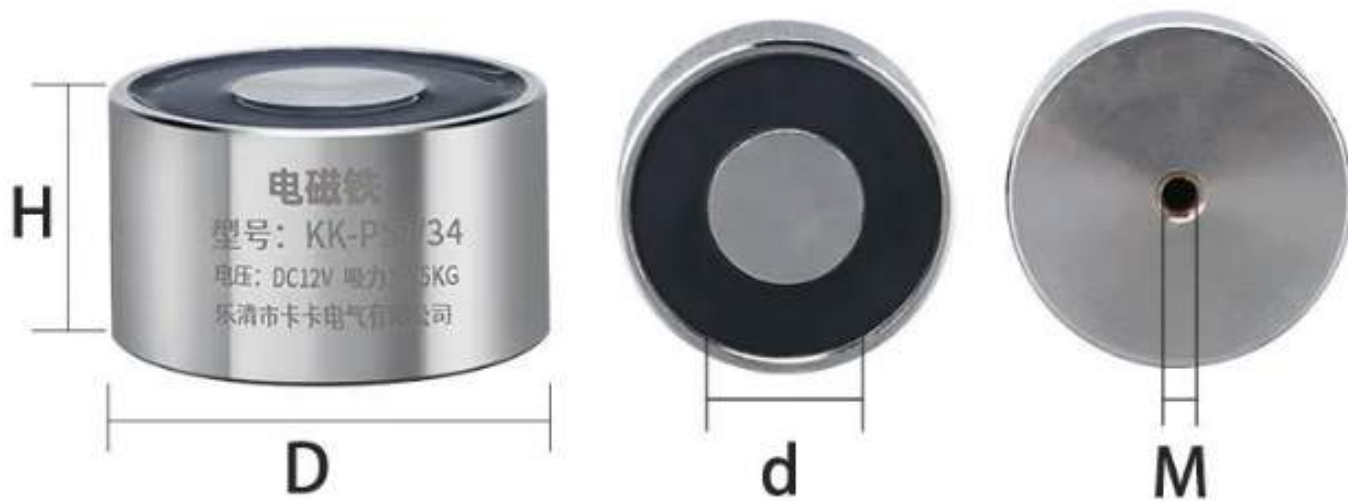
Notes: We often change the labels for convenient production! Please do not care about it!

## Installation and applicable methods:

1. Use DC power supply, usually 5V, 6V, 12V and 24V
2. Wiring diagram (regardless of positive and negative poles)



Electric sucker



型号	D(mm)	d(mm)	H(mm)	M(mm)	P(mm)	L(mm)	电压	电流	功率	最大吸力值	测试钢板厚度
KK-P13/27	13	5	27	3	8	330	DC12V	100mA	1.2W	1Kg	2mm
							DC24V	80mA	2W	1Kg	2mm
KK-P13/30	13	5	30	3	8	330	DC12V	100mA	1.2W	1Kg	2mm
							DC24V	80mA	2W	1Kg	2mm
KK-P20/15	20	8	15	4	10	330	DC5V	0.22A	1W	3Kg	2mm
							DC6V	0.25A	1.5W	3Kg	2mm
							DC12V	0.2A	2.5W	3Kg	2mm
							DC24V	0.1A	2.5W	3Kg	2mm
KK-P25/11	25	10	11	4	11	330	DC12V	0.15A	1.8W	5Kg	3mm
							DC24V	0.1A	2.5W	5Kg	3mm
KK-P25/20	25	12	20	4	10	330	DC5V	0.3A	1.5W	8Kg	3mm
							DC6V	0.35A	2W	8Kg	3mm
							DC12V	0.13A	1.5W	8Kg	3mm
							DC24V	80mA	2W	8Kg	3mm
KK-P30/22	30	14	22	4	10	330	DC5V	0.4A	2W	15Kg	4mm
							DC6V	0.48A	3W	15Kg	4mm
							DC12V	0.25A	3W	15Kg	4mm
							DC24V	0.12A	3W	15Kg	4mm
KK-P30/25	30	14	25	4	10	330	DC5V	0.4A	2W	15Kg	4mm
							DC6V	0.48A	3W	15Kg	4mm
							DC12V	0.25A	3W	15Kg	4mm
							DC24V	0.12A	3W	15Kg	4mm
KK-P34/18	34	16	18	4	10	330	DC5V	0.3A	1.5W	20Kg	4mm
							DC6V	0.36A	2W	20Kg	4mm
							DC12V	0.28A	3W	20Kg	4mm
							DC24V	0.15A	3.5W	20Kg	4mm
KK-P34/25	34	16	25	5	12	330	DC5V	0.45A	2.5W	25Kg	5mm
							DC6V	0.55A	3W	25Kg	5mm
							DC12V	0.3A	3.5W	25Kg	5mm
							DC24V	0.17A	4W	25Kg	5mm
KK-P40/20	40	18	20	5	12	330	DC5V	0.6A	3W	30Kg	5mm
							DC6V	0.7A	4W	30Kg	5mm
							DC12V	0.28A	3.5W	30Kg	5mm
							DC24V	0.15A	3.5W	30Kg	5mm
KK-P40/25	40	18	25	5	12	330	DC5V	0.6A	3W	35Kg	5mm
							DC6V	0.7A	4W	35Kg	5mm
							DC12V	0.3A	3.5W	35Kg	5mm
							DC24V	0.18A	4.5W	35Kg	5mm
KK-P49/21	49	23	21	6	15	330	DC12V	0.4A	5W	45Kg	6mm
							DC24V	0.25A	6W	45Kg	6mm
KK-P50/27	50	23	27	6	15	330	DC12V	0.5A	6W	55Kg	6mm
							DC24V	0.27A	6.5W	55Kg	6mm
KK-P50/30	50	23	30	6	15	330	DC12V	0.5A	6W	60Kg	6mm
							DC24V	0.27A	6.5W	60Kg	6mm
KK-P59/34	59	27	34	8	18	330	DC12V	0.84A	10W	80Kg	6mm
							DC24V	0.4A	10W	80Kg	6mm
KK-P60/60	60	28	50	8	25	330	DC12V	1.2A	15W	100Kg	6mm
							DC24V	0.5A	15W	100Kg	6mm
KK-P65/30	65	26	30	8	18	330	DC12V	0.85A	10W	85Kg	6mm
							DC24V	0.4A	10W	85Kg	6mm
KK-P70/9	70	32	10	5	8	330	DC12V	0.75A	9W	25Kg	4mm
							DC24V	0.4A	9.5W	25Kg	4mm
KK-P70/10	70	32	10	5	8	330	DC12V	0.75A	9W	25Kg	4mm
							DC24V	0.4A	9.5W	25Kg	4mm
KK-P80/10	80	34	10	5	10	330	DC12V	0.6A	7W	25Kg	4mm
							DC24V	0.4A	9.5W	25Kg	4mm
KK-P80/38	80	34	38	10	25	300	DC12V	0.9A	11W	120Kg	10mm
							DC24V	0.47A	11W	120Kg	10mm
KK-P100/40	100	45	40	10	25	340	DC12V	1A	12W	240Kg	12mm
							DC24V	0.55A	13W	240Kg	12mm
KK-P120/50	120	60	50	12	30	350	DC12V	1.1A	15W	500Kg	12mm
							DC24V	0.5A	15W	500Kg	12mm
KK-P150/50	150	75	60	14	35	350	DC12V	1.5A	35W	600Kg	12mm
							DC24V	1.2A	35W	600Kg	12mm
KK-P160/60	160	80	60	14	35	350	DC12V	1.5A	35W	800Kg	15mm
							DC24V	1.2A	35W	800Kg	15mm

## Different thickness \* suction parameters

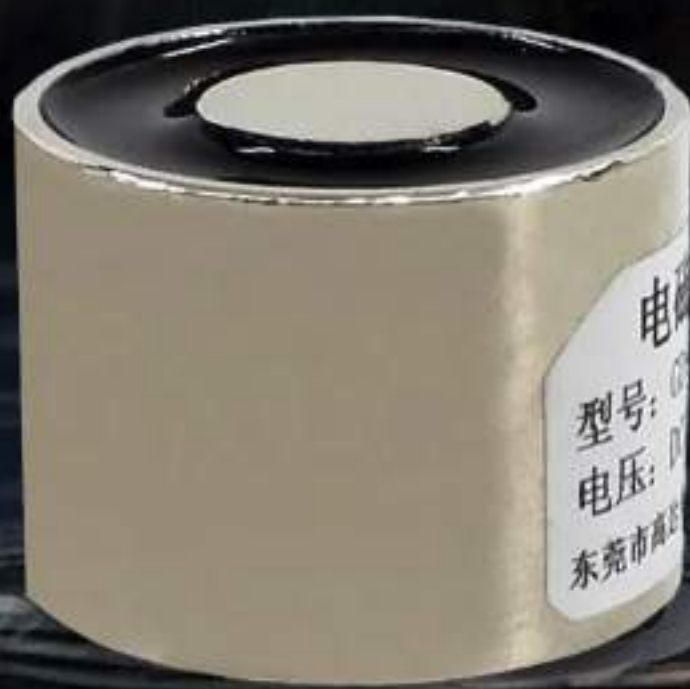
吸力	钢板厚度 1mm	钢板厚度 2mm	钢板厚度 3mm	钢板厚度 4mm	钢板厚度 5mm	钢板厚度 6mm	钢板厚度 8mm	钢板厚度 10mm	钢板厚度 12mm
KK-P13/27	0.8kg	1kg							
KK-P13/30	0.8kg	1kg							
KK-P20/15	2kg	3kg							
KK-P25/11	2.5kg	3.5kg	5kg						
KK-P25/20	2.5kg	6kg	8kg						
KK-P30/22	2.5kg	9kg	13kg	15kg					
KK-P30/25	2.5kg	9kg	13kg	15kg					
KK-P34/18	2.5kg	9kg	15kg	20kg					
KK-P34/25	3kg	9kg	17kg	22kg	25kg				
KK-P40/20	3kg	10kg	20kg	25kg	30kg				
KK-P40/25	3.5kg	10kg	20kg	26kg	35kg				
KK-P45/30	4kg	12kg	25kg	30kg	45kg				
KK-P49/21	4kg	12kg	22kg	28kg	40kg	45kg			
KK-P50/27	4.5kg	13kg	25kg	40kg	50kg	55kg			
KK-P50/30	4.5kg	13kg	25kg	40kg	55kg	60kg			
KK-P59/34	5.5kg	15kg	30kg	50kg	70kg	80kg			
KK-P65/30	5.5kg	15kg	30kg	50kg	75kg	85kg			
KK-P70/10	4kg	10kg	15kg	20kg					
KK-P80/10	4kg	10kg	15kg	20kg					
KK-P80/38	6kg	15kg	35kg	50kg	85kg	100kg	110kg	120kg	
KK-P100/40	7kg	18kg	40kg	55kg	100kg	120kg	160kg	200kg	240kg

## Spacing ~ suction parameters

型号	间隔 1mm	间隔 2mm	间隔 3mm	间隔 4mm	间隔 5mm	间隔 6mm	间隔 7mm	间隔 8mm	间隔 9mm	间隔 10mm
KK-P20/15	0.5kg									
KK-P25/11	0.5kg									
KK-P25/20	0.5kg									
KK-P30/22	1.5kg	0.5kg								
KK-P30/25	1.5kg	0.5kg								
KK-P34/18	1.5kg	0.7kg								
KK-P34/25	1.5kg	0.7kg								
KK-P40/20	1.8kg	0.8kg								
KK-P40/25	1.8kg	0.8kg								
KK-P45/30	3kg	1.3kg	0.7kg							
KK-P49/21	3kg	1.2kg	0.7kg							
KK-P50/27	5kg	1.7kg	0.8kg	0.5kg						
KK-P50/30	5kg	2kg	1kg	0.7kg						
KK-P59/34	10kg	4kg	1.5kg	1kg	0.5kg					
KK-P65/30	10kg	4.5kg	1.5kg	1kg	0.5kg					
KK-P70/10	1.7kg	1kg	0.5kg							
KK-P80/10	1.7kg	1kg	0.5kg							
KK-P80/38	20kg	10kg	4kg	3kg	2kg	1.5kg	1.2kg	1kg	0.7kg	0.5kg
KK-P100/40	24kg	13kg	5kg	3.5kg	2.5kg	1.8kg	1.3kg	1kg	0.7kg	0.5kg

# DC suction cup electromagnet

— .



# Excellence comes from heart



High quality material



Strong suction



Efficient and stable



Convenient installation



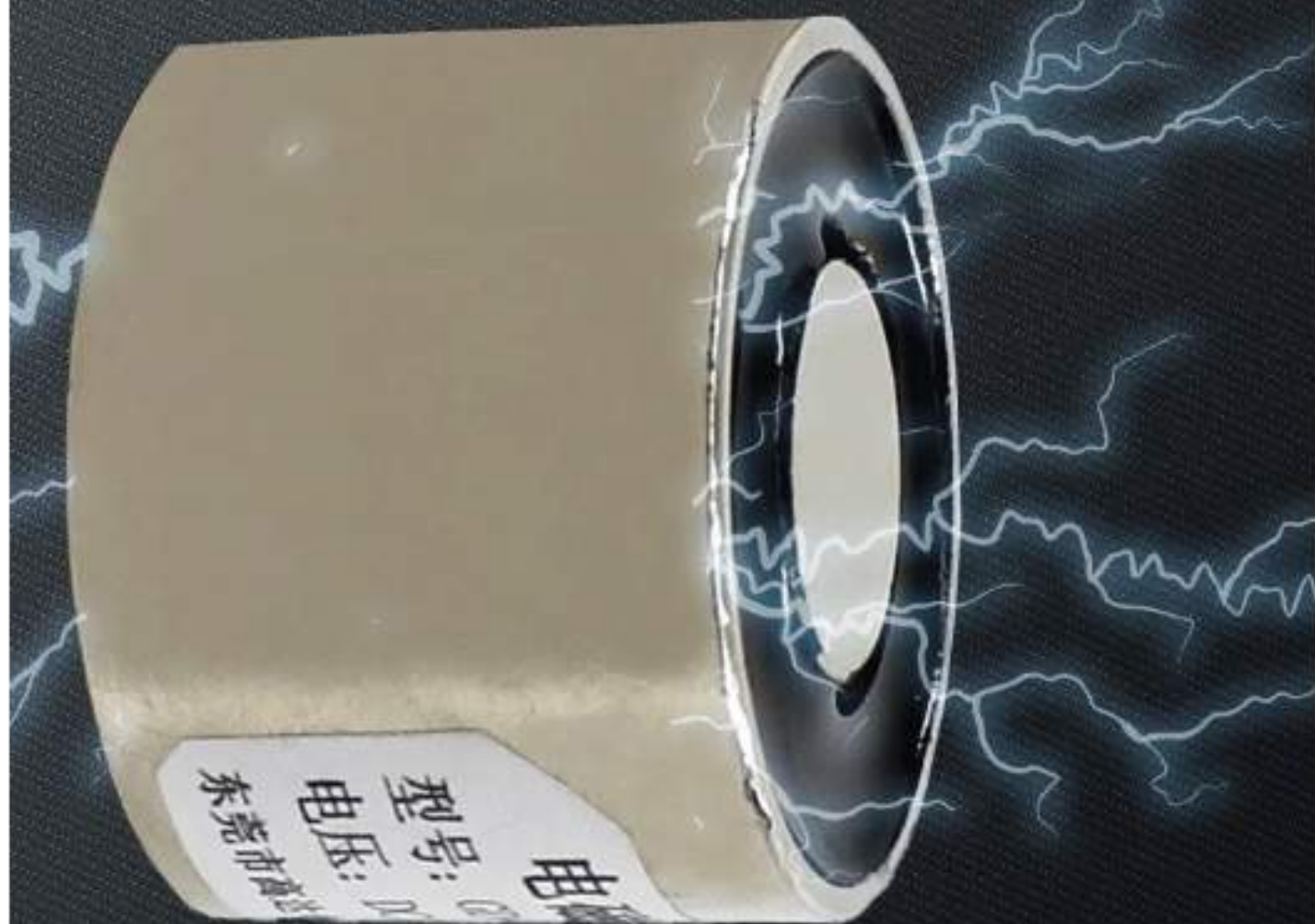
Durable



Non magnetic power off

Wide adsorption area  
Stronger suction

⋮





# Strong insulation and conductivity to reduce faults

Red copper coil



**Fully enclosed structure**

**Oil and water proof**

⋮



# Widely applicable

—



# Complete specifications

## Support customization

---





Electric lifting magnet.  
Powerful and compact.  
Smooth and flat surface.  
Low consumption and reliable.  
Ambient temperature within 130 degrees.  
Widely applied in automations: assembly line, sorting machine, mechanical arm, experimental facility,  
Electromagnet in working condition electromagnetic conversion would produce a certain amount of h  
phenomenon.