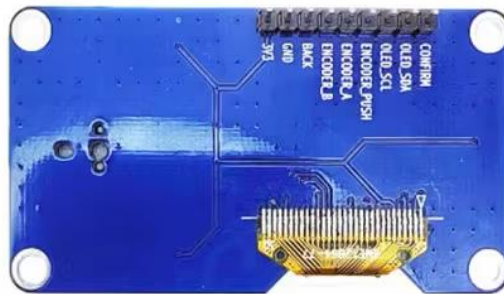


2. 模块外观 Module appearance



2. Module appearance

1.3 inch OLED



1.3 inch OLED + EC 11 rotary encoder
OLED driver chip: SH 1106
OLED interface: IIC
EC11: Plum handle, handle length 15mm, 20
Pulse 20 positioning, 5 feet with switch

0.96 inch OLED

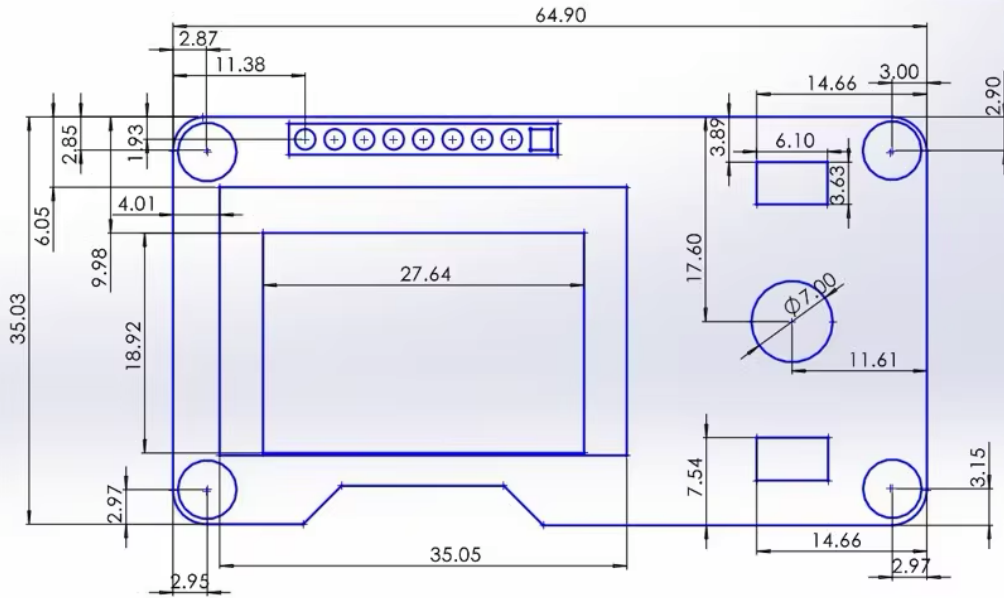


0.96 inch OLED + EC 11 rotary encoder
OLED driver chip: SSD 1306
OLED interface: IIC
EC11: Plum handle, handle length 15mm, 20
Pulse 20 positioning, 5 feet with switch

Black aluminum alloy knob cap

3. 尺寸(size)

单位: mm
4个固定孔为M3孔

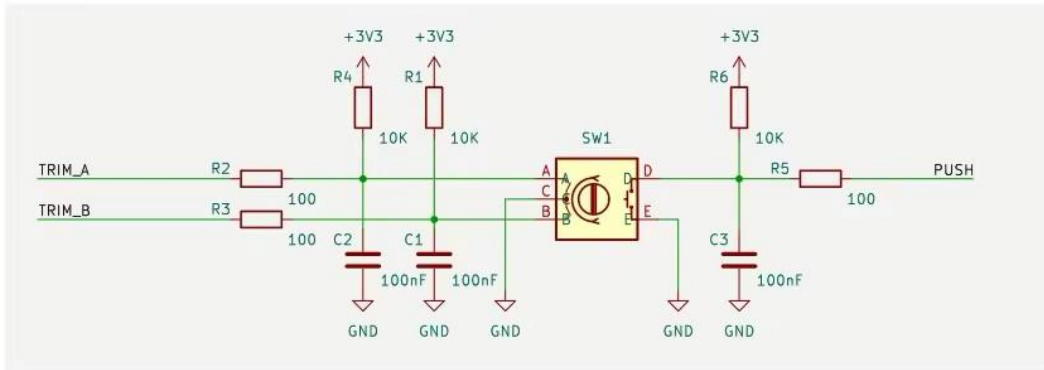


2. 模块外观Module appearance



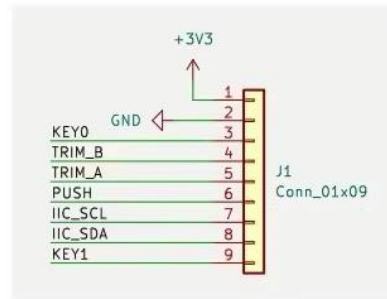
7. 电路连接 (Circuit connection)

EC11旋转编码器电路:



5. Interface Description (Interface description)

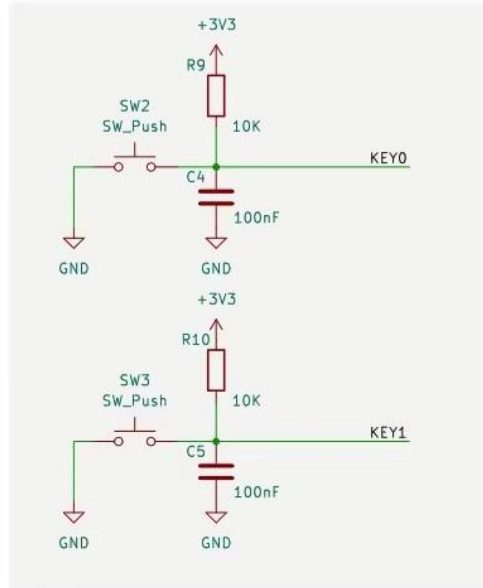
CON(KEY 1): Confirm KEY interface
 SDA: data interface for OLED screen IIC communication
 SCL: clock interface for OLED screen IIC communication
 PSH: Key interface of EC11
 TRA, TRB: Phase A, Phase B of EC11
 BAK(KEY 0): Return button
 GND: power ground
 VCC:3.3V power positive



7.电路连接(Circuit connection)

返回键: BAK(KEY0)
确认键: CON(KEY1)

电路图



7.电路连接(Circuit connection)

OLED原理图:

