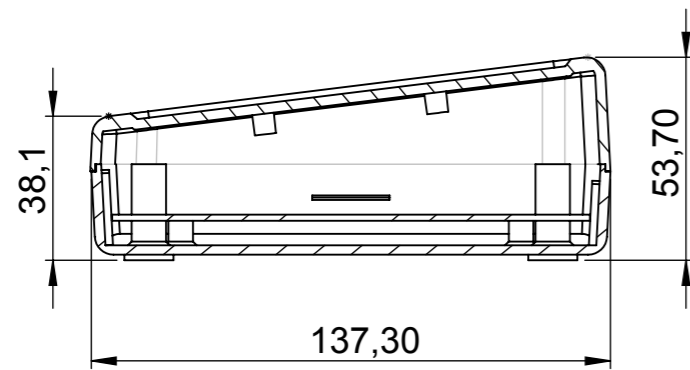
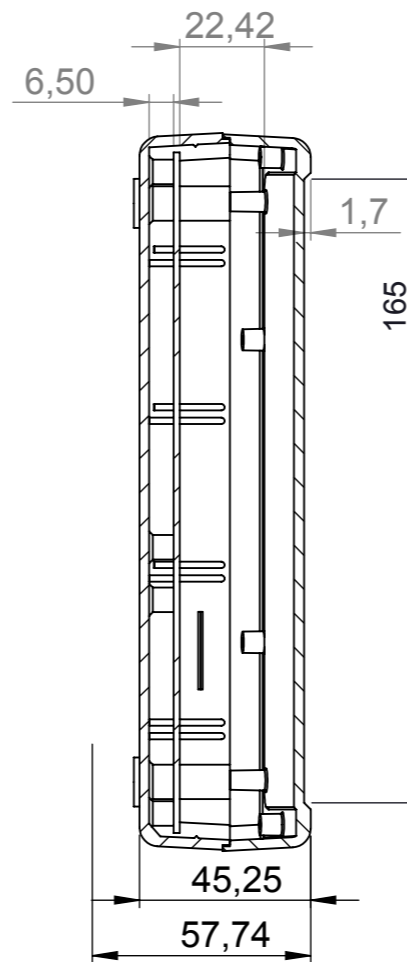
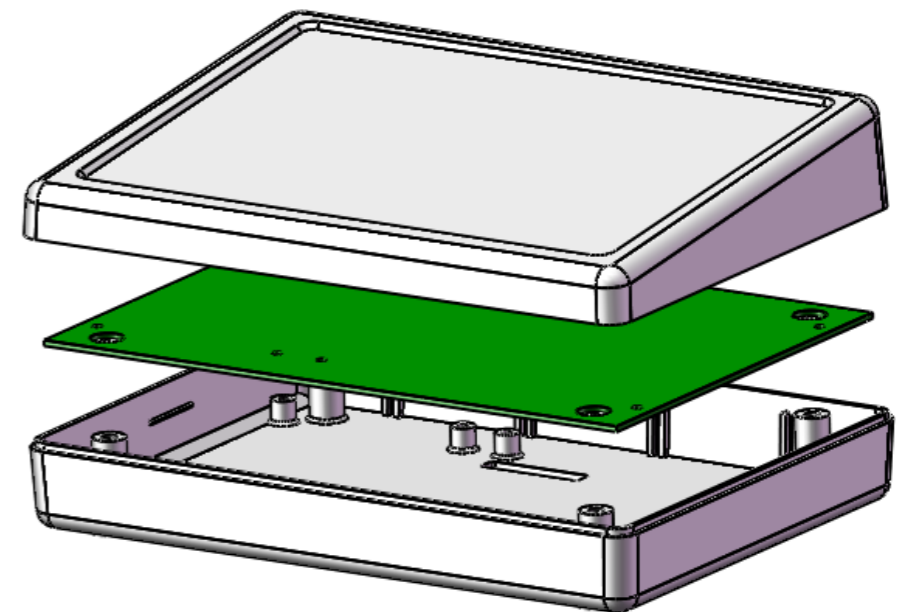



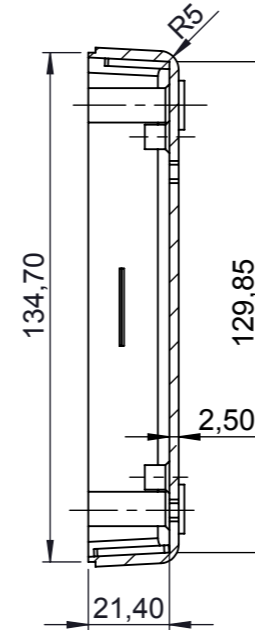
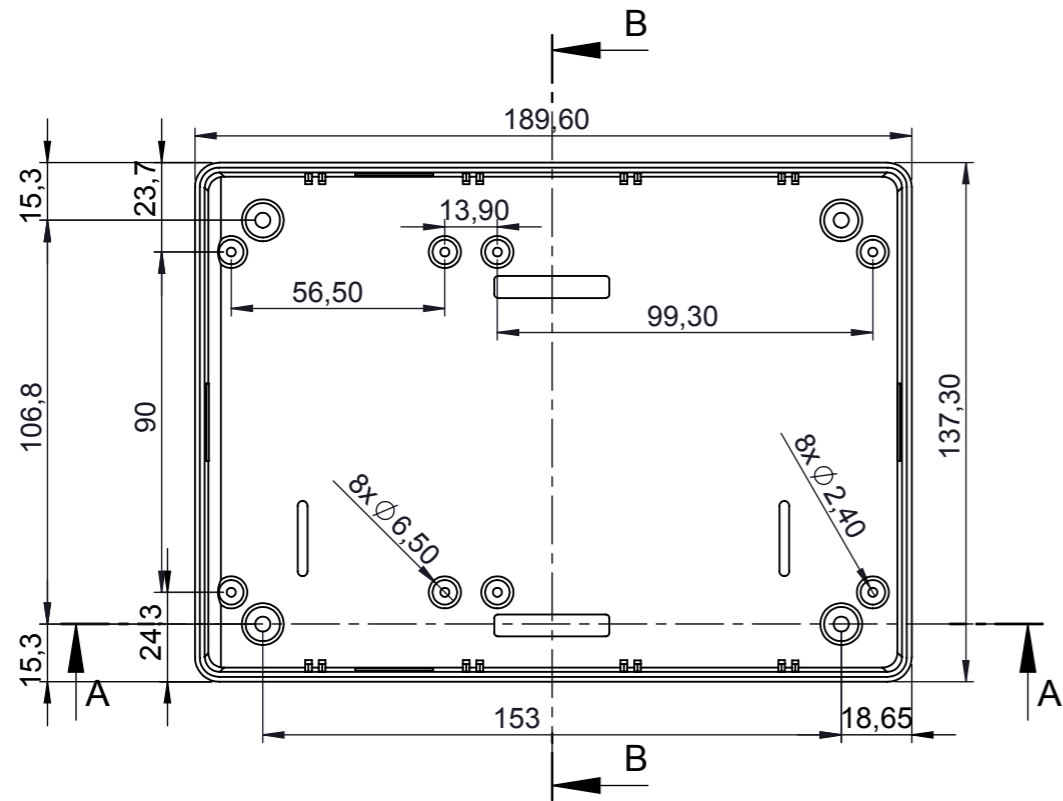
SECTION B-B
SCALE 1 : 2



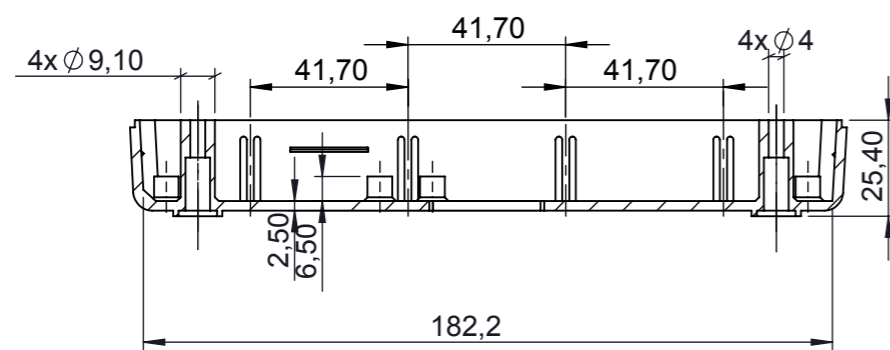
SECTION A-A
SCALE 1 : 2



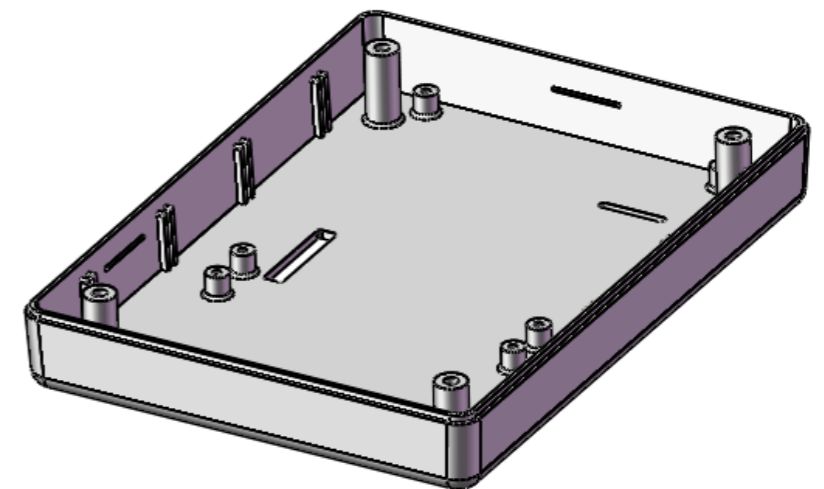
<small>PROPRIETARY AND CONFIDENTIAL THE INFORMATION CONTAINED IN THIS DRAWING IS THE SOLE PROPERTY OF ALTINKAYA ENCLOSURES. ANY REPRODUCTION IN PART OR AS A WHOLE WITHOUT THE WRITTEN PERMISSION OF ALTINKAYA ENCLOSURES IS PROHIBITED.</small>		ARTICLE NO.:	REVISION:
<small>DRAWN</small> Dursun CAN <small>CHECKED</small> Ali Altınışık <small>COMMENTS:</small> <small>MATERIAL:</small> <small>WEIGHT:</small>		 <small>ENCLOSURES FOR ELECTRONICS</small>	<small>CONTACT:</small> www.altinkaya.com.tr
		<small>TITLE:</small>	
		<small>DWG NO.</small> DT-100-A-Assembly	A3
		<small>SCALE:</small> 1:2	<small>SHEET</small> 1 OF 1





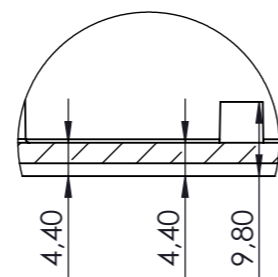
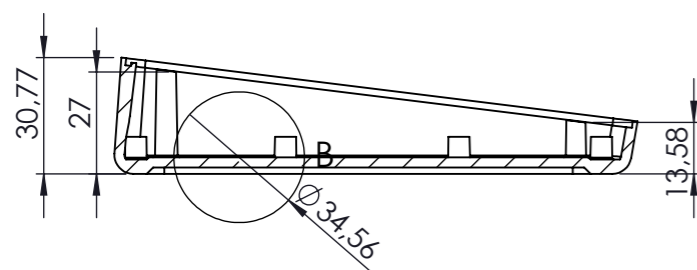
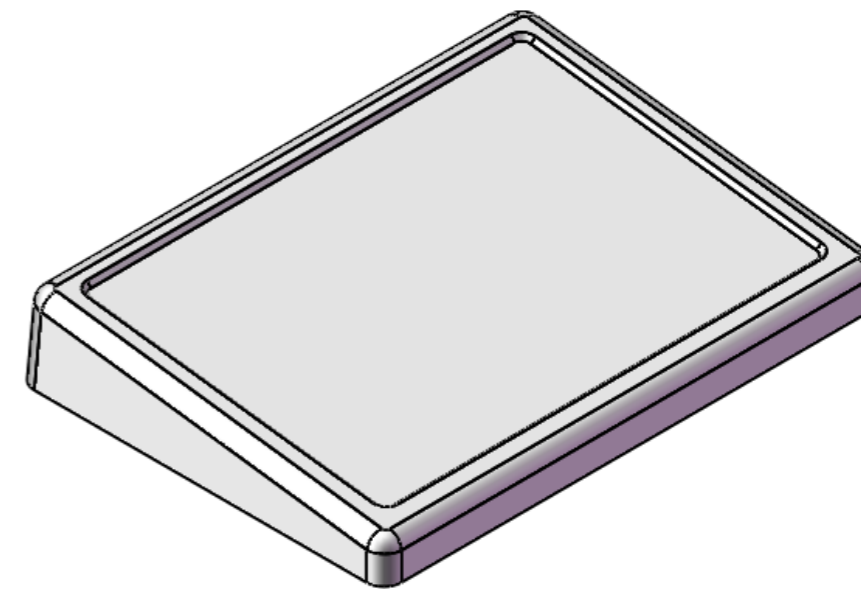
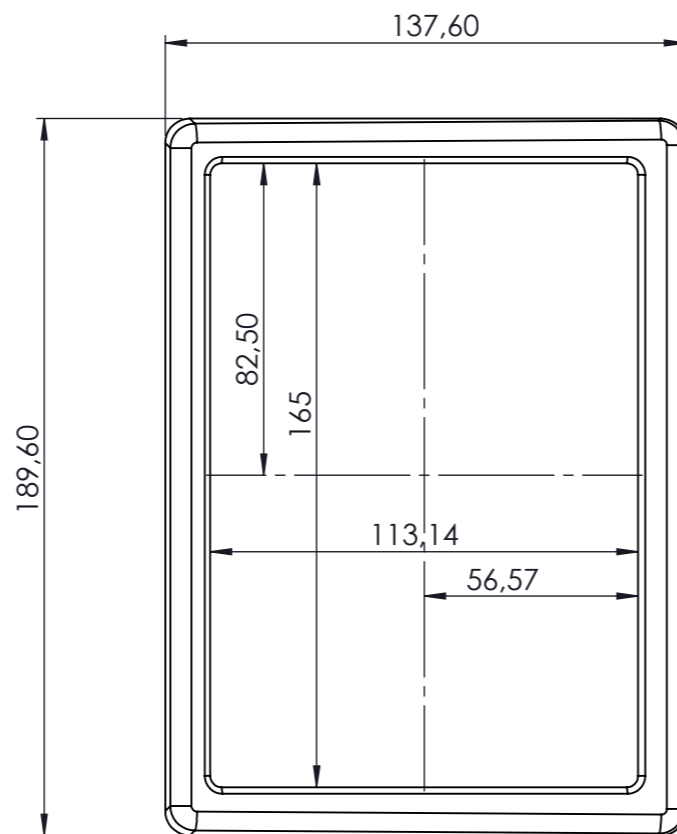
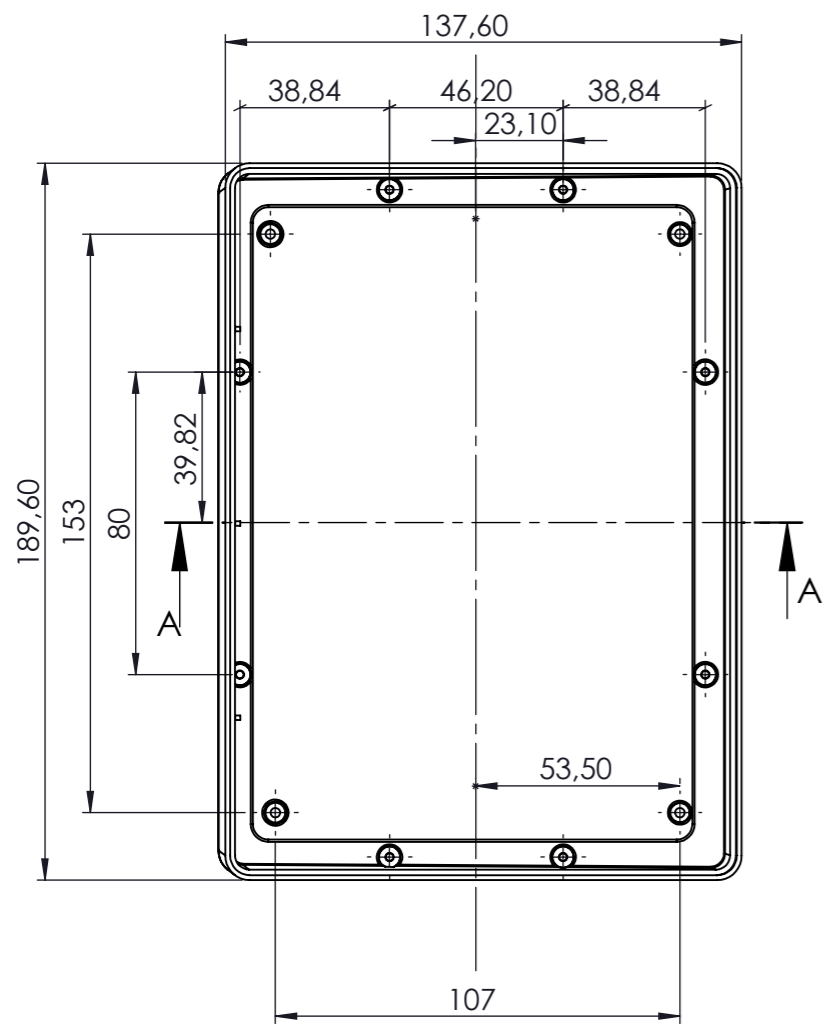
SECTION B-B



SECTION A-A




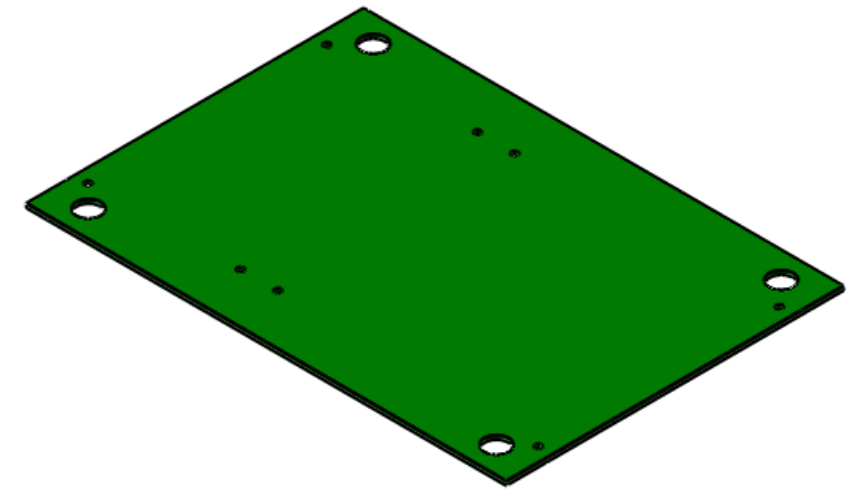
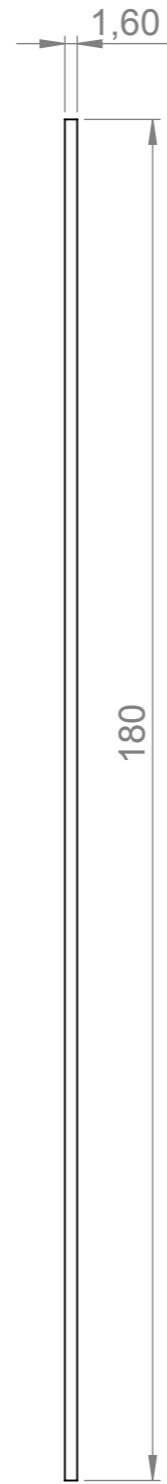
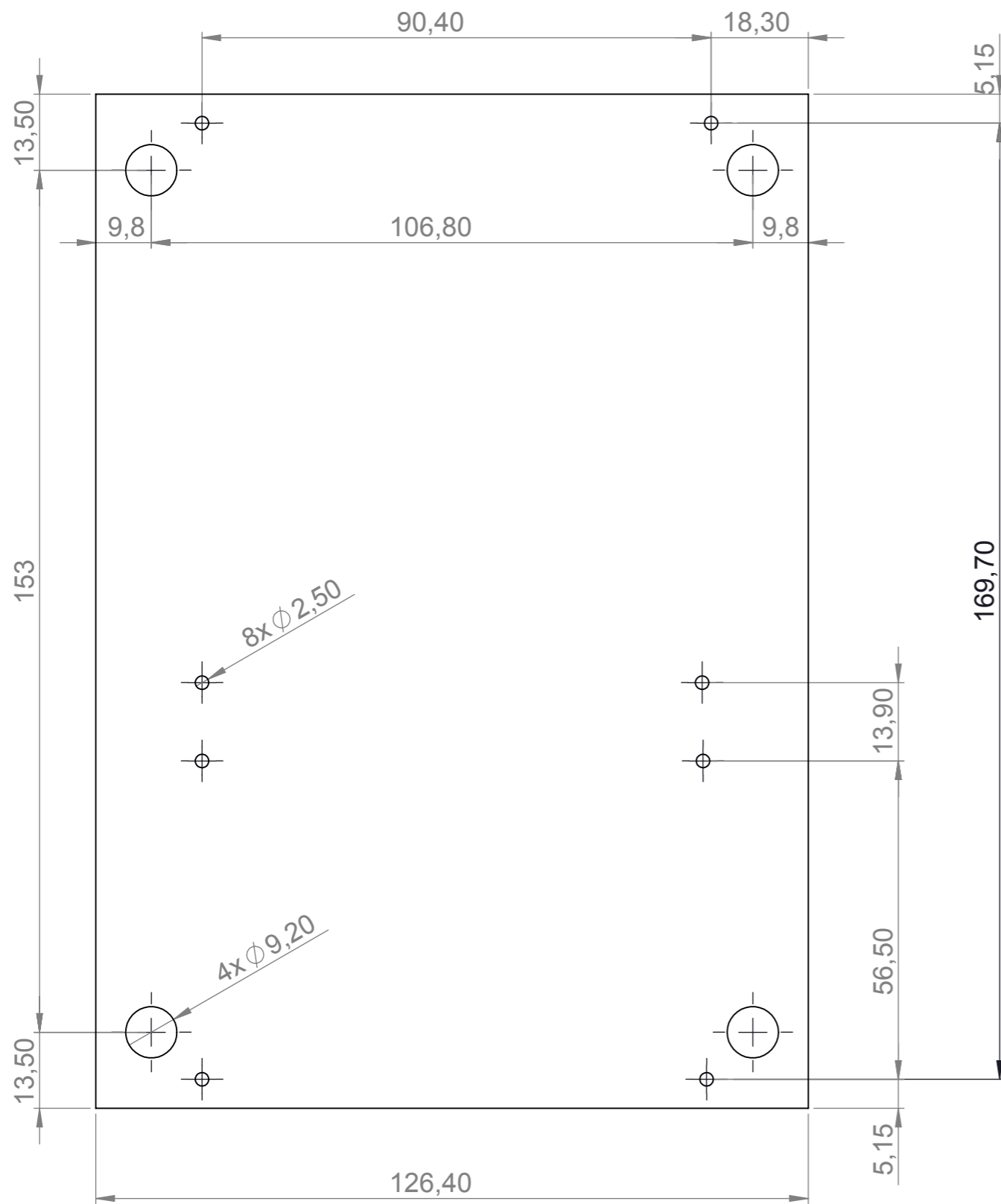
<small>PROPRIETARY AND CONFIDENTIAL THE INFORMATION CONTAINED IN THIS DRAWING IS THE SOLE PROPERTY OF ALTINKAYA ENCLOSURES. ANY REPRODUCTION IN PART OR AS A WHOLE WITHOUT THE WRITTEN PERMISSION OF ALTINKAYA ENCLOSURES IS PROHIBITED.</small>		ARTICLE NO.:	REVISION:
<small>DRAWN</small> Dursun CAN <small>CHECKED</small> Ali Altınışık <small>COMMENTS:</small> <small>MATERIAL:</small>		 <small>ENCLOSURES FOR ELECTRONICS</small> <small>CONTACT:</small> www.altinkaya.com.tr	<small>TITLE:</small> <h2>DT-100-A-Base</h2>
<small>WEIGHT:</small>		<small>DWG NO.</small>	A3 
<small>SCALE:1:2</small>		<small>SHEET 1 OF 1</small>	




SECTION A-A

DETAIL B
SCALE 1 : 1

<small>PROPRIETARY AND CONFIDENTIAL THE INFORMATION CONTAINED IN THIS DRAWING IS THE SOLE PROPERTY OF ALTINKAYA ENCLOSURES. ANY REPRODUCTION IN PART OR AS A WHOLE WITHOUT THE WRITTEN PERMISSION OF ALTINKAYA ENCLOSURES IS PROHIBITED.</small>		ARTICLE NO.:	REVISION:
<small>DRAWN</small> Dursun CAN			<small>CONTACT:</small> www.altinkaya.com.tr
<small>CHECKED</small> Ali Altınışık		<small>TITLE:</small>	
<small>COMMENTS:</small>		<small>DWG NO.</small> DT-100-A-Cover	
<small>MATERIAL:</small>		<small>A3</small>	
<small>WEIGHT:</small>		<small>SCALE:1:2</small>	<small>SHEET 1 OF 1</small>



<small>PROPRIETARY AND CONFIDENTIAL THE INFORMATION CONTAINED IN THIS DRAWING IS THE SOLE PROPERTY OF ALTINKAYA ENCLOSURES. ANY REPRODUCTION IN PART OR AS A WHOLE WITHOUT THE WRITTEN PERMISSION OF ALTINKAYA ENCLOSURES IS PROHIBITED.</small>		ARTICLE NO.:	REVISION:
<small>DRAWN</small> Dursun CAN		 ALTINKAYA ENCLOSURES FOR ELECTRONICS	<small>CONTACT:</small> www.altinkaya.com.tr
<small>CHECKED</small> Ali Altınışık		TITLE:	
COMMENTS:		DWG NO. DT-100APCB sample	
MATERIAL:		A3	
WEIGHT:		SCALE:1:1	SHEET 1 OF 1