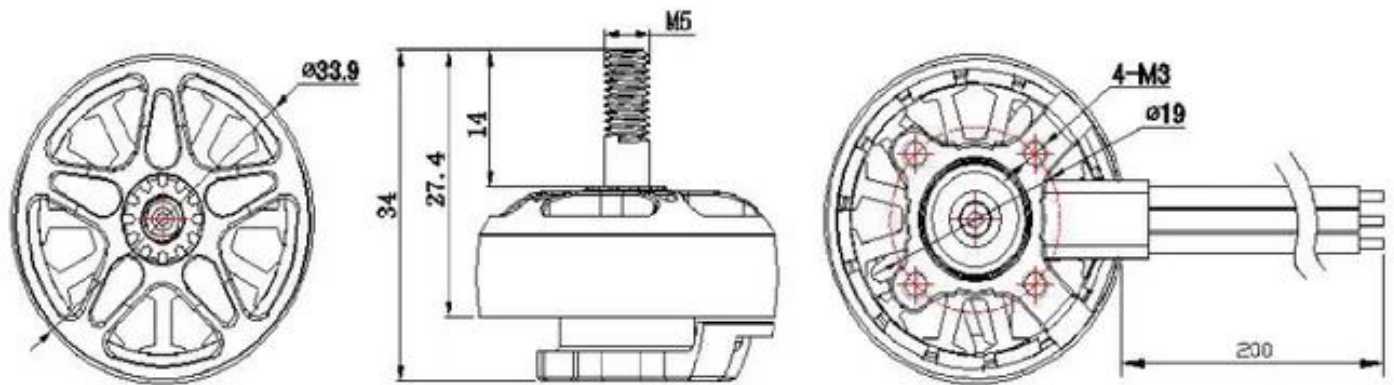


ECOII-2807



EMAX

Specifications

TestItem	KV1300	Idle Current (10V)	1.3A
Motor Dimensions	φ 33.9*34mm	Internal Resistance	58mΩ
Framework	12N14P	No. of cells	3-6S
Bearing Shaft	4mm	Propeller	6"-7"
Lead	18#AWG 200mm	Peak Current (6S)	52A
Weight	47.6g(W/O Silicone Wire)	Max. Power (6S)	1310W

TestItem	KV1500	Idle Current (10V)	1.6A
Motor Dimensions	φ 33.9*34mm	Internal Resistance	49mΩ
Framework	12N14P	No. of cells	3-5S
Bearing Shaft	4mm	Propeller	6"-7"
Lead	18#AWG 200mm	Peak Current (5S)	58A
Weight	46.9g(W/O Silicone Wire)	Max. Power (5S)	1210W

TestItem	KV1700	Idle Current (10V)	2.1A
Motor Dimensions	φ 33.9*34mm	Internal Resistance	41mΩ
Framework	12N14P	No. of cells	3-4S
Bearing Shaft	4mm	Propeller	6"-7"
Lead	18#AWG 200mm	Peak Current (4S)	52A
Weight	47.9g(W/O Silicone Wire)	Max. Power (4S)	870W

In order to improve the performance from its predecessor, the ECO II utilizes n52 magnets over n48 magnets, allowing more powerful throttle response and higher RPM's to be achieved. More torque and thrust is generated, allowing pilots the flexibility to comfortably meet the demands of any racetrack or flight situation.



NEXT GENERATION

The ECO II Series marks the next evolution in

ECOII *SERIES*



IMPROVING THE PROVEN

The engineers at EMAX are always seeking ways to design the ultimate motor with brushless

MODERN DESIGN

Redesigned from the ground up, the ECO II boasts an all new architecture. With a more rounded design paired together with thicker reinforcements, maximum durability is achieved. Finished with a reflective surface, the ECO II offers a sleek modern design destined to satisfy the need for both aesthetics and durability.



POWERFUL MAGNETS

affordable brushless motor technology,
bringing in a new era of performance for everyone.



technology. In their efforts, they produced the ECO II Series, a new line of brushless motors further improving on the performance and durability while retaining the same affordability.

