

HH-095

HH-095-A

ITEM NO.	PART NUMBER	DESCRIPTION	QTY.
1	HH-095-P-2-11174	HH-095 Body with Battery Compartment	1
2	HH-095-P-3-11175	HH-095 Upper Body	1
3	A-99-0-0-G-0-11182	Plastic Battery Cover	1
4	HH-095 PCB sample	Not Included	1
5	A-647-0-0-M-0-11181	M3X25 YSB Metalik Vida	4
6	Cam	HH-095 Cam	1

PROPRIETARY AND CONFIDENTIAL
THE INFORMATION CONTAINED IN THIS DRAWING IS THE SOLE PROPERTY OF ALTINKAYA ENCLOSURES. ANY REPRODUCTION IN PART OR AS A WHOLE WITHOUT THE WRITTEN PERMISSION OF ALTINKAYA ENCLOSURES IS PROHIBITED.

ARTICLE NO.: _____ REVISION: _____

ALTINKAYA
ENCLOSURES FOR ELECTRONICS

CONTACT: www.altinkaya.com.tr

DRAWN: _____ DATE: _____

CHECKED: _____

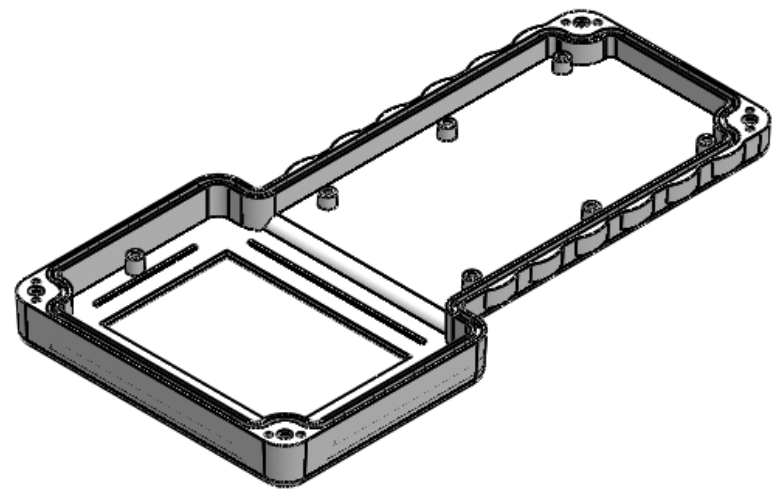
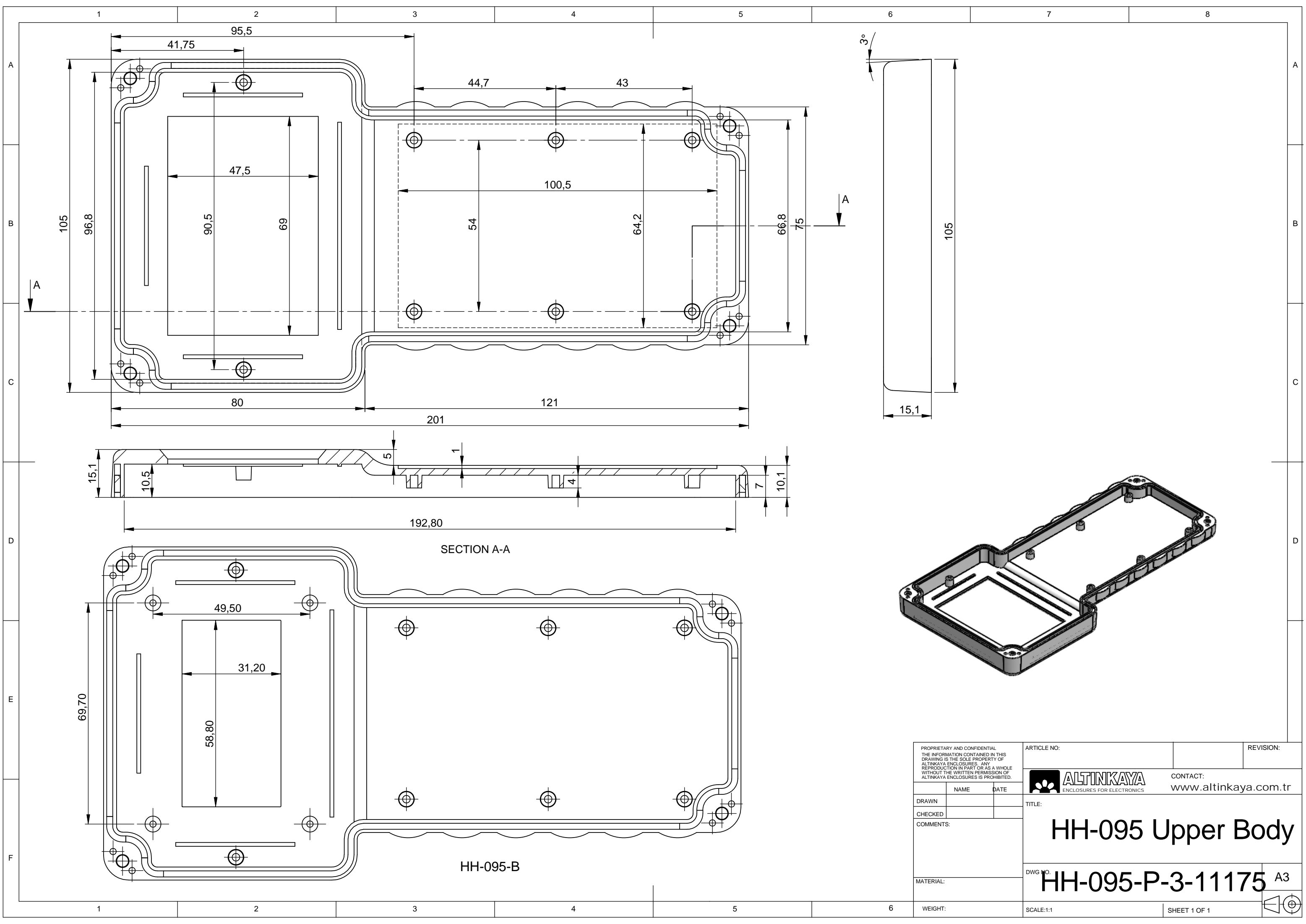
COMMENTS: _____


TITLE: **HH-095 Hand Terminal Enclosure**

MATERIAL: **ABS**

DWG NO. **HH-095-A-0-11172** A3

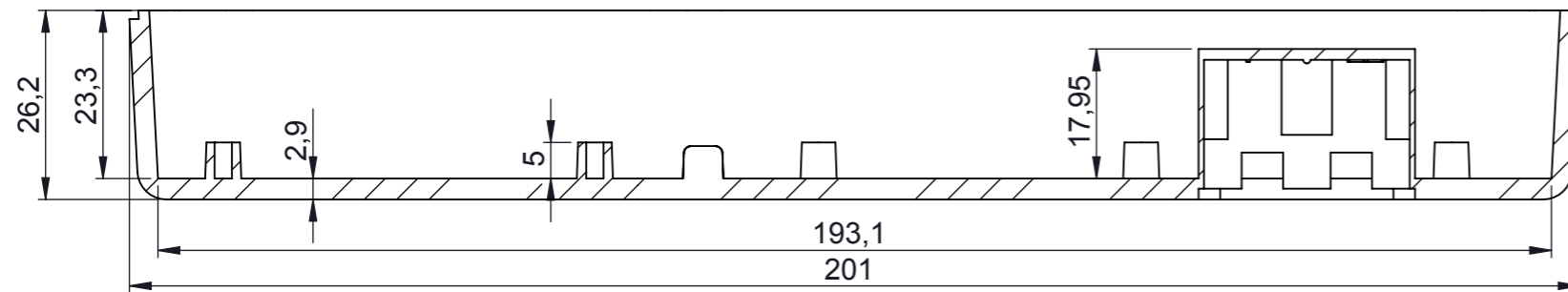
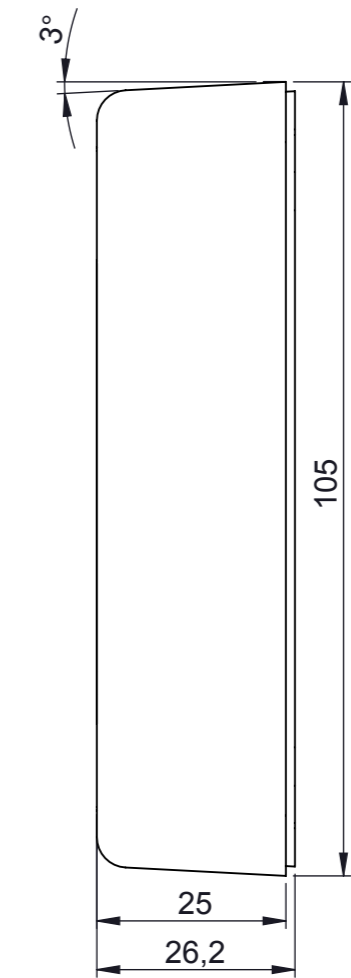
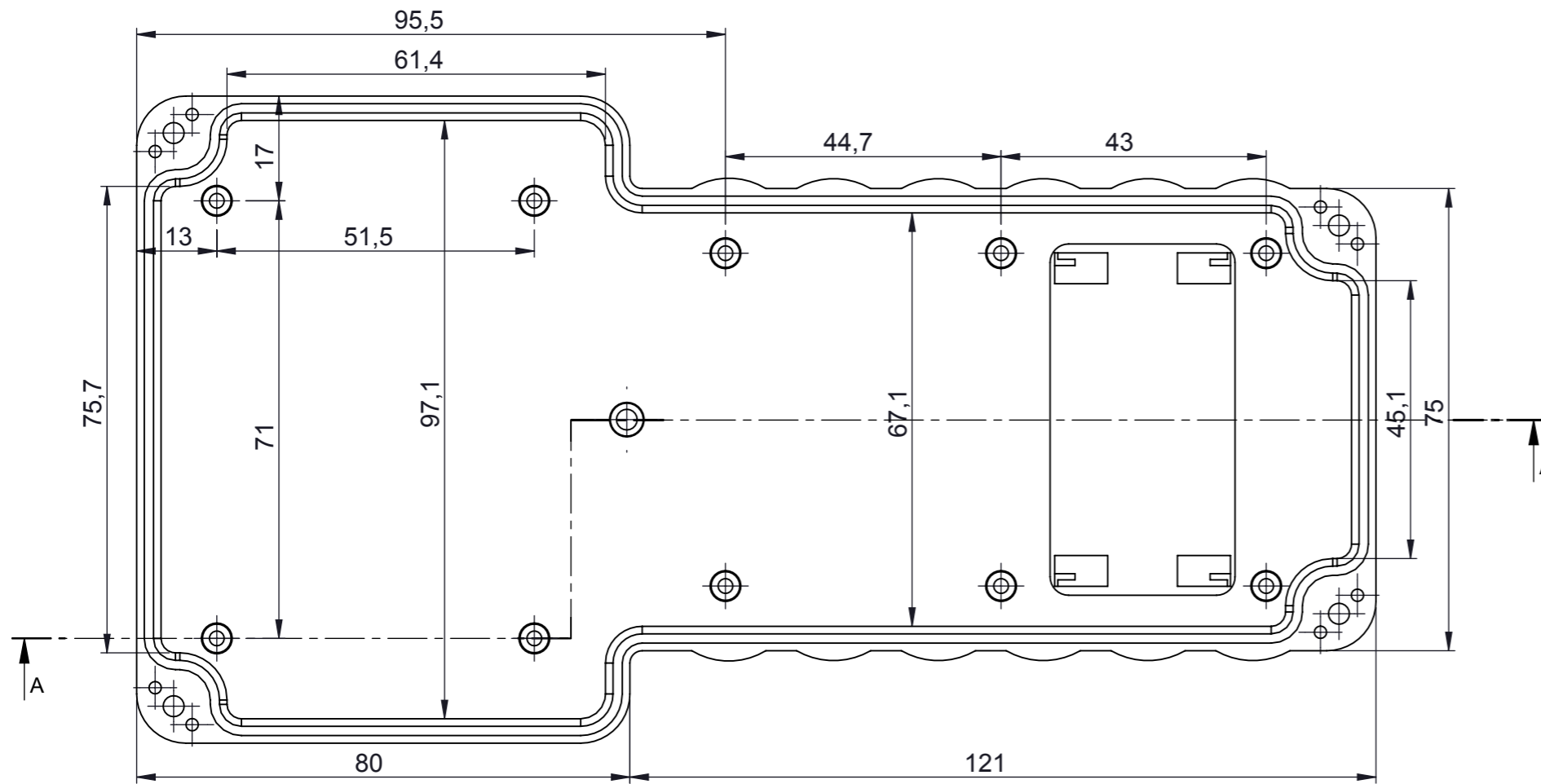
WEIGHT: _____ SCALE: 1:2 SHEET 1 OF 1



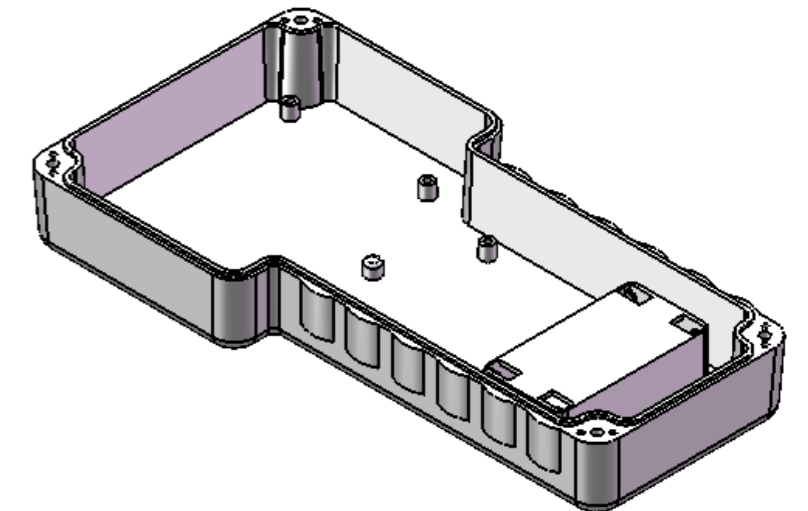
<small>PROPRIETARY AND CONFIDENTIAL. THE INFORMATION CONTAINED IN THIS DRAWING IS THE SOLE PROPERTY OF ALTINKAYA ENCLOSURES. ANY REPRODUCTION IN PART OR AS A WHOLE WITHOUT THE WRITTEN PERMISSION OF ALTINKAYA ENCLOSURES IS PROHIBITED.</small>		ARTICLE NO:	REVISION:
<small>DRAWN</small>		 ALTINKAYA <small>ENCLOSURES FOR ELECTRONICS</small>	<small>CONTACT:</small> www.altinkaya.com.tr
<small>CHECKED</small>		<small>TITLE:</small> <h1>HH-095 Upper Body</h1>	
<small>COMMENTS:</small>		<small>DWG NO.</small> <h2>HH-095-P-3-11175</h2>	
<small>MATERIAL:</small>		<small>SCALE:</small> 1:1	
<small>WEIGHT:</small>		<small>SHEET 1 OF 1</small>	

HH-095-B

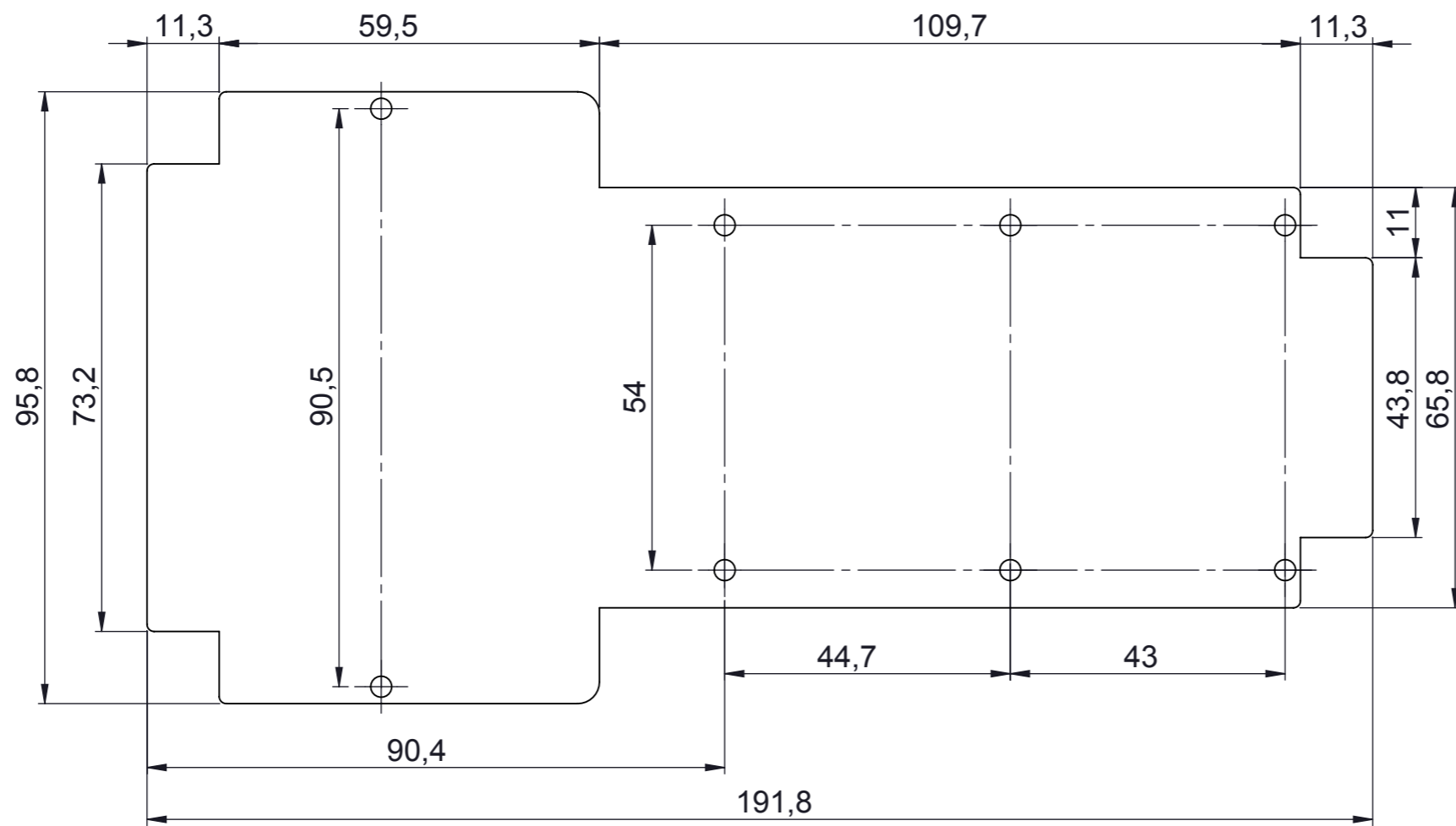



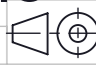


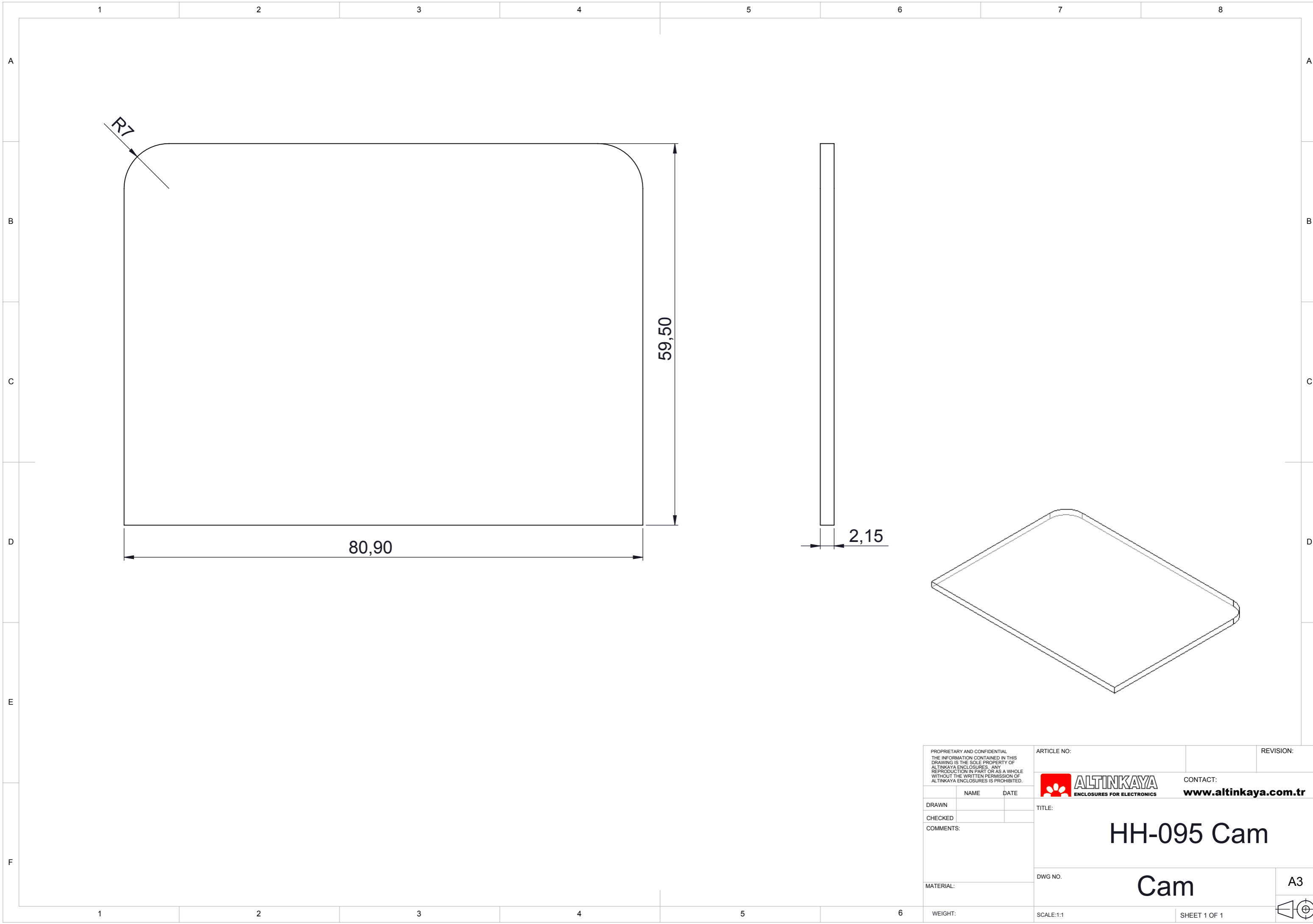
SECTION A-A
SCALE 1 : 1



<small>PROPRIETARY AND CONFIDENTIAL THE INFORMATION CONTAINED IN THIS DRAWING IS THE SOLE PROPERTY OF ALTINKAYA ENCLOSURES. ANY REPRODUCTION IN PART OR AS A WHOLE WITHOUT THE WRITTEN PERMISSION OF ALTINKAYA ENCLOSURES IS PROHIBITED.</small>		ARTICLE NO:	REVISION:
<small>DRAWN</small> <small>CHECKED</small> <small>COMMENTS:</small>		 ALTINKAYA ENCLOSURES FOR ELECTRONICS	CONTACT: www.altinkaya.com.tr
<small>MATERIAL:</small>		TITLE: HH-095 Body with Battery Compartment	
<small>WEIGHT:</small>		DWG NO: HH-095-P-2-11174	A3
<small>SCALE:1:1</small>		<small>SHEET 1 OF 1</small>	



<small>PROPRIETARY AND CONFIDENTIAL THE INFORMATION CONTAINED IN THIS DRAWING IS THE SOLE PROPERTY OF ALTINKAYA ENCLOSURES. ANY REPRODUCTION IN PART OR AS A WHOLE WITHOUT THE WRITTEN PERMISSION OF ALTINKAYA ENCLOSURES IS PROHIBITED.</small>		ARTICLE NO:	REVISION:
<small>DRAWN</small> <small>CHECKED</small> <small>COMMENTS:</small>		 <small>ENCLOSURES FOR ELECTRONICS</small>	<small>CONTACT:</small> www.altinkaya.com.tr
<small>TITLE:</small> <h1 style="text-align: center;">Not Included</h1>		<small>DWG NO:</small> <h2 style="text-align: center;">HH-095 PCB sample^{A3}</h2>	
<small>MATERIAL:</small>		<small>SCALE:</small> 1:1	<small>SHEET</small> 1 OF 1
<small>WEIGHT:</small>			

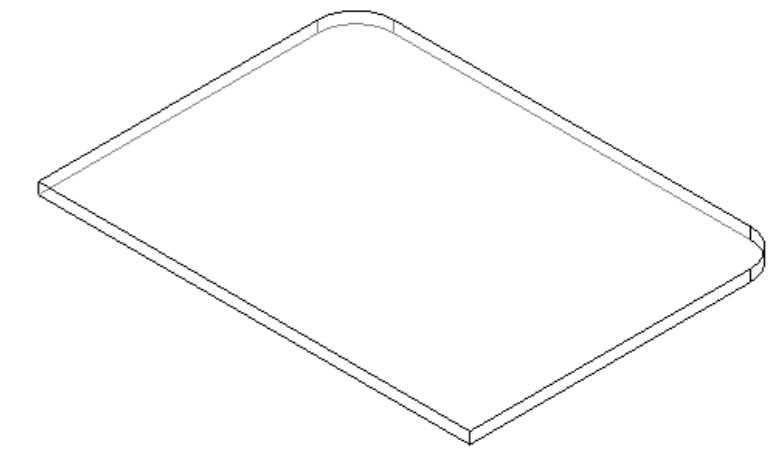



R7

80,90

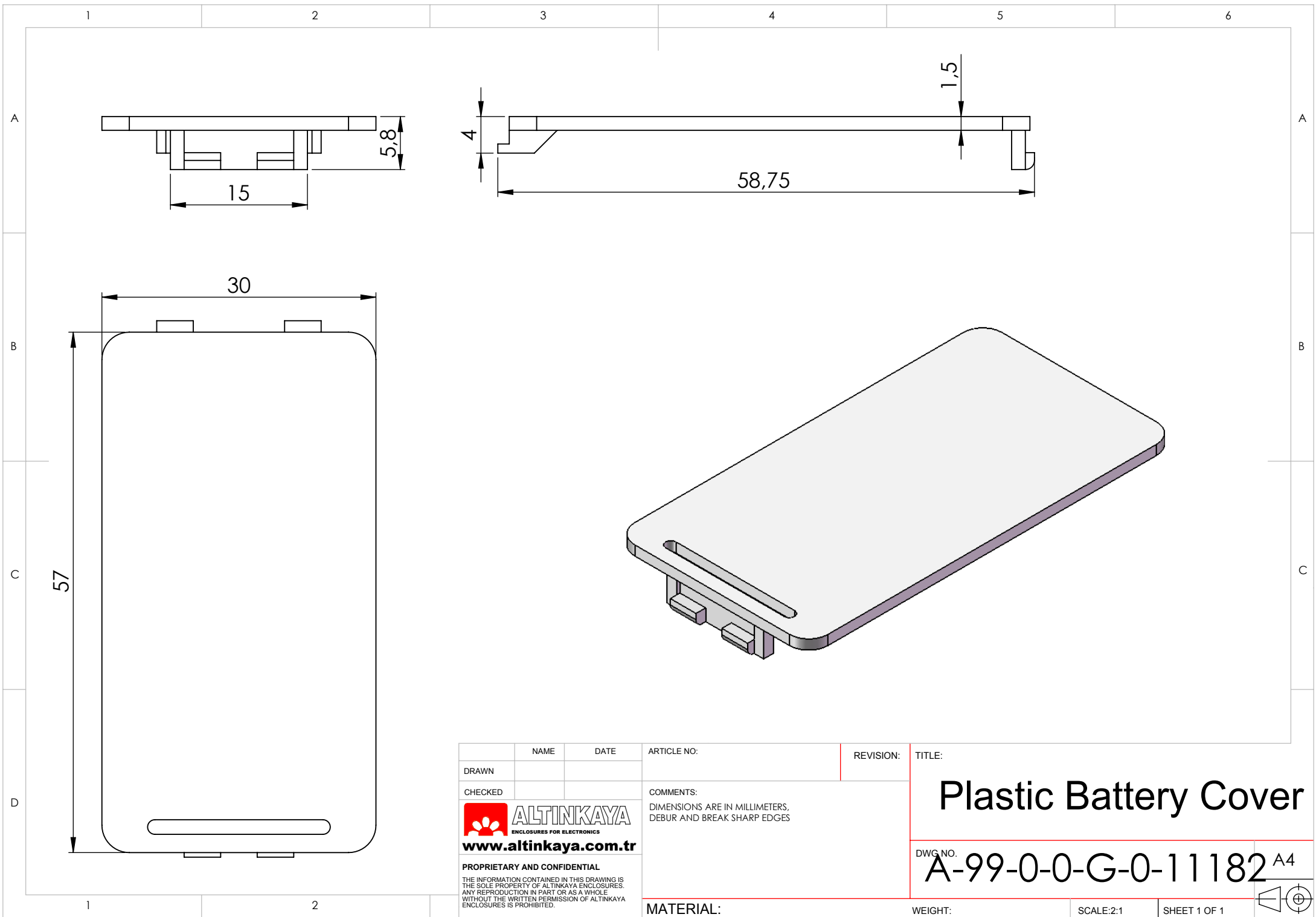
59,50


2,15



<small>PROPRIETARY AND CONFIDENTIAL THE INFORMATION CONTAINED IN THIS DRAWING IS THE SOLE PROPERTY OF ALTINKAYA ENCLOSURES. ANY REPRODUCTION IN PART OR AS A WHOLE WITHOUT THE WRITTEN PERMISSION OF ALTINKAYA ENCLOSURES IS PROHIBITED.</small>		ARTICLE NO:	REVISION:				
<table border="1"> <thead> <tr> <th>NAME</th> <th>DATE</th> </tr> </thead> <tbody> <tr> <td> </td> <td> </td> </tr> </tbody> </table>		NAME	DATE			 ALTINKAYA ENCLOSURES FOR ELECTRONICS	CONTACT: www.altinkaya.com.tr
NAME	DATE						
DRAWN CHECKED COMMENTS:		TITLE: HH-095 Cam					
MATERIAL:		DWG NO.	A3				
WEIGHT:		SCALE:1:1	SHEET 1 OF 1				





NAME	DATE	ARTICLE NO:	REVISION:	TITLE:
DRAWN				Plastic Battery Cover
CHECKED				
 www.altinkaya.com.tr		COMMENTS: DIMENSIONS ARE IN MILLIMETERS. DEBUR AND BREAK SHARP EDGES		DWG NO. A-99-0-0-G-0-11182 A4
PROPRIETARY AND CONFIDENTIAL <small>THE INFORMATION CONTAINED IN THIS DRAWING IS THE SOLE PROPERTY OF ALTINKAYA ENCLOSURES. ANY REPRODUCTION IN PART OR AS A WHOLE WITHOUT THE WRITTEN PERMISSION OF ALTINKAYA ENCLOSURES IS PROHIBITED.</small>		MATERIAL:		WEIGHT: