

SIM Card Connector

SIM card Connector Series

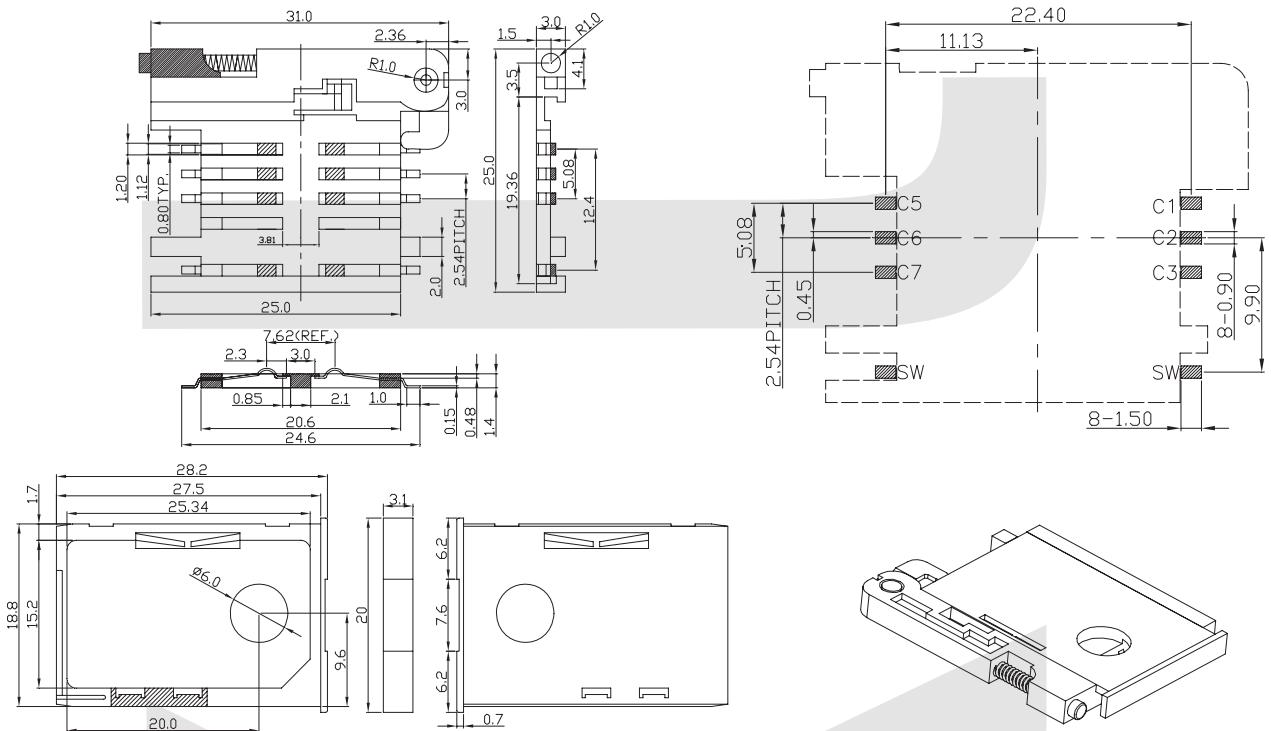
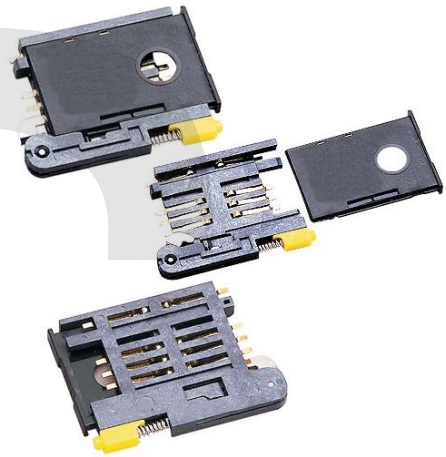
KLS1-SIM-014-6P /8P SIM Card Connector Series

Material

- 1.Housing: LCP UL 94V-0 , Color: Black
- 2.Contact: Phosphor Bronze
- 3.Plating:
Contact area: min 30u "(0.75µm) Au over min 60u" (1.5µm) Ni
Solder area: min 1u "(0.025µm) Au over min 60u" (1.5µm) Ni
And to cope with sealing
- 4.Hold Down: Phosphor bronze
Plating: min 1u "(0.025µm) Gold flash over min 60u" (1.5µm) Ni
And to cope with sealing

Specification

1. Current 10mA (AC.DC) Max.
2. Voltage 5V (AC.DC)
3. Durability 10,000 mating cycles
4. Dielectric Withstanding voltage: 500V AC RMS for one minute
5. Insulation resistance: 1000 M Ohms Min. At 500V AC
6. Contact resistance: 30M Ohms Max.



ORDER INFORMATION

Product NO.: KLS1-SIM-014-6P-T

