

# Connector

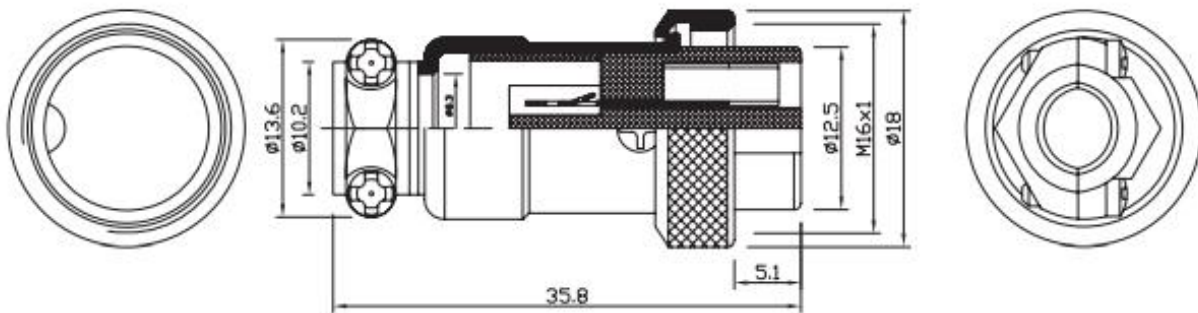
## connectors industrial circular Series

### KLS15-225-M16 Connectors Industrial Circular Series

Safety approval : UL Water proof IP $\geq$ 55  
 Subminiature aviation linkers are widely used for the Hi-Tech trade. The appearances of the products has two kinds, plug-type and thread type. Used in the installation of the panel, small, exquisite and sensitive. It's nickel-plated and easy to plug-in.

#### Electrical Characteristics:

Rated current: 2-4P: 7A  
                   5P: 5A  
                   6-10P:4A  
 Rated Voltage:125V  
 Operation Voltage: 200 VAC  
 Withstanding Voltage :1500 VAC  
 Insulation resistance :2000M $\Omega$  DC 500V  
 Contact resistance: 10 m $\Omega$  DC1A  
 Solder cup mouth diameter: 2-4P: 1.6 mm  
   5P: 1.2 mm  
   6-10P: 0.9 mm  
 Solder diameter: 2-4P: 2.45 mm  
                           5P: 2 mm  
                           6-10P: 1.15 mm



## ORDER INFORMATION

Product No.: KLS15-225-M16-2 F1

Pos. No. \_\_\_\_\_  
 Dental regulations: M16 \_\_\_\_\_  
 Number of Contacts: 2, 3, 4, 5, 6, 7, 8, 9, 10P \_\_\_\_\_

2P	3P	4P	5P	6P
7P	8P	9P	10P	

TYPE Ordering



# Connector

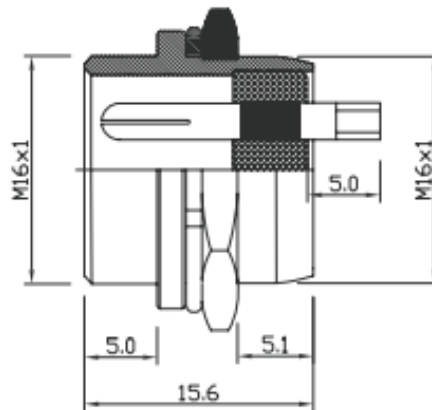
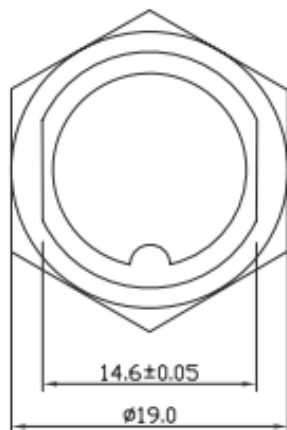
## connectors industrial circular Series

### KLS15-225-M16 Connectors Industrial Circular Series

Safety approval : UL Water proof IP $\geq$ 55  
 Subminiature aviation linkers are widely used for the Hi-Tech trade. The appearances of the products has two kinds, plug-type and thread type. Used in the installation of the panel, small, exquisite and sensitive. It's nickel-plated and easy to plug-in.

**Electrical Characteristics:**

- Rated current: 2□4P: 7A
- 5P: 5A
- 6□10P:4A
- Rated Voltage:125V
- Operation Voltage: 200 VAC
- Withstanding Voltage :1500 VAC
- Insulation resistance :2000M $\Omega$  DC 500V
- Contact resistance: 10 m $\Omega$  DC1A
- Solder cup mouth diameter: 2□4P: 1.6 mm
- 5P: 1.2 mm
- 6□10P: 0.9 mm
- Solder diameter: 2□4P: 2.45 mm
- 5P: 2 mm
- 6□10P: 1.15 mm



## ORDER INFORMATION

Product No.: KLS15-225-M16-2 M1

Pos. No. \_\_\_\_\_  
 Dental regulations: M16 \_\_\_\_\_  
 Number of Contacts: 2, 3, 4, 5, 6, 7, 8, 9, 10P \_\_\_\_\_

2P	3P	4P	5P	6P
7P	8P	9P	10P	

TYPE Ordering

