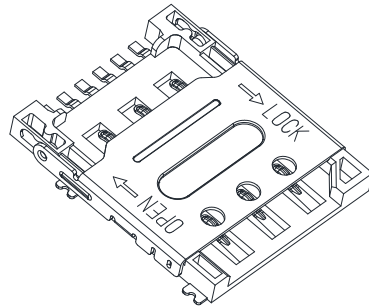




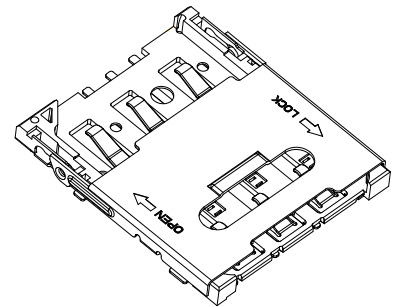
## H&V NANO SIM CARD CONNECTOR ---- N00 Series

### ICC-N01



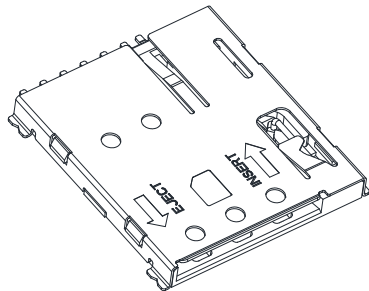
- 1. 6 pin
- 2. SMT Type (without post)
- 3. Dim.: 14.00L x 11.70W x 1.50H mm
- 4. Metal Cover: Hinge Type

### ICC-N02



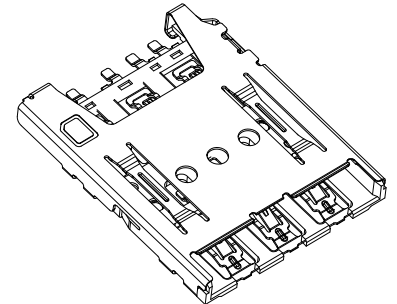
- 1. 6 pin
- 2. SMT Type (without post)
- 3. Dim.: 12.50L x 10.92W x 1.22H mm
- 4. Metal Cover: Hinge Type

### ICC-N08



- 1. 6 pin
- 2. SMT Type (with post)
- 3. Dim.: 13.50L x 12.29W x 1.37H mm
- 4. Blade Switch: Normally Close
- 5. Metal Cover: Push Push Type

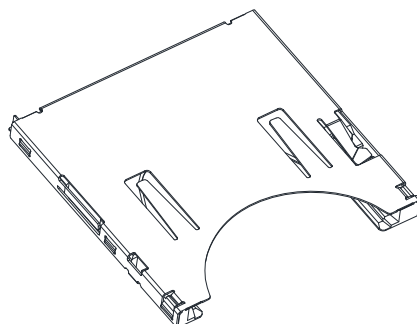
### ICC-N09



- 1. 6 pin
- 2. SMT Type (with post)
- 3. Dim.: 12.35L x 9.80W x 1.30H mm
- 4. Blade Switch: Normally Close
- 5. Metal Cover: Push Pull Type

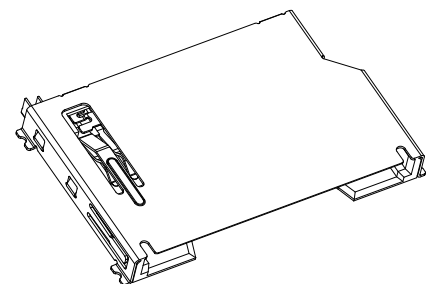
## H&V SD CARD CONNECTOR ---- S00 Series

### MCA-S08



- 1. 9 pin
- 2. SMT Type (with post)
- 3. Push Push Type
- 4. Dim.: 28.90L x 28.80W x 2.75H mm
- 5. Blade Switch: Normally Open
- 6. With write protection

### MCA-S10



- 1. 9 pin
- 2. SMT Type (with post)
- 3. Push Pull Type
- 4. Dim.: 16.60L x 26.50W x 2.86H mm
- 5. Blade Switch: Normally Open
- 6. With write protection