
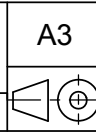
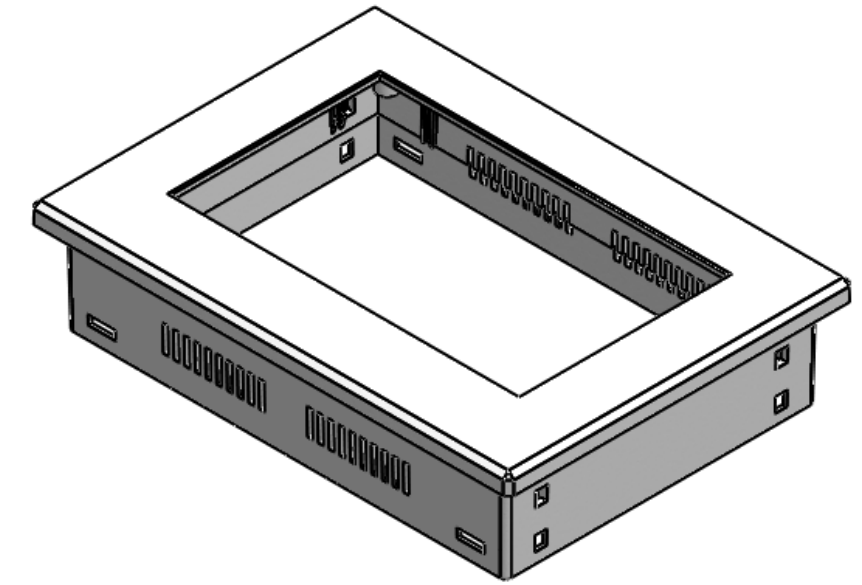
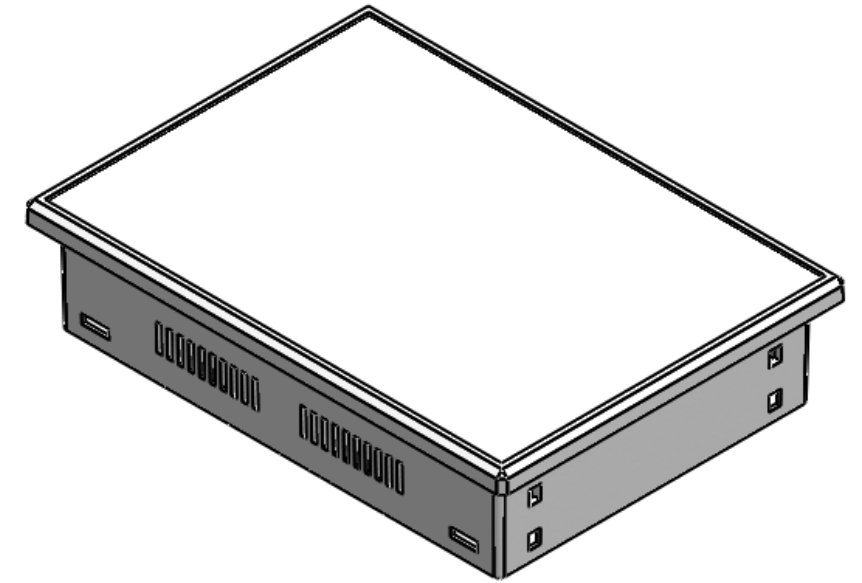
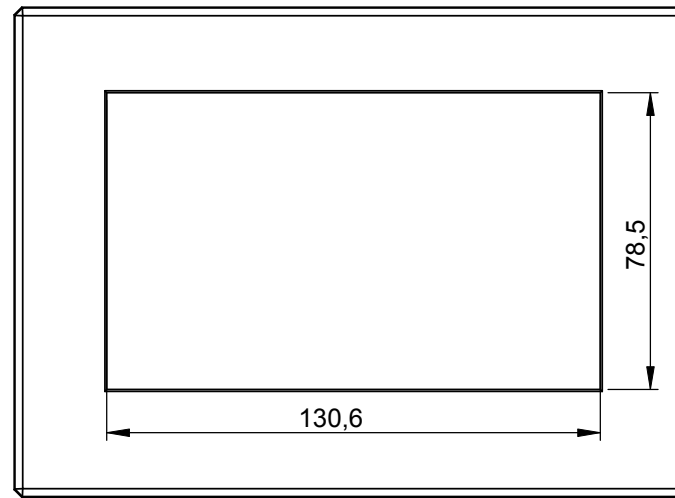
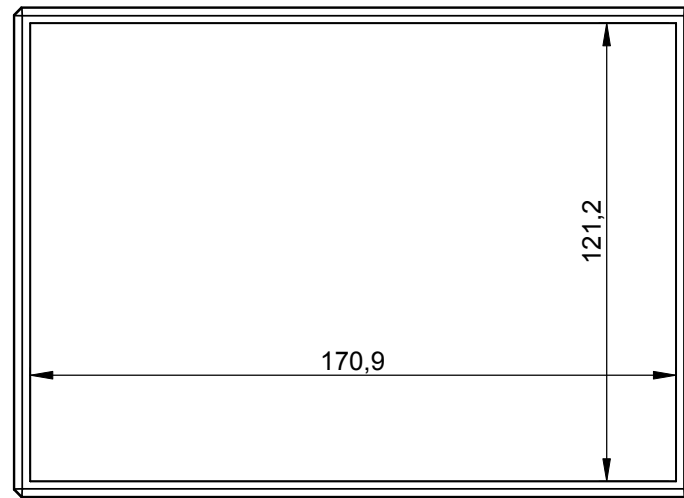
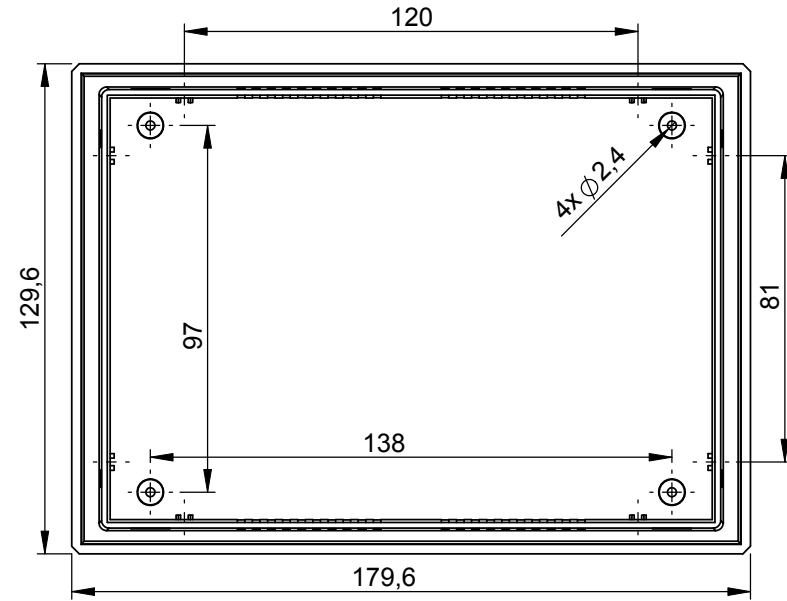
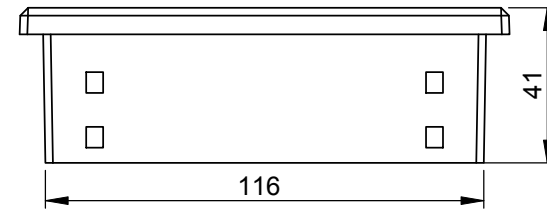
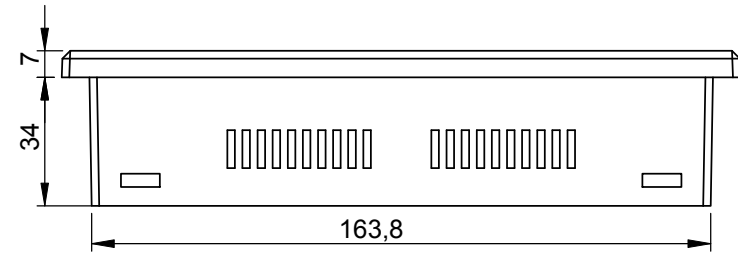

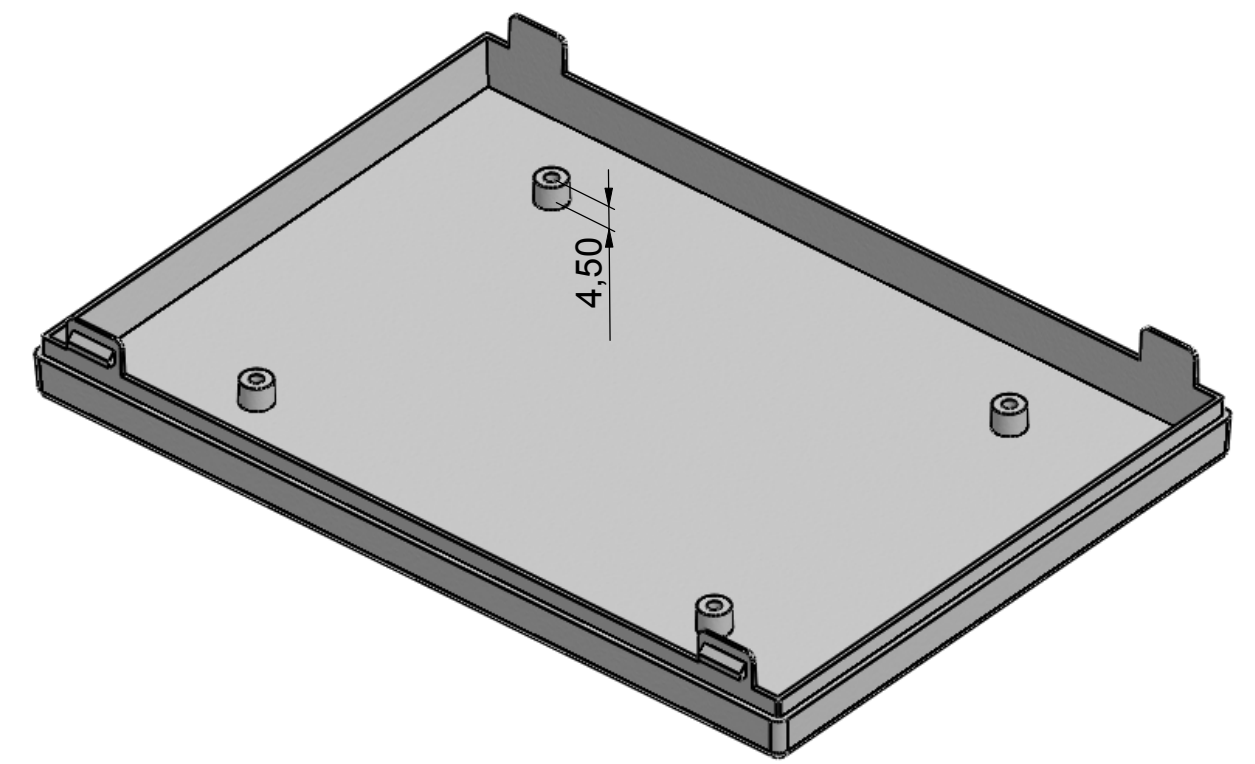
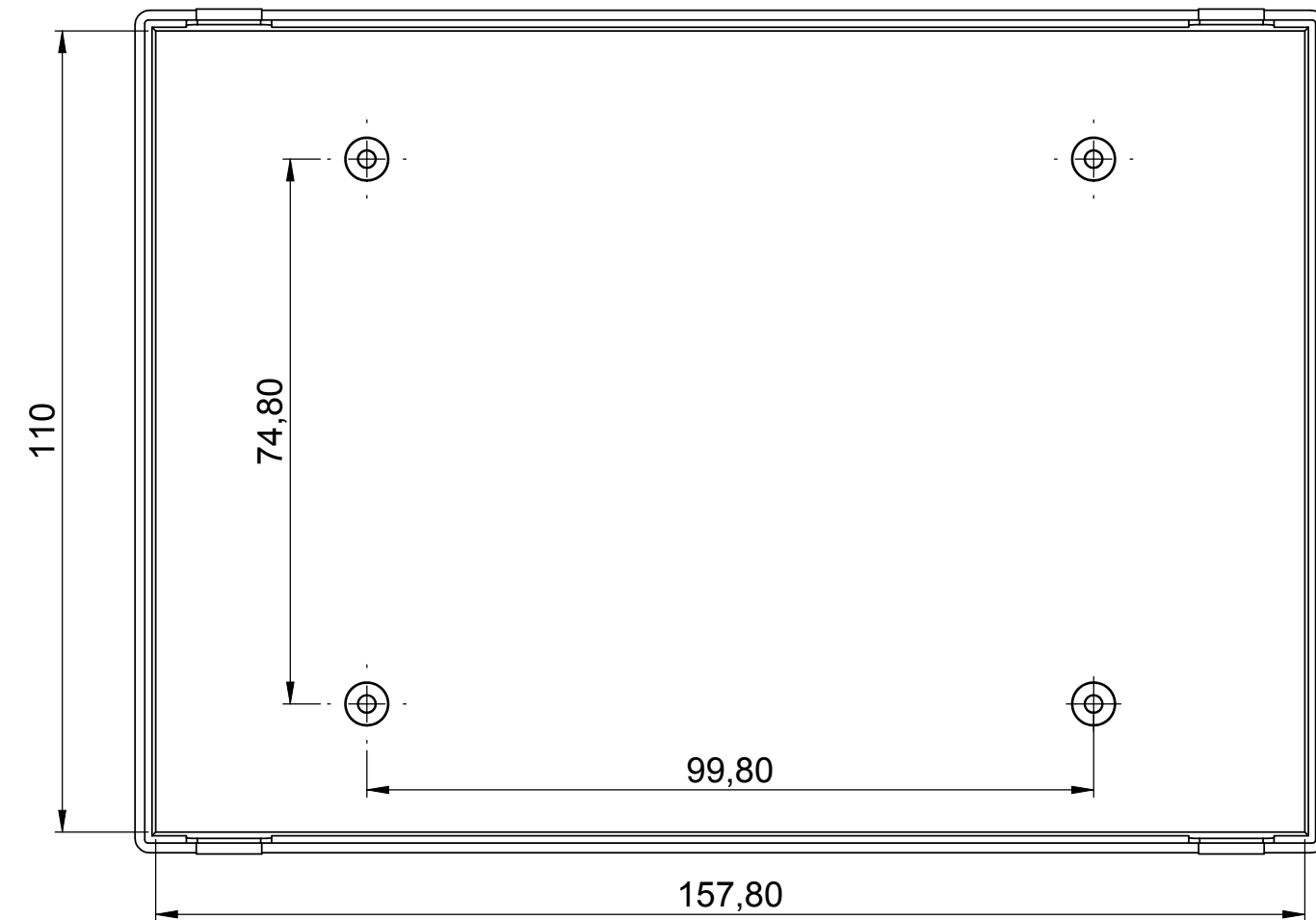
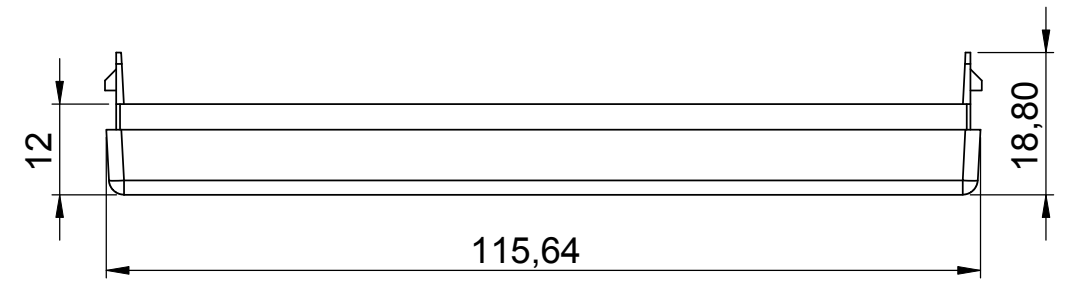
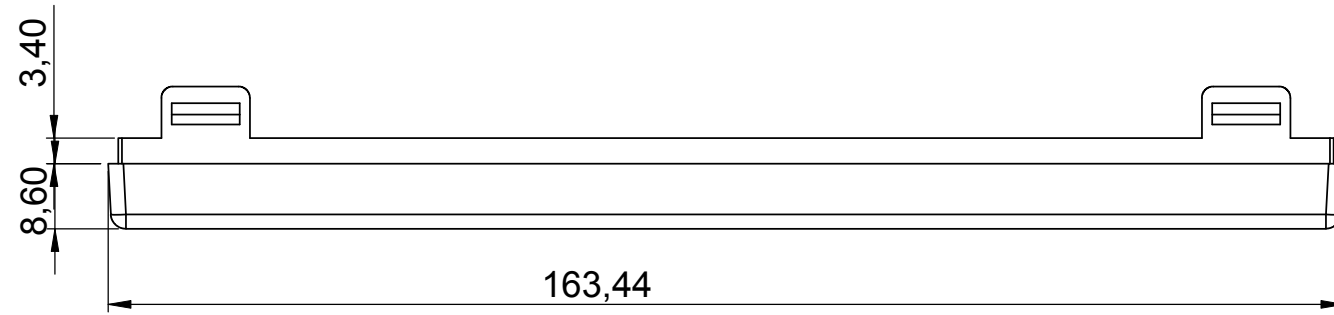



<small>PROPRIETARY AND CONFIDENTIAL. THE INFORMATION CONTAINED IN THIS DRAWING IS THE SOLE PROPERTY OF ALTINKAYA ENCLOSURES. ANY REPRODUCTION IN PART OR AS A WHOLE WITHOUT THE WRITTEN PERMISSION OF ALTINKAYA ENCLOSURES IS PROHIBITED.</small>			ARTICLE NO.:	REVISION:						
<table border="1"> <thead> <tr> <th>NAME</th> <th>DATE</th> </tr> </thead> <tbody> <tr> <td>DRAWN Dursun Daşdemir</td> <td>04.03.10</td> </tr> <tr> <td>CHECKED Ali Altınışık</td> <td>04.03.10</td> </tr> </tbody> </table>			NAME	DATE	DRAWN Dursun Daşdemir	04.03.10	CHECKED Ali Altınışık	04.03.10		
NAME	DATE									
DRAWN Dursun Daşdemir	04.03.10									
CHECKED Ali Altınışık	04.03.10									
COMMENTS:			CONTACT: www.altinkaya.com.tr							
MATERIAL:			TITLE: OP-300 Operatör Paneli							
WEIGHT:			DWG NO. OP-300-0-0-G-0-11793							
SCALE: 1:2			SHEET 1 OF 1							

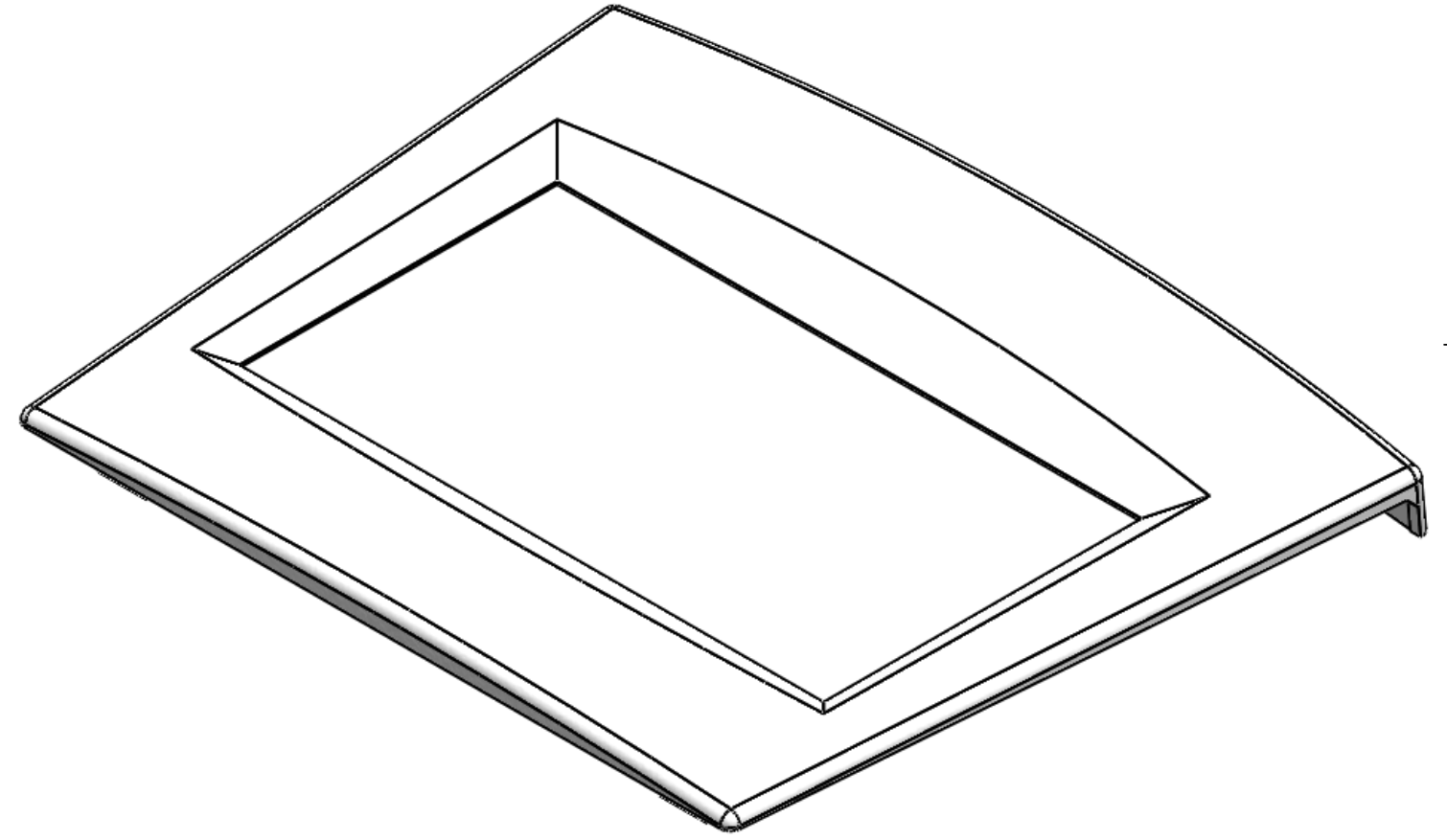
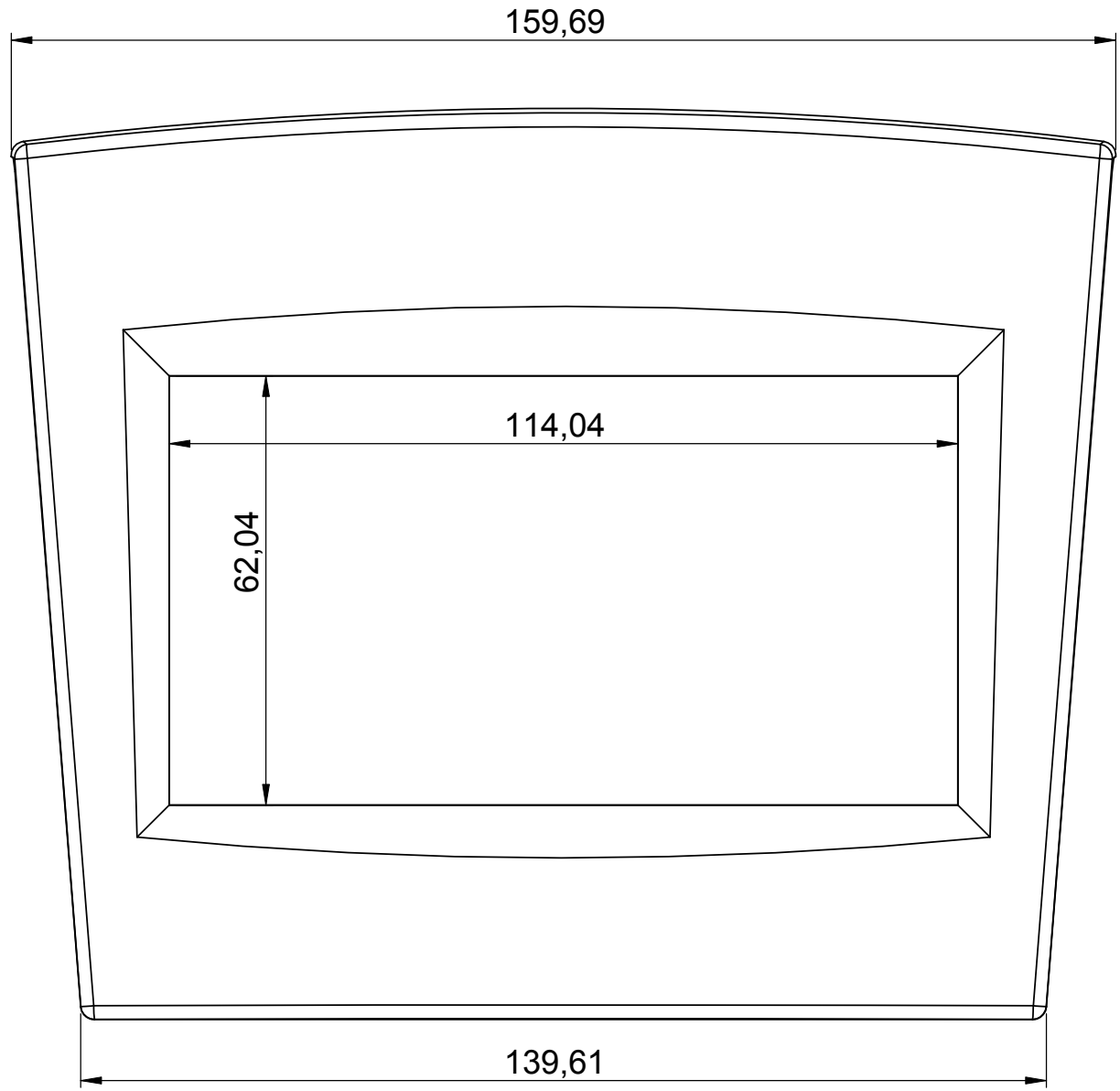
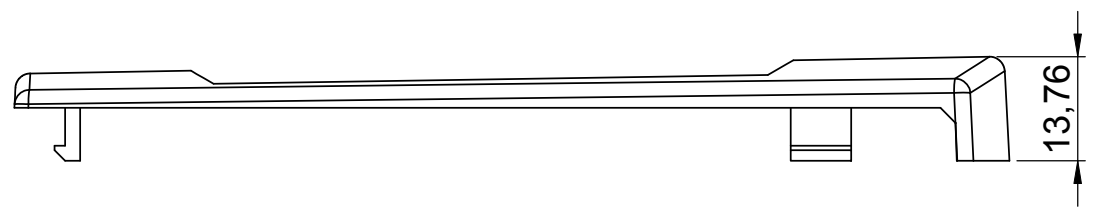
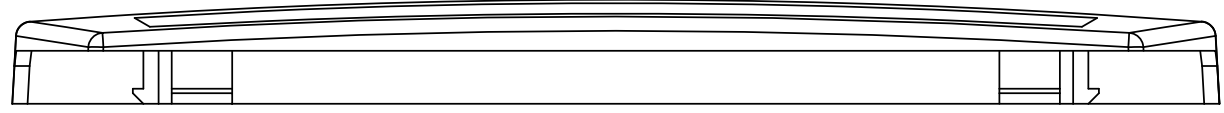





<small>PROPRIETARY AND CONFIDENTIAL. THE INFORMATION CONTAINED IN THIS DRAWING IS THE SOLE PROPERTY OF ALTINKAYA ENCLOSURES. ANY REPRODUCTION IN PART OR AS A WHOLE WITHOUT THE WRITTEN PERMISSION OF ALTINKAYA ENCLOSURES IS PROHIBITED.</small>			ARTICLE NO.:	REVISION:
<small>DRAWN</small> Dursun Daşdemir 04.03.10 <small>CHECKED</small> Ali Altınışık 04.03.10 <small>COMMENTS:</small> <small>MATERIAL:</small>			 <small>ENCLOSURES FOR ELECTRONICS</small>	<small>CONTACT:</small> www.altinkaya.com.tr
			<small>TITLE:</small> OP-310 Gövde Opsiyonlu Ekran Yeri Açık-Kapalı	
			<small>DWG NO.</small> OP-310-P-2-G-0-11438	<small>A3</small>
<small>WEIGHT:</small>			<small>SCALE:</small> 1:2	<small>SHEET</small> 1 OF 1



<small>PROPRIETARY AND CONFIDENTIAL THE INFORMATION CONTAINED IN THIS DRAWING IS THE SOLE PROPERTY OF ALTINKAYA ENCLOSURES. ANY REPRODUCTION IN PART OR AS A WHOLE WITHOUT THE WRITTEN PERMISSION OF ALTINKAYA ENCLOSURES IS PROHIBITED.</small>			ARTICLE NO.:	REVISION:
<small>DRAWN</small> Dursun Daşdemir 04.03.10 <small>CHECKED</small> Ali Altınışık 04.03.10 <small>COMMENTS:</small> <small>MATERIAL:</small> <small>WEIGHT:</small>			 <small>ENCLOSURES FOR ELECTRONICS</small> CONTACT: www.altinkaya.com.tr	TITLE:
			<h2>OP-310 Taban</h2>	
			<small>DWG NO.</small> OP-300-P-1-G-0-11794	<small>A3</small>
			<small>SCALE:1:1</small>	<small>SHEET 1 OF 1</small>



PROPRIETARY AND CONFIDENTIAL THE INFORMATION CONTAINED IN THIS DRAWING IS THE SOLE PROPERTY OF ALTINKAYA ENCLOSURES. ANY REPRODUCTION IN PART OR AS A WHOLE WITHOUT THE WRITTEN PERMISSION OF ALTINKAYA ENCLOSURES IS PROHIBITED.			ARTICLE NO.	REVISION:
			 ALTINKAYA ENCLOSURES FOR ELECTRONICS	CONTACT: www.altinkaya.com.tr
DRAWN	Dursun Daşdemir	04.03.10	TITLE: OP-310 Üst Kapak	
CHECKED	Ali Altınışık	04.03.10	DWG NO. OP-310-0-0-G-0-11440	
COMMENTS:			A3	
MATERIAL:			SCALE:1:1	
WEIGHT:			SHEET 1 OF 1	