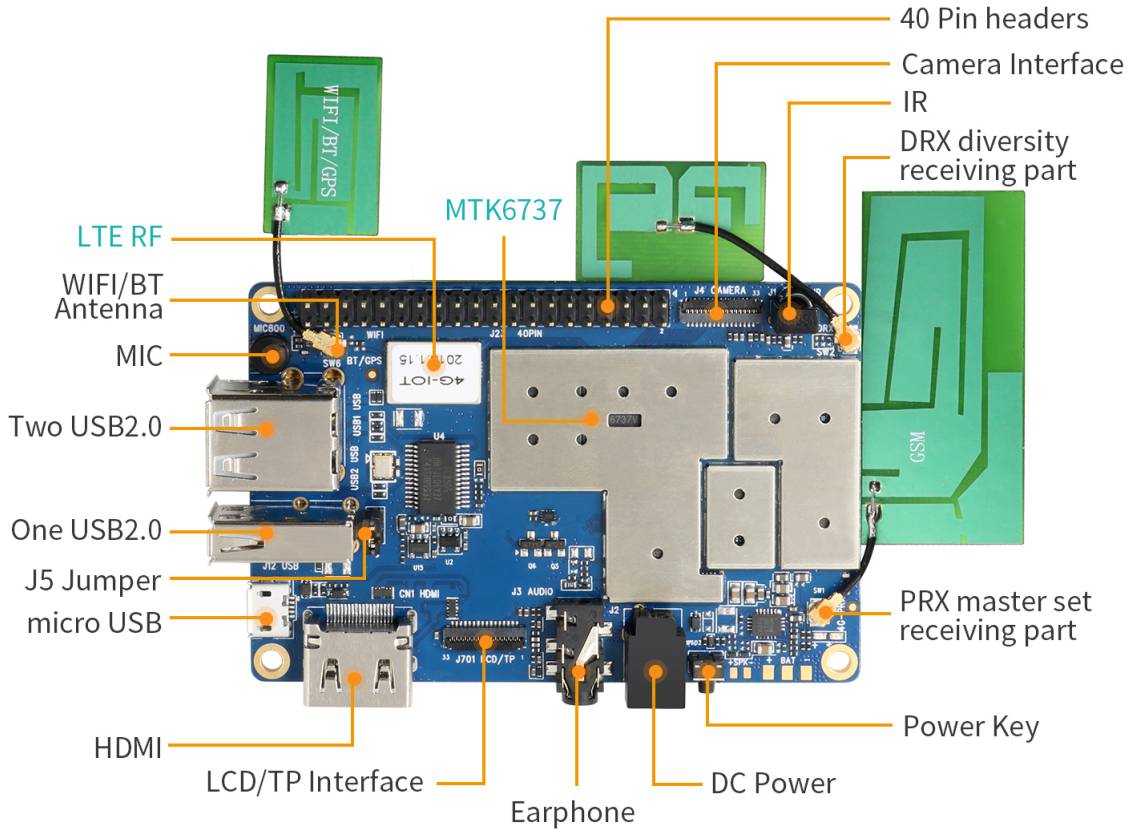


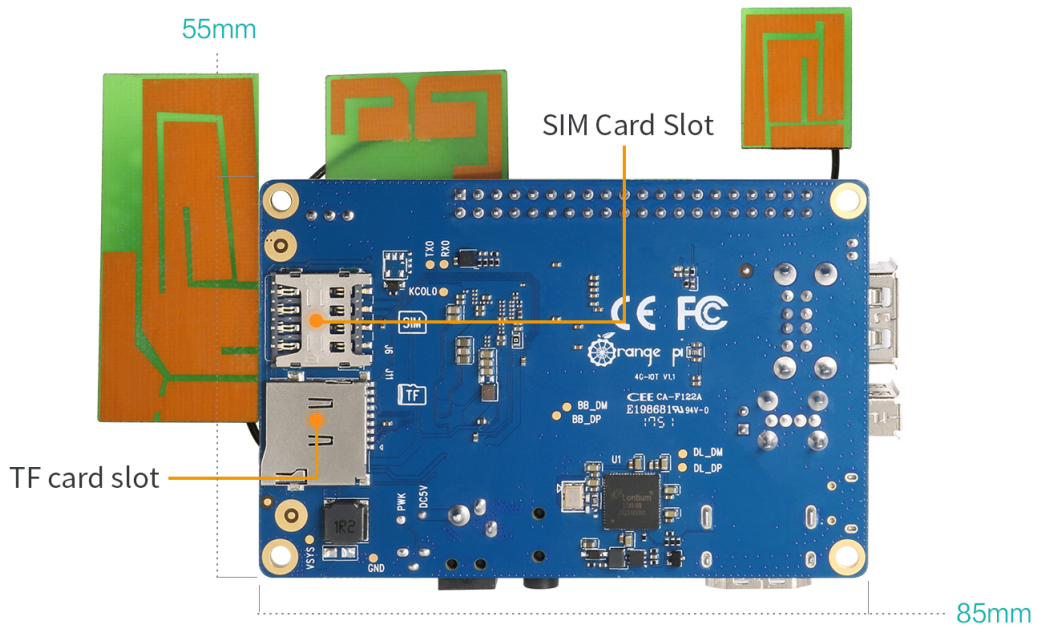
Orange Pi 4G-IOT?

It's an open-source single-board computer. It can run Android 6.0 Image. It uses the MTK serial of MT6737 SoC, and has 1GB DDR3 SDRAM.

Top view



Bottom view



What can I do with Orange Pi 4G-IOT?

Build...

A computer

A wireless server

Games

Music and sounds

HD video

A speaker

Android

Scratch

Pretty much anything else, because Orange Pi 4G-IOT is open source

Orange Pi 4G-IOT?

Orange Pi 4G-IOT is for anyone who wants to start creating with technology – not just consuming it. It's a simple, fun, useful tool that you can use to start taking control of the world around you.

Hardware specification

| | |
|-------------------|---|
| Processor | MT6737 |
| CPU | Quad core ARM® Cortex-A53, Main frequency up to 1.25GHz |
| GPU | • ARM Mali-T720 MP1 |
| Memory | 1GB DDR3 |
| Emmc | 8GB EMMC Flash |
| Wireless | WIFI / BT / FM / GPS Four in one |
| Radio frequency | GSM: 900/1800 (850/1900 optional) WCDMA: B1/B8 (B2/B4/B5 optional) TD-CDMA CDMA2000 FDD-LTE: B1/B3/B7/B20 (B2/B4/B17 optional) TDD-LTE: B38/40/41B |
| Display | HD |
| Capacitance touch | Support |

| | |
|-----------------------------|--|
| Camera | 13M (25pin ZIF Connector) |
| Accelerometer Sensor | Support |
| IR Control | Support (Adapted iDroid remote controller) |
| Fingerprint Identification | Support |
| SIM Card | mini Single SIM Card |
| TF Card | Support hot-plugging |
| Audio | Earphone: For audio input / output Mic: For audio input |
| USB | USB Host × 3: Support OTG Micro USB × 1: Only for writing image |
| LED | Power Indicator LED:Red Status Indicator LED: Green |
| Key | Power |
| HDMI | Support |
| Low-level peripherals | 40pin Headers: 1.8V, SPI × 2 , I2C × 3, UART × 2 |
| Power | DC : 5V 2A Battery:Connection through a weld plate |
| OS | Android 6.0 |
| Programming support | C、C++、 Kotlin、 Java、 Shell、 Pyhon |
| Interface definition | |
| Size | 55mm × 85mm |
| Weight | 43g |