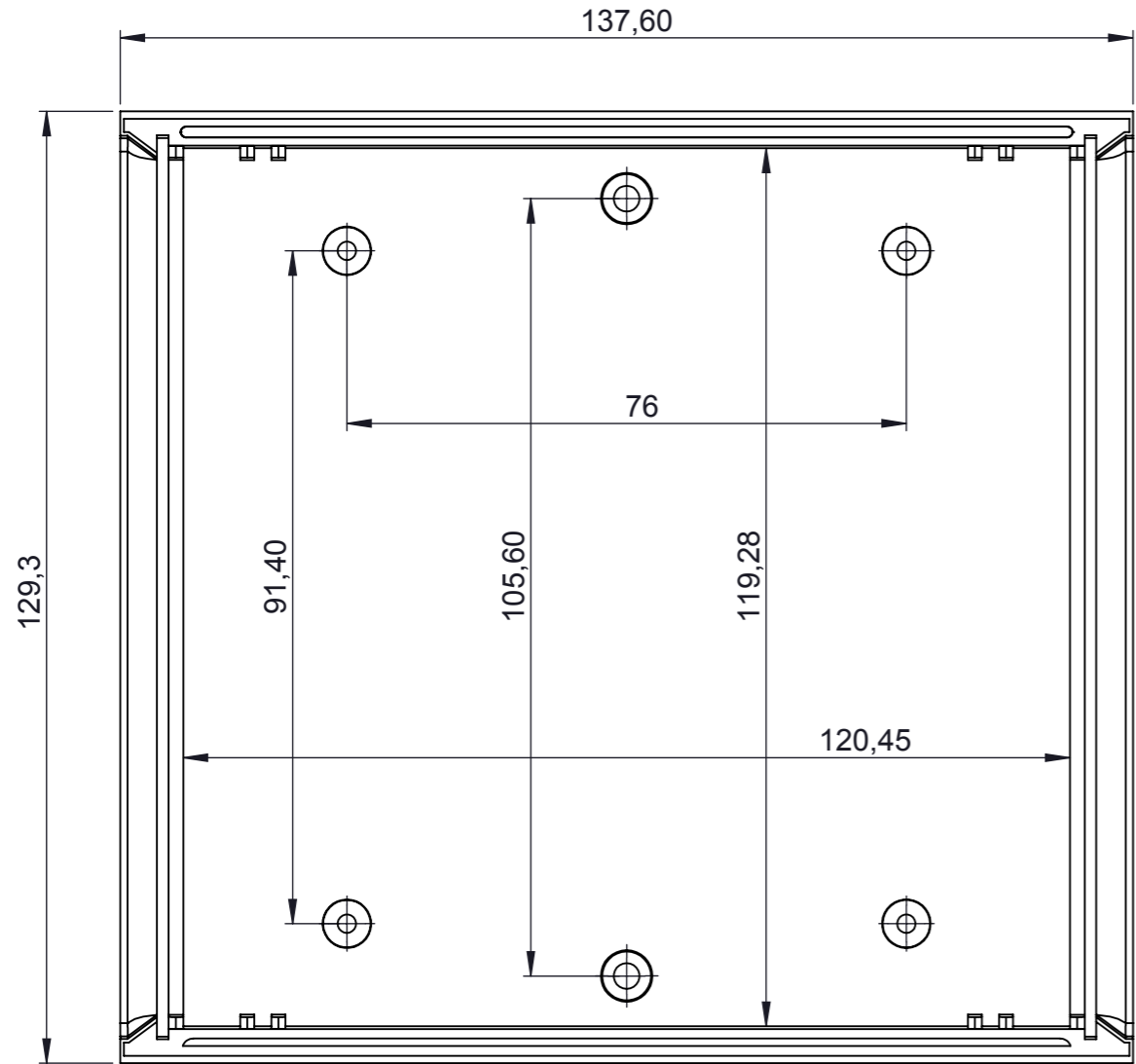
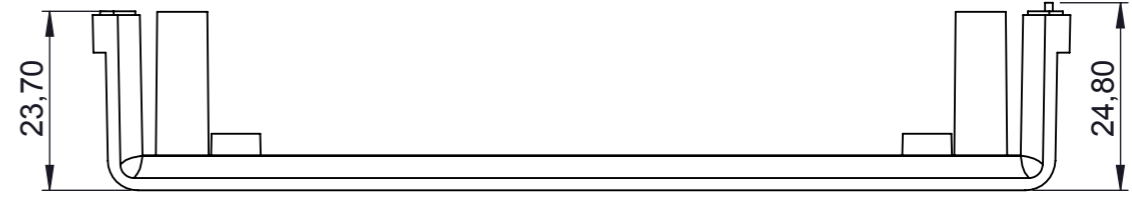
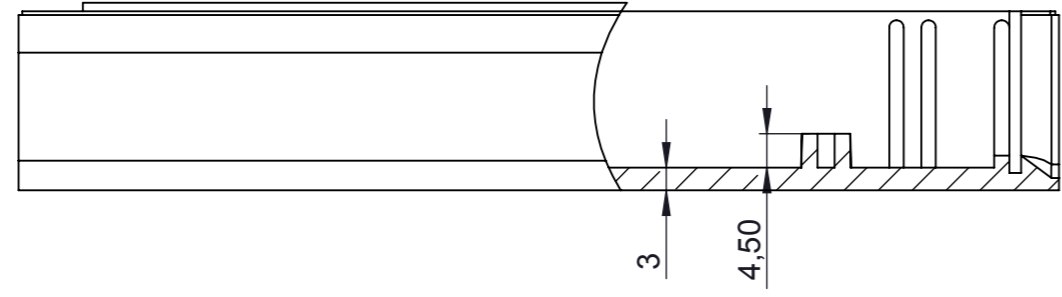



DIKKAT: BU RESİM VE ÜRÜN ÖNCEDEN HABER VERİLMEKSİZİN DEĞİŞTİRİLEBİLİR. RESİM ÇİZİLMESİNE RAGMEN RESİMDE HATALAR BULUNABİLİR. RESİMDEKİ HATALARDAN DOLAYI OLUŞABİLECEK ZARARLAR İÇİN ALTINKAYA HiÇ BİR SORUMLULUK KABUL ETMEZ. BÜTÜN ÖLÇÜLER KULLANILMADAN ÖNCE ÜRETİLMİŞ GERÇEK BİR NUMUNEDEN KONTROL EDİLMELİDİR.

PROPRIETARY AND CONFIDENTIAL THE INFORMATION CONTAINED IN THIS DRAWING IS THE SOLE PROPERTY OF ALTINKAYA ENCLOSURES. ANY REPRODUCTION IN PART OR AS A WHOLE WITHOUT THE WRITTEN PERMISSION OF ALTINKAYA ENCLOSURES IS PROHIBITED.		ARTICLE NO:	REVISION:
DRAWN Dursun Daşdemir 02.06.11		CONTACT: <b>www.altinkaya.com.tr</b>	TITLE: <b>Proje Kutusu</b>
CHECKED Ali Altınışık 02.06.11			
COMMENTS: This drawing is subject to technical modification without prior notice. Typographical and other errors do not justify any claims for damages. All dimensions should be verified using an actual produced part.		DWG NO: <b>DT-0505-0-0-G-0</b>	A3
MATERIAL:		SCALE:1:1	SHEET OF
WEIGHT:			



PROPRIETARY AND CONFIDENTIAL. THE INFORMATION CONTAINED IN THIS DRAWING IS THE SOLE PROPERTY OF ALTINKAYA ENCLOSURES. ANY REPRODUCTION IN PART OR AS A WHOLE WITHOUT THE WRITTEN PERMISSION OF ALTINKAYA ENCLOSURES IS PROHIBITED.		ARTICLE NO:	REVISION:
DRAWN Dursun Daşdemir 02.06.11 CHECKED Ali Altınışık 02.06.11		 CONTACT: <a href="http://www.altinkaya.com.tr">www.altinkaya.com.tr</a>	
COMMENTS: This drawing is subject to technical modification without prior notice. Typographical and other errors do not justify any claims for damages. All dimensions should be verified using an actual produced part.		TITLE: <h2 style="text-align: center;">Proje Kutusu</h2>	
MATERIAL:		DWG NO. DT-0505-P-1	A3
WEIGHT:		SCALE:1:1	SHEET OF

DİKKAT: BU RESİM VE ÜRÜN ÖNCEDEN  
 HABER VERİLMEKSİZİN DEĞİŞTİRİLEBİLİR.  
 RESİM ÇİZİLİRKEN HATASIZ OLMASINA  
 ÇALIŞILMASINA RAĞMEN RESİMDE  
 HATALAR BULUNABİLİR. RESİMDEKİ  
 HATALARDAN DOLAYI OLUŞABİLECEK  
 ZARARLAR İÇİN ALTINKAYA HiÇ BİR  
 SORUMLULUK KABUL ETMEZ. BÜTÜN  
 ÖLÇÜLER KULLANILMADAN ÖNCE  
 ÜRETİLMİŞ GERÇEK BİR NUMUNEDEN  
 KONTROL EDİLMELİDİR.