

Features

- Frequency Range: 860~930MHz
- One antenna to suit both 868MHz and 915 MHz bands
- Max Gain: 5.8dBi
- High efficiency
- Vertically polarized monopole
- Easy to mount with the included Installation kit

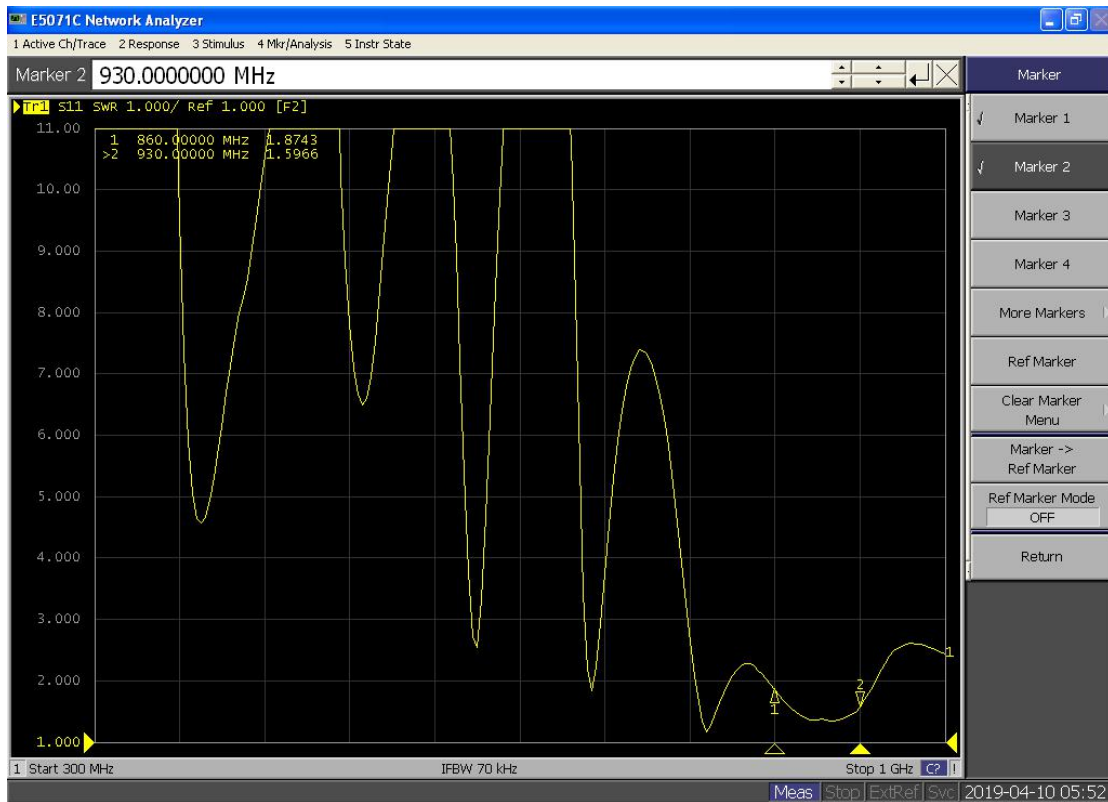
Specifications

| | |
|-----------------------|-------------------|
| Frequency range (MHz) | 860 - 930 |
| Gain (dBi) | 5.1 – 5.8 |
| VSWR | ≤ 2.0 |
| Radiation | 360° |
| Impedance (Ohms) | 50 |
| Polarization | Vertical |
| Power (Watts) | 20 |
| Radome Body | White Fiber glass |
| Connector | N-Type Male |
| Dimensions (mm) | Φ 25 x L800±10mm |
| Operation Temp (°C) | -40 ~ +60 |
| Storage Temp (°C) | -30 ~ +75 |



VSWR

| Frequency(MHz) | VSWR |
|----------------|--------|
| 860MHz | 1.9276 |
| 870MHz | 1.6932 |
| 896MHz | 1.0699 |
| 910MHz | 1.1168 |
| 920MHz | 1.2986 |
| 930MHz | 1.2889 |



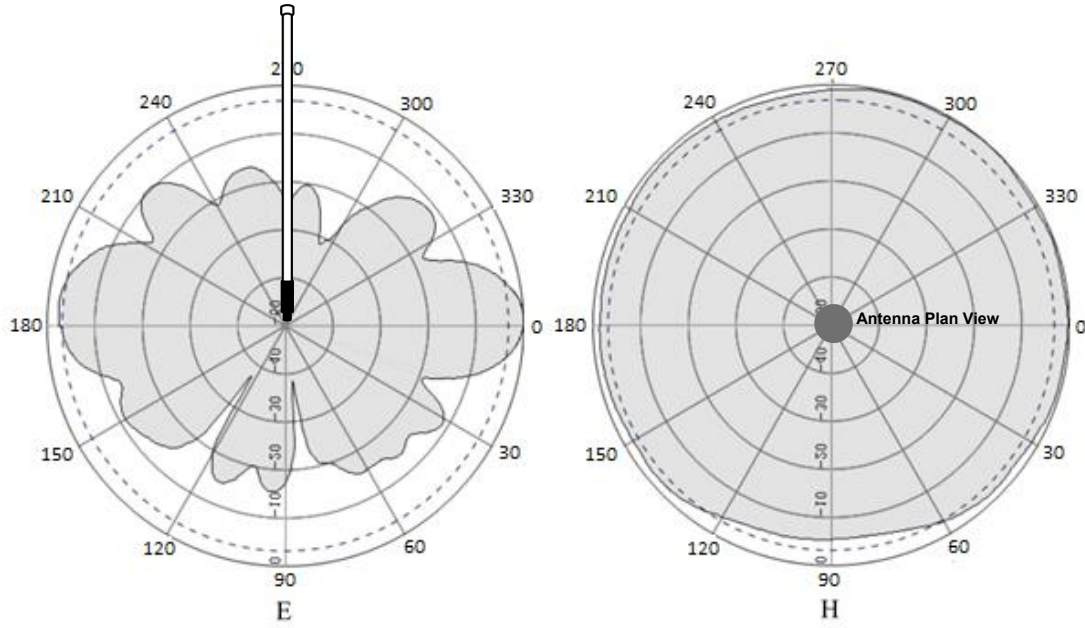
Efficiency vs Gain

| Frequency(MHz) | Efficiency (%) | Gain (dBi) |
|----------------|----------------|------------|
| 860 | 51 | 5.1 |
| 870 | 55 | 5.2 |
| 880 | 58 | 5.5 |
| 890 | 60 | 5.6 |
| 900 | 64 | 5.8 |
| 910 | 65 | 5.7 |
| 920 | 66 | 5.7 |
| 930 | 66 | 5.5 |

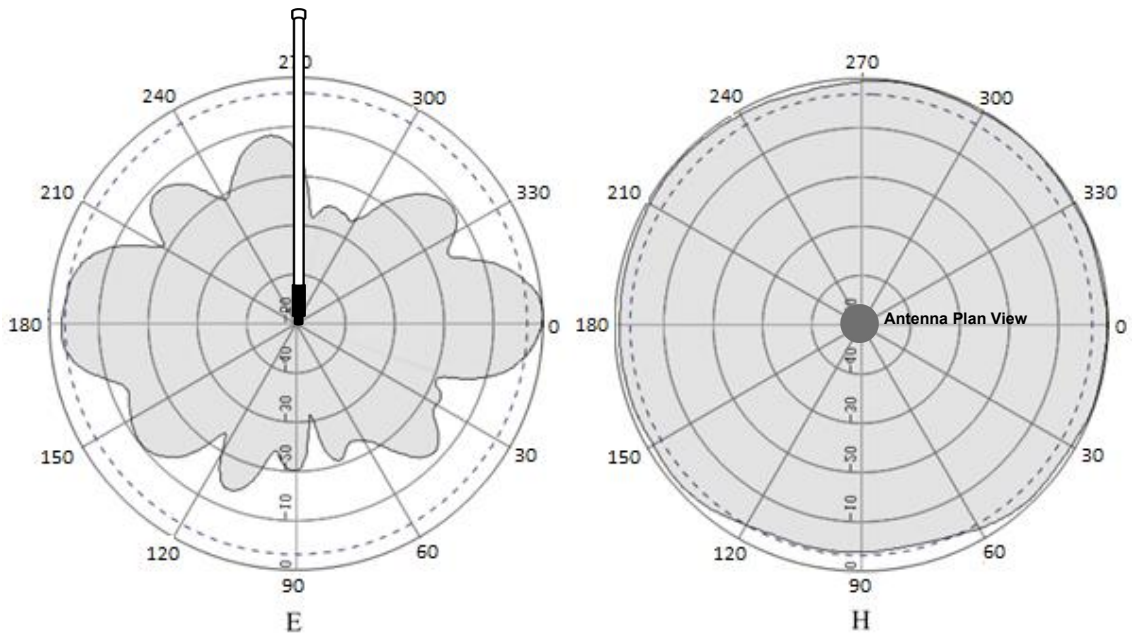


Antenna Patterns

860MHz

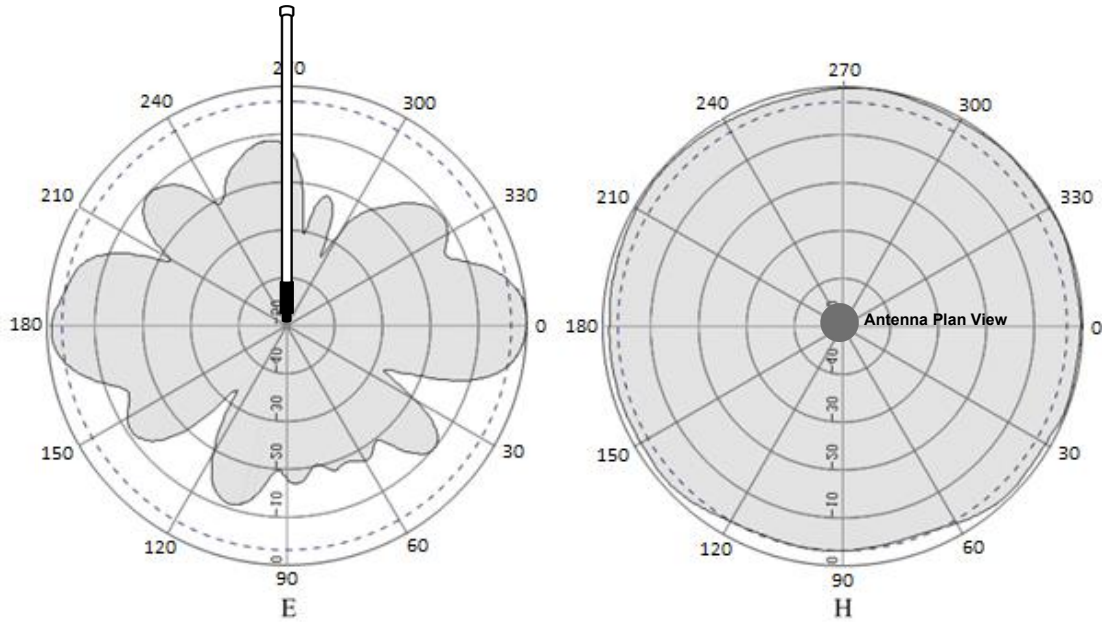


870MHz

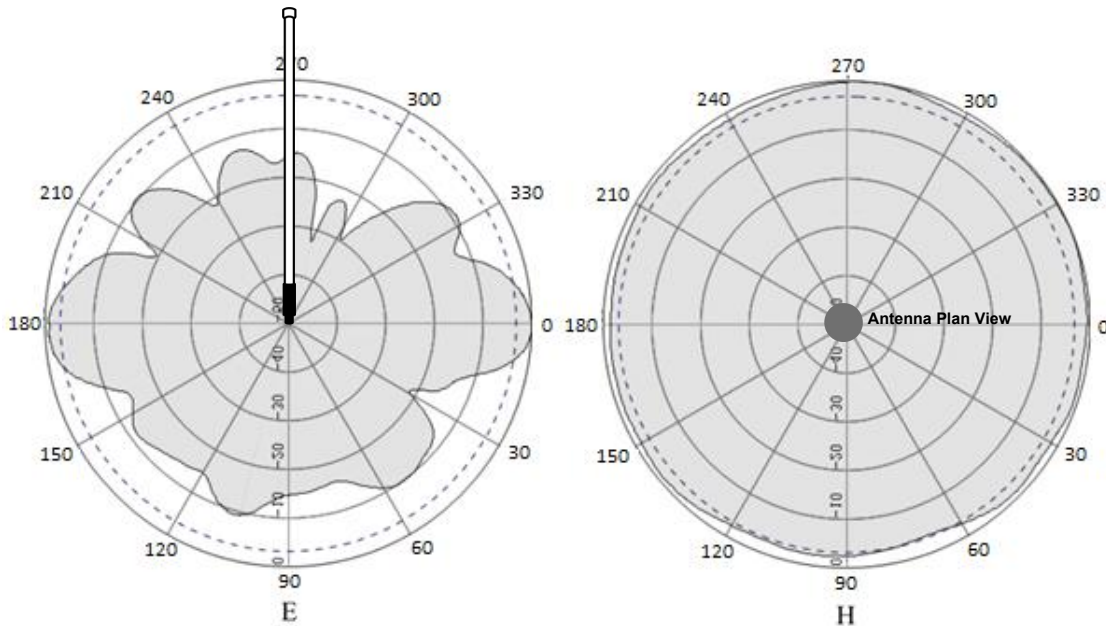




880MHz

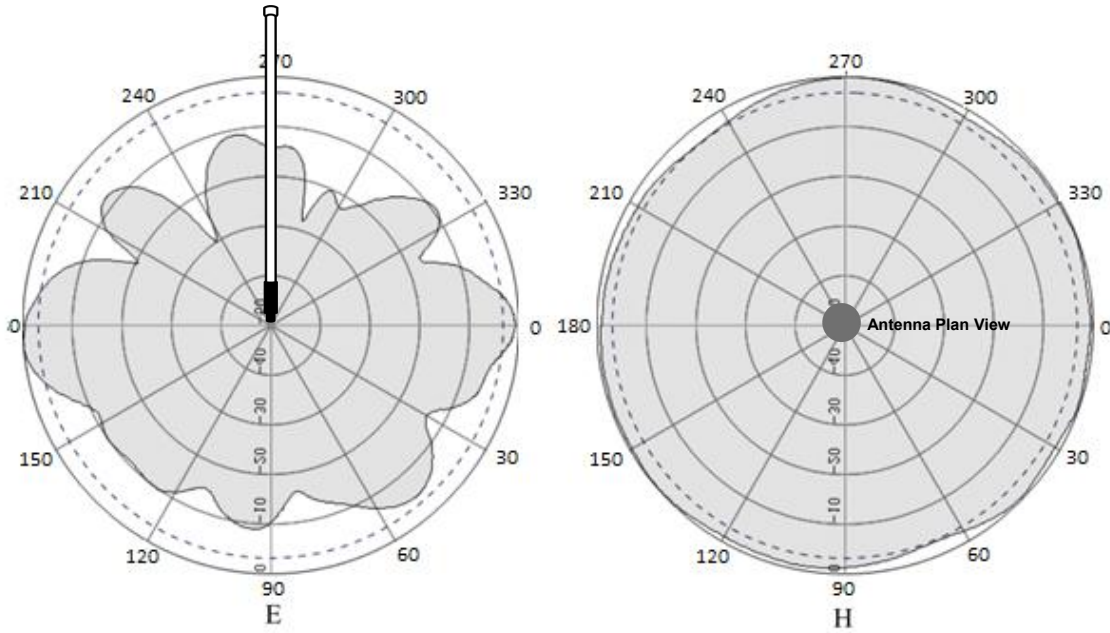


890MHz

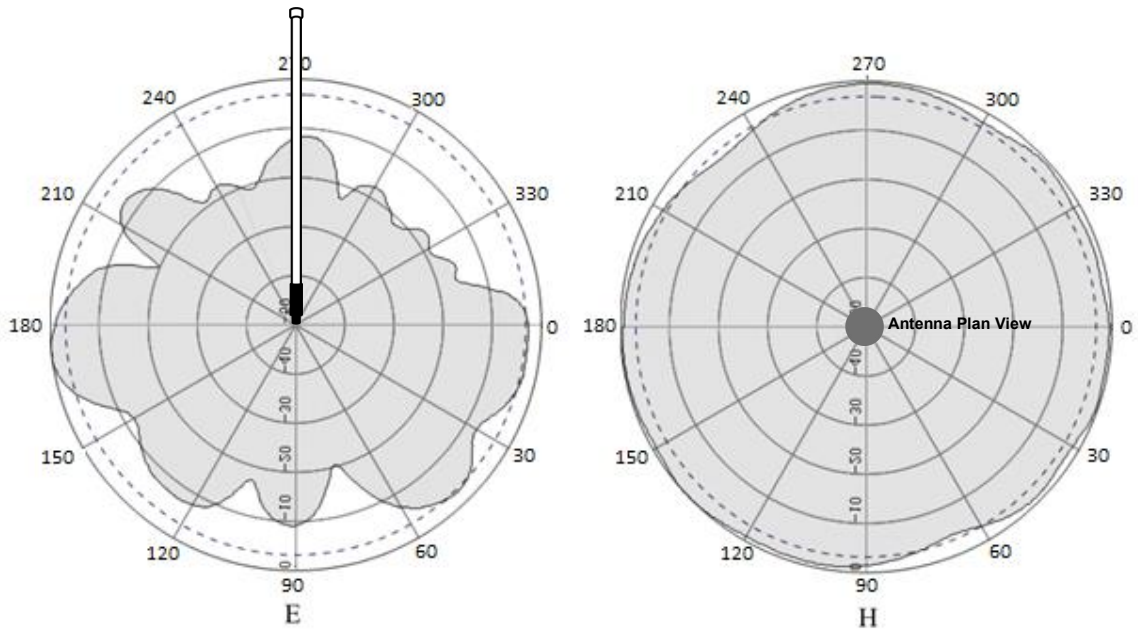




900MHz

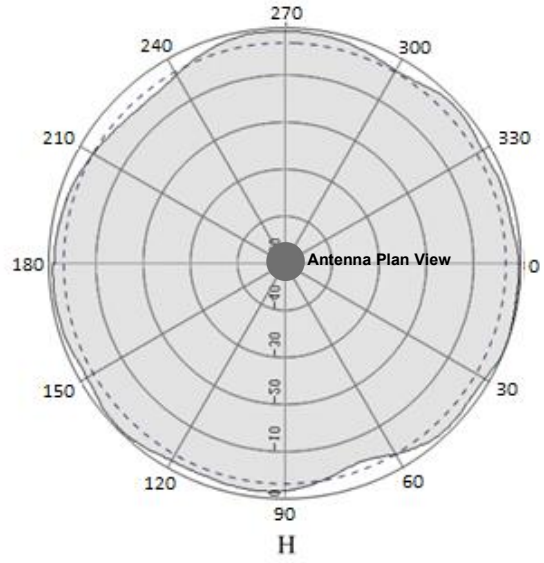
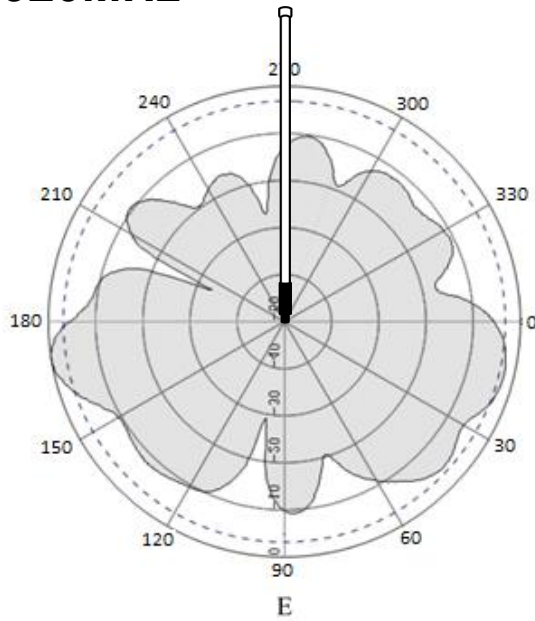


915MHz

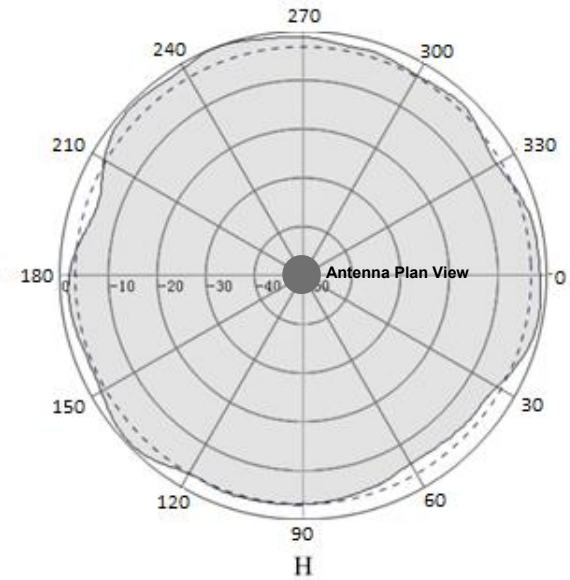
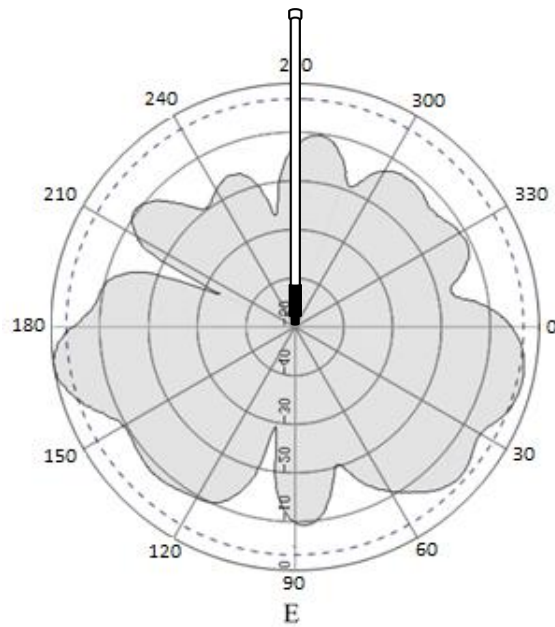




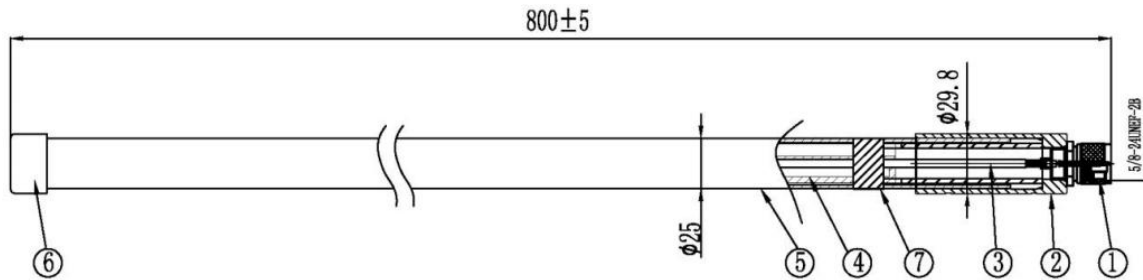
920MHz



925MHz



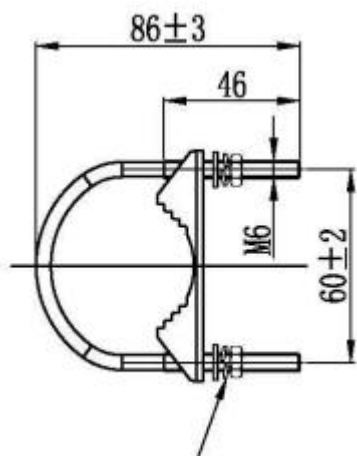
Mechanical Specifications



1. N-Type Male connector
2. $\phi 25$ pipe fixed seat
3. 86 / 93 stripper diagram
4. 860-930MHz 6dBi-PCB
5. $\phi 25 \times 750 \times 2\text{mm}$ fiber glass tube
6. $\phi 28 \times 18\text{mm}$ antenna cap
7. 860-930MHz label

Installation

- U-shaped steel clip, dimensions are shown in the following figure.



Comes with a pair of M6 nuts, spring washers and flat washers

