

RAK811 TrackerBoard Datasheet

V1.0

© 2017 Rakwireless all rights reserved .

Mentioned in this document , the actual company and product names, trademarks are their respective owners.

After update the new version, this document without prior notice.

Content

| | |
|---|----|
| RAK811 TrackerBoard Datasheet V1.0..... | 1 |
| 1. Introduction..... | 3 |
| 2. Feature | 4 |
| 3. System Diagram | 5 |
| 4. Pin definition | 6 |
| 5. Hardware Schematics | 7 |
| 6. Ordering Information..... | 8 |
| 7. Contact information | 9 |
| 8. Revision History..... | 10 |

rakwireless

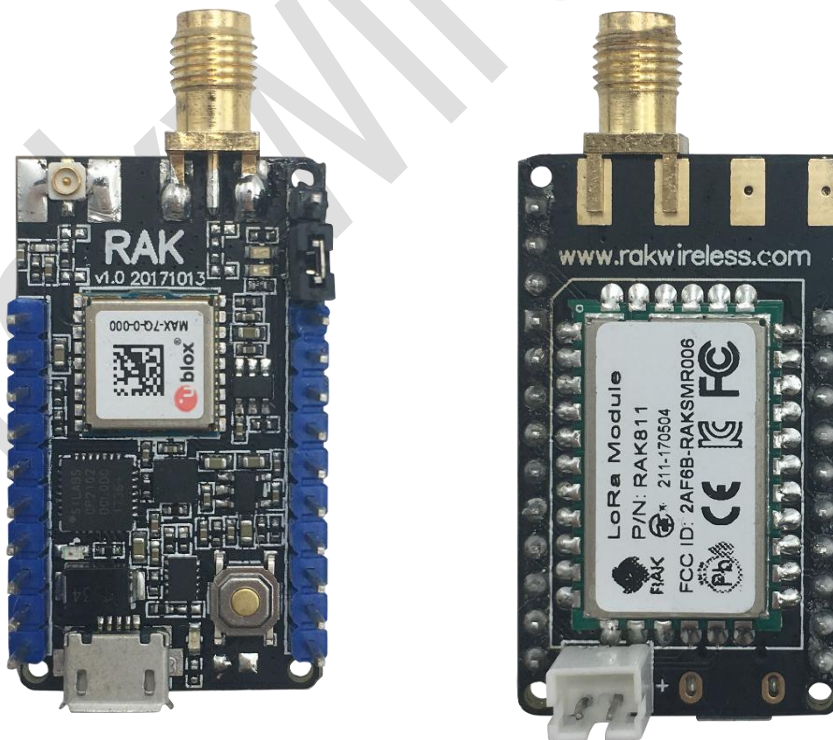
1. Introduction

RAK811 TrackerBoard is a wireless remote positioning solution based on RAK811 + GPS + MEMS. The RAK811 TrackerBoard uses the latest LoRaWAN1.0.2 protocol and supports LoRaWAN working mode, allowing users to conveniently link to the LoRaWAN network.

RAK811 TrackerBoard is an open all source code products, users can github find all the source code. About parameter configuration, the user can use the source code to develop their own serial AT command, can also be set directly in the program.

RAK811 TrackerBoard battery-powered, greatly increasing the product's application scenarios, in the outdoors can be very easy to use. Built-in 3D acceleration chip, you can detect the user's motion status, determine the device is stationary, it will enter the low-power mode, reducing the overall power consumption and increase battery life. The device with the data visualization interface provided by the Cayenne platform, allowing users to easily know their own trajectory. View your location in real time.

The difference between the RAK811 TrackerBoard and the RAK811 SensorNodeBoard is GPS, and the others are the same. How to use, you can refer to: [RAK811 TrackerBoard User Manual](#)

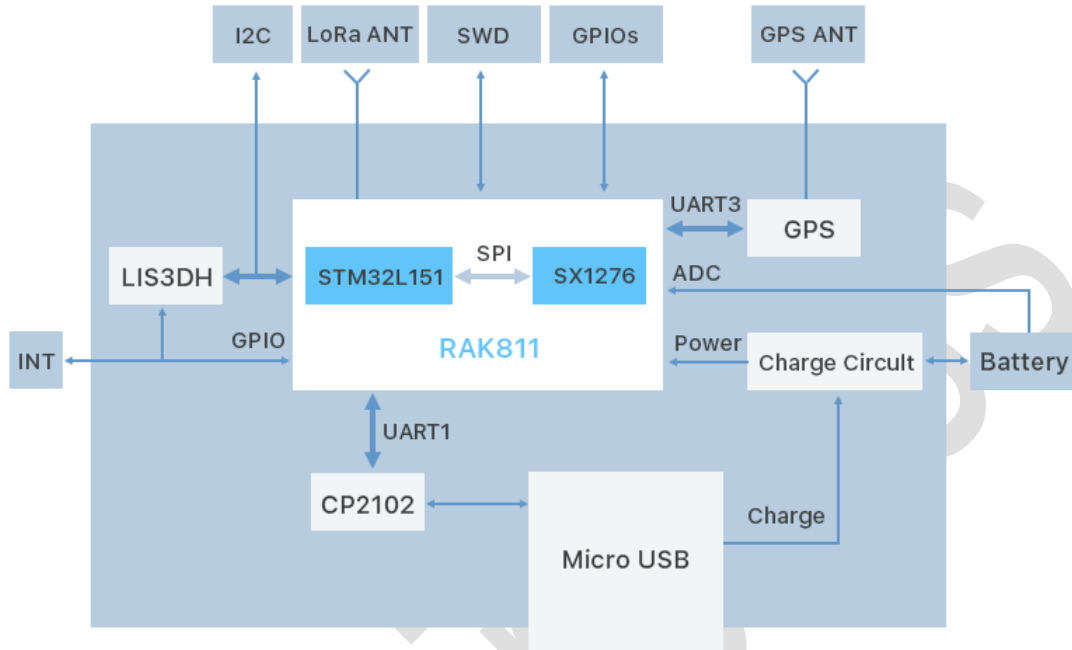


2. Feature

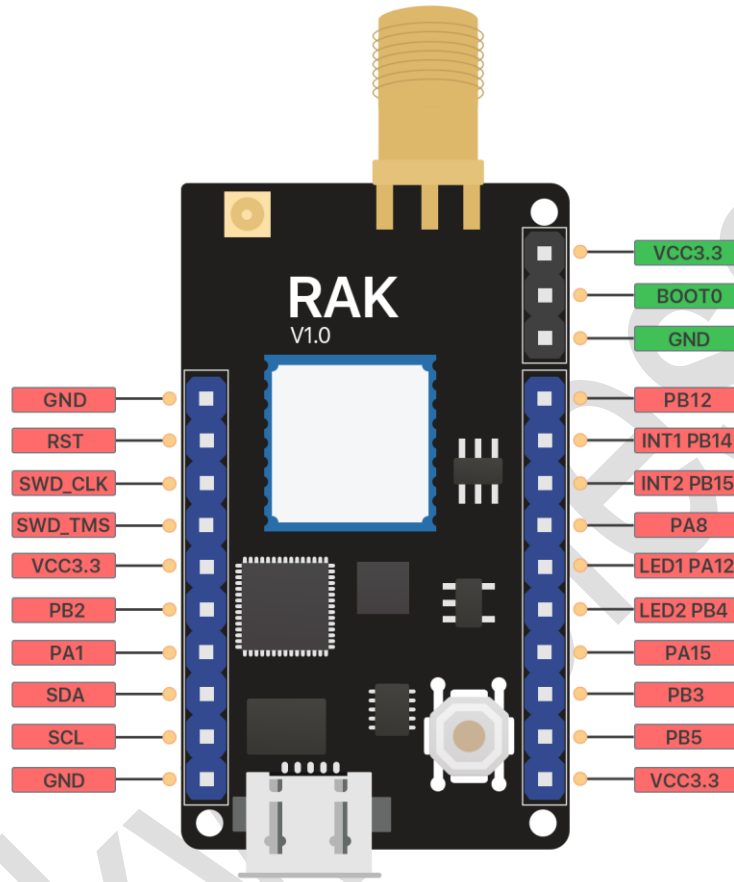
| | |
|------------------------|---|
| Model | RAK811 TrackerBoard |
| Device size | 54mm x 22mm x17mm(With antenna interface) |
| Battery | 2200mAh (To be ordered individually) |
| Battery working time | 2 year(Chargeable) |
| Power consumption | TBD |
| Operation temperature | -20°C ~ 60°C |
| Working environment | Outdoor |
| Equipped with module | RAK811+GPS+MEMS |
| LoRaWAN Version | V1.0.2 |
| Network Activation way | ABP and OTAA |
| Open source code | Yes |
| Charging interface | Micro USB |

Note: the open source code link: https://github.com/RAKWireless/RAK811_BreakBoard

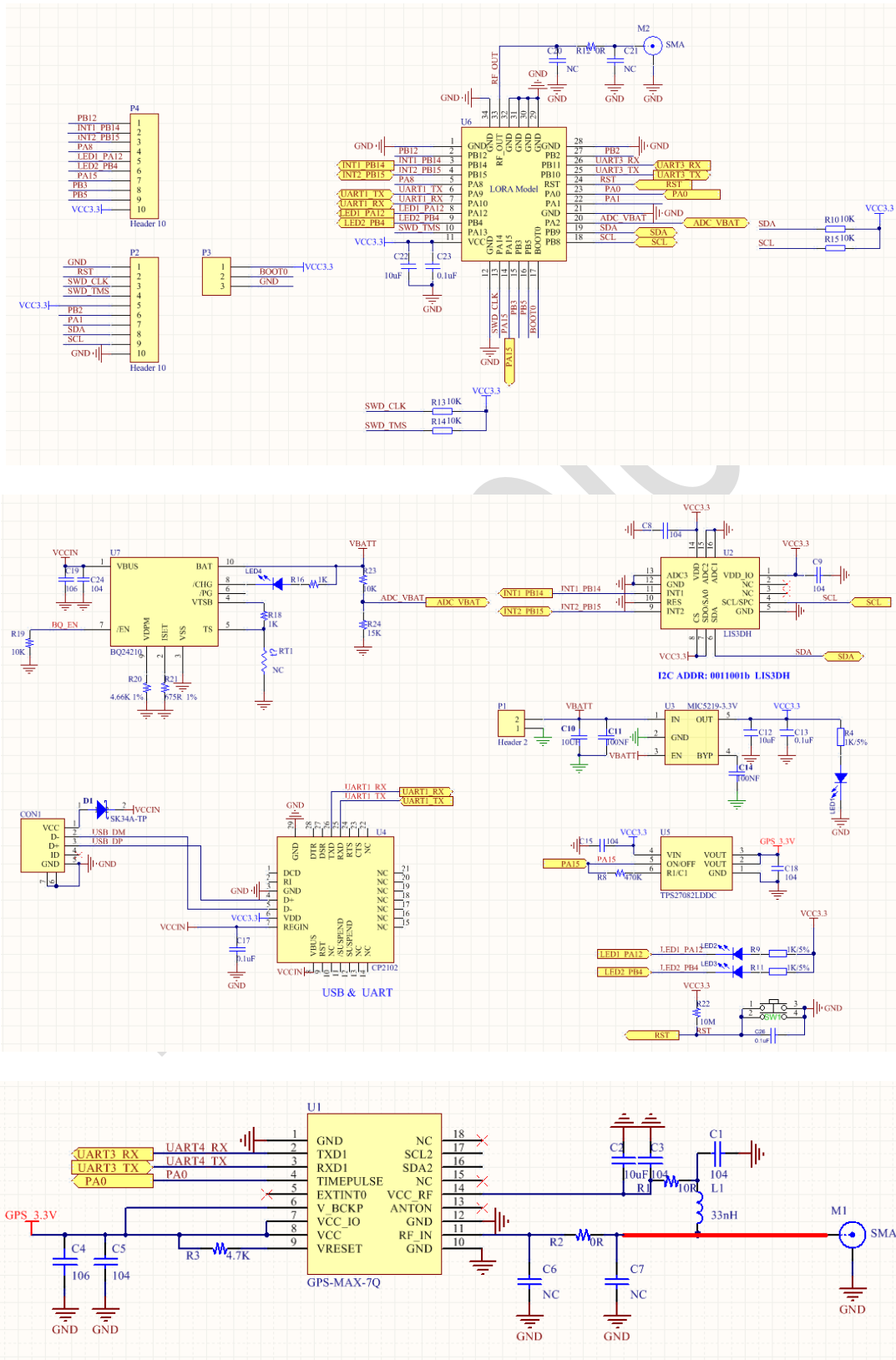
3. System Diagram



4. Pin definition



5. Hardware Schematics



6. Ordering Information

| Product | Describe | Activation |
|---------------------|---|------------|
| RAK811 TrackerBoard | LoRaWAN Region Support EU868,US915,AS923,AU915, KR920,IN865 | OTAA/ABP |

7. Contact information

Shanghai

FAE mailbox: allan.jin@rakwireless.com

Tel : 185-1082-5762

Address: Room B205, Green light kechuang garden, 2588 Lane, Hongmei South road,
Minhang District, Shanghai

Shenzhen

FAE mailbox: steven.tang@rakwireless.com

Tel : 0755-26506594

Fax: 0755-86152201

Address: Room 802, Yongfu building, No.1s06, Yongfu road, Baoan District ,
Shengzhen

8. Revision History

| Version | Date | Change | Author |
|---------|-----------|---------------|--------|
| V1.0 | 2017-12-1 | First release | Chace |