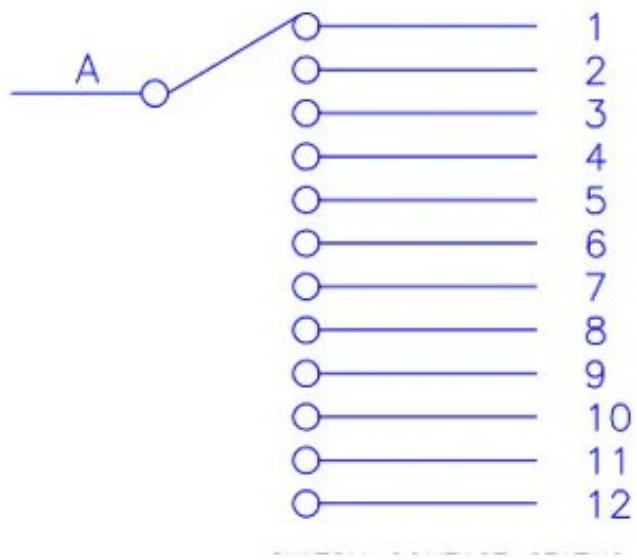
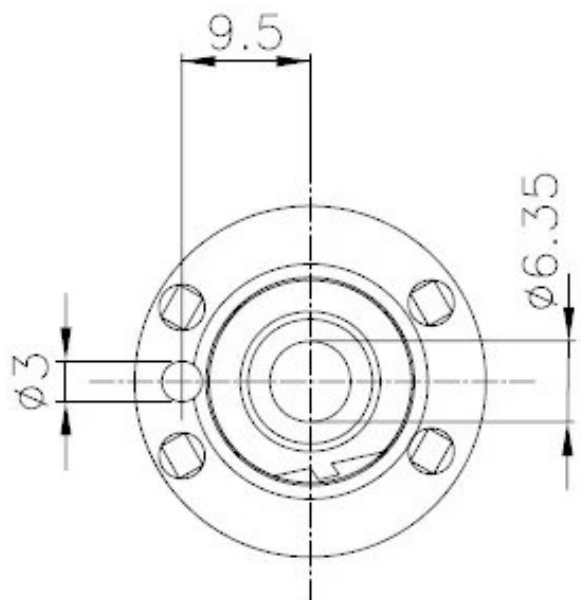
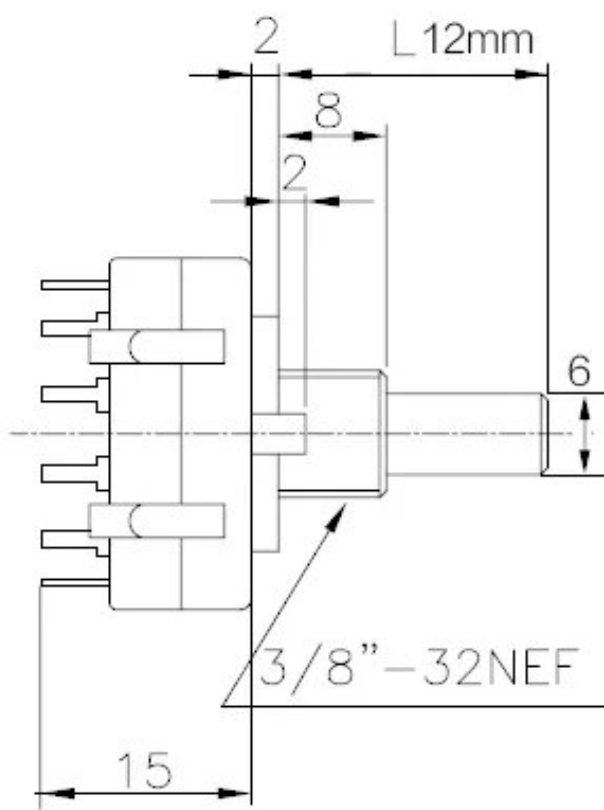
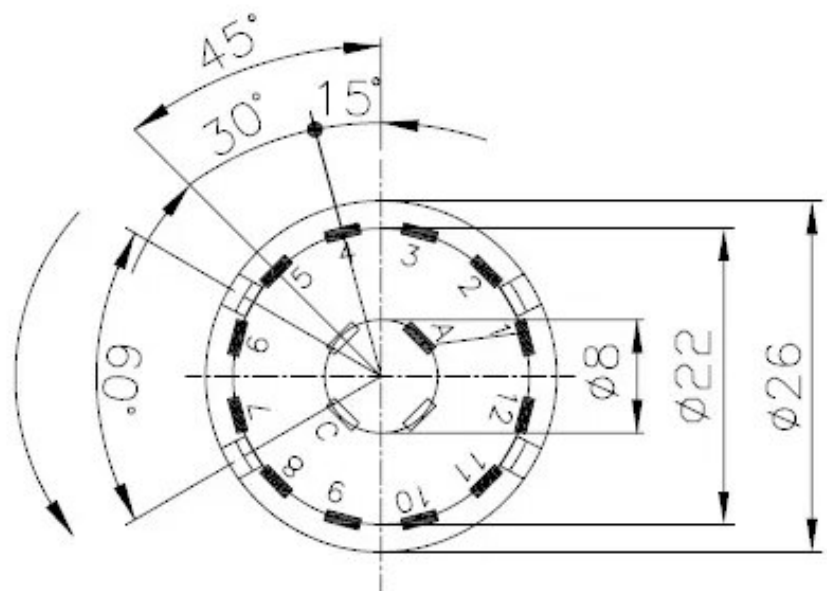
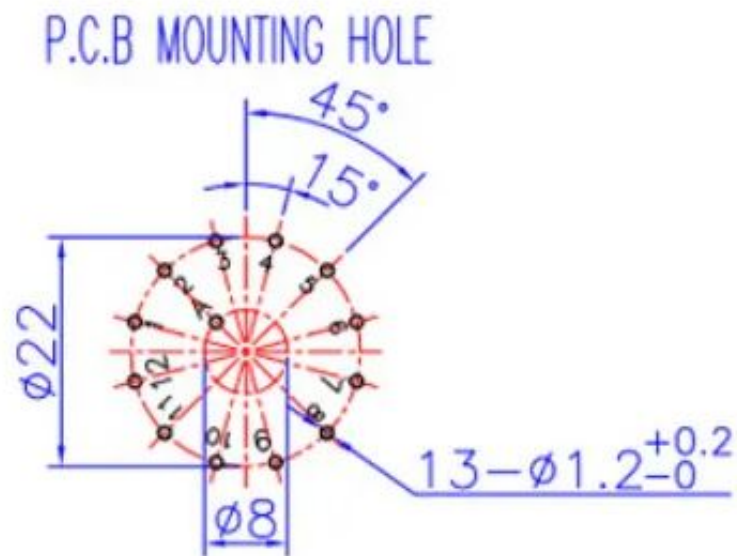


DIRECTION OF ROTATION





Rating: 125V AC 0.3A

Timing: Shorting

CHANGEOVER ANGLE= 30°

less than	10	± 0.3
above	10 ~ 30	± 0.5
above	30 ~ 100	± 1.0
above		$\pm 5^\circ$