

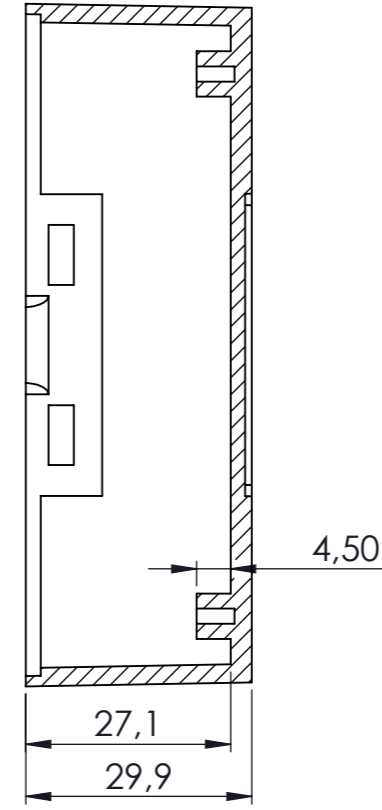
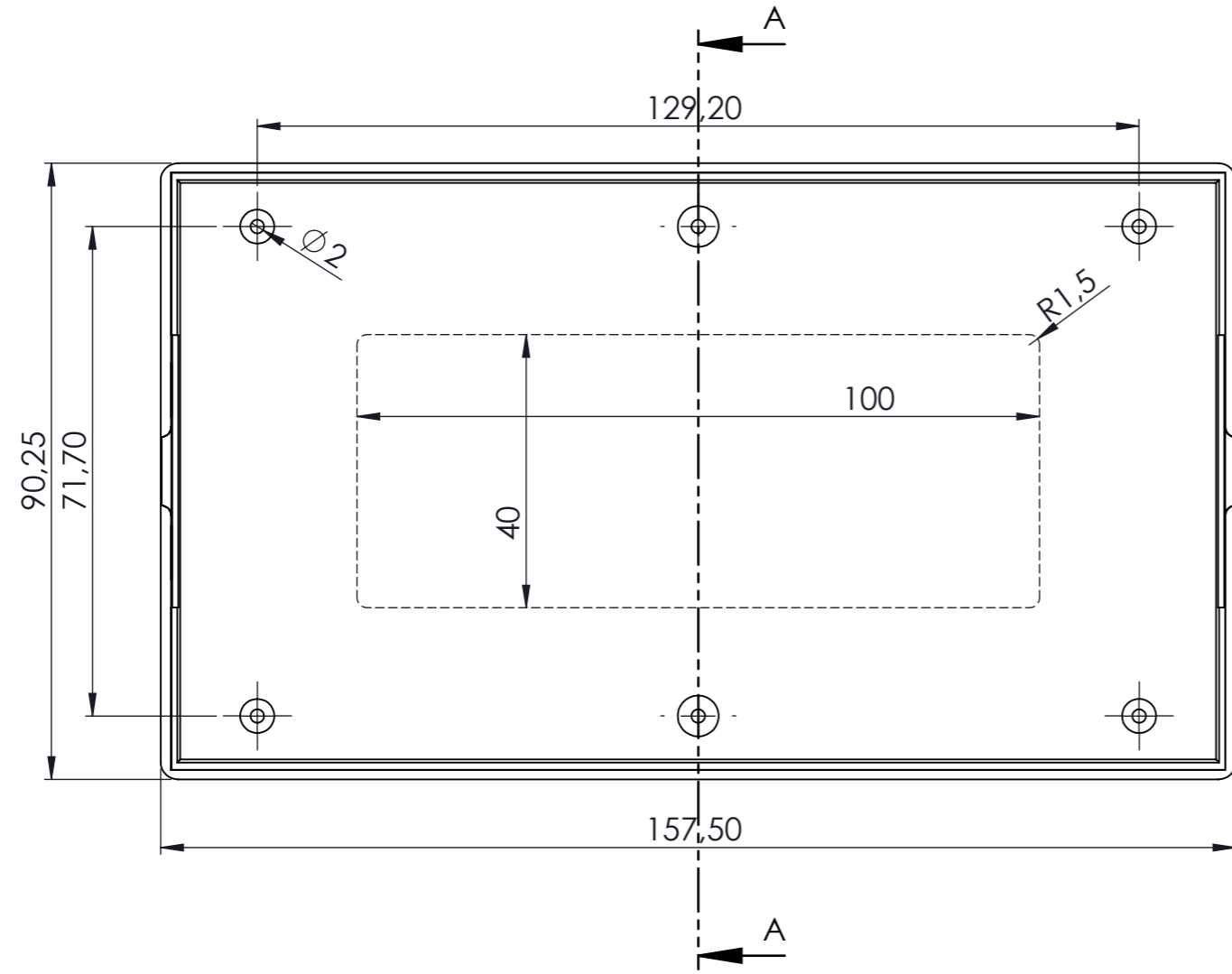
KESIT A-A

PROPRIETARY AND CONFIDENTIAL  
THE INFORMATION CONTAINED IN THIS  
DRAWING IS THE SOLE PROPERTY OF  
ALTINKAYA ENCLOSURES. ANY  
REPRODUCTION IN PART OR AS A WHOLE  
WITHOUT THE WRITTEN PERMISSION OF  
ALTINKAYA ENCLOSURES IS PROHIBITED.


	NAME	DATE
DRAWN	Dursun Daşdemir	30.01.15
CHECKED	Ali Altınışık	30.01.15
COMMENTS:		
MATERIAL:		
WEIGHT:		

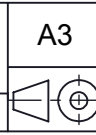
ARTICLE NO:	REVISION:	
 <b>ALTINKAYA</b> ENCLOSURES FOR ELECTRONICS		CONTACT: <a href="http://www.altinkaya.com.tr">www.altinkaya.com.tr</a>
TITLE:		
DWG NO:	<b>RT-409-0-0</b>	
	SCALE:1:1	SHEET 1 OF 1
		A3

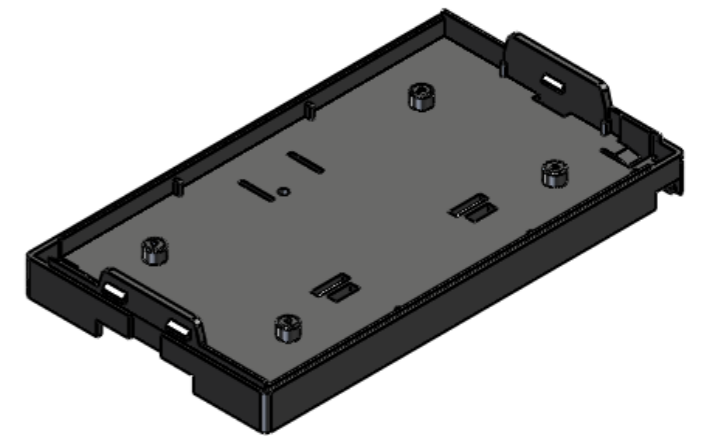
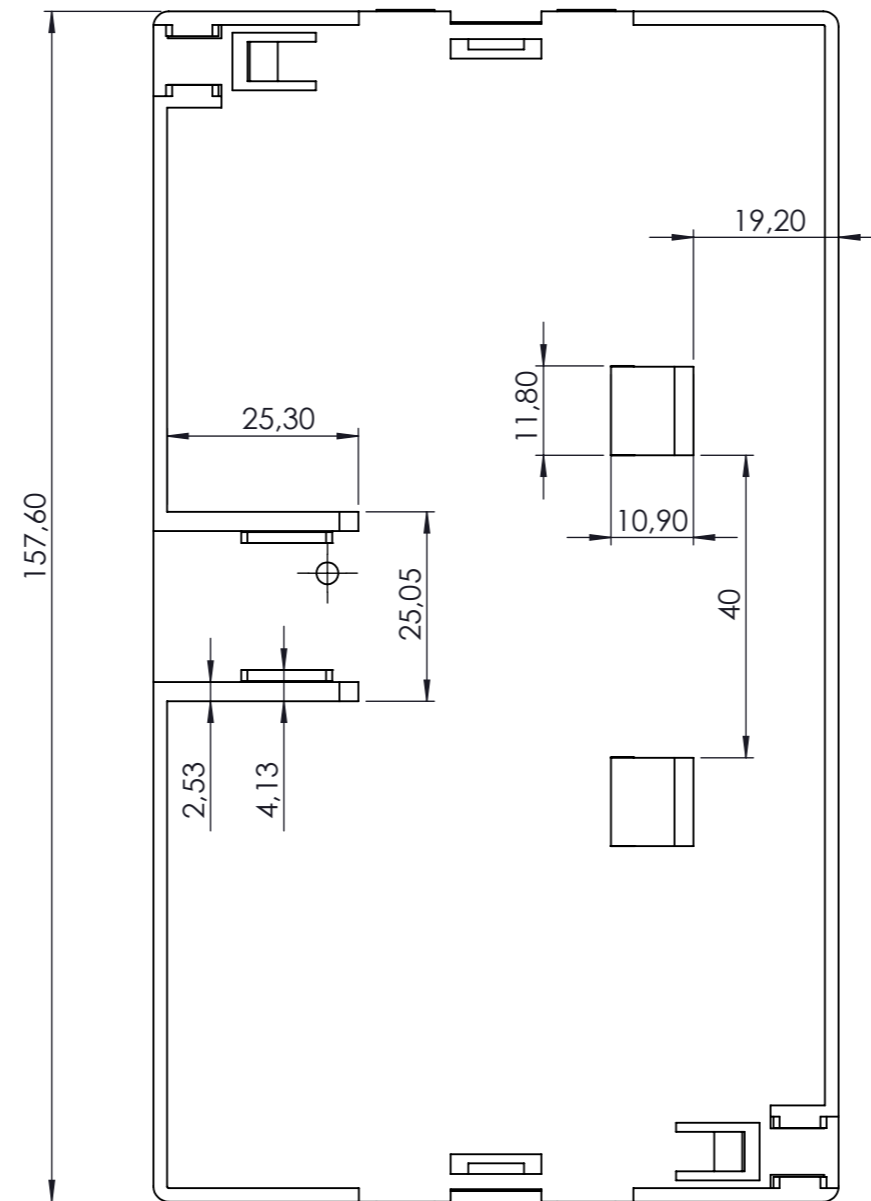
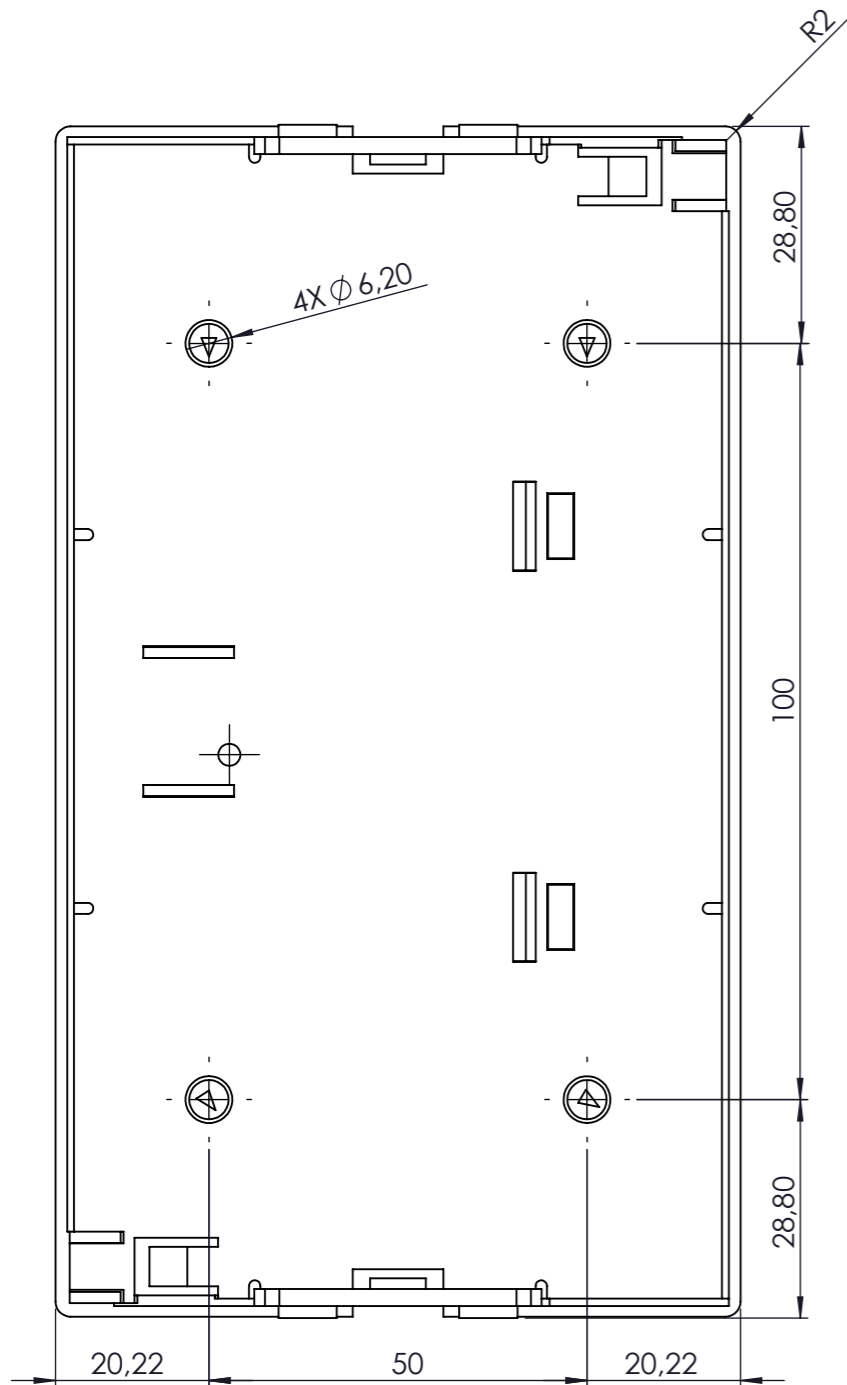
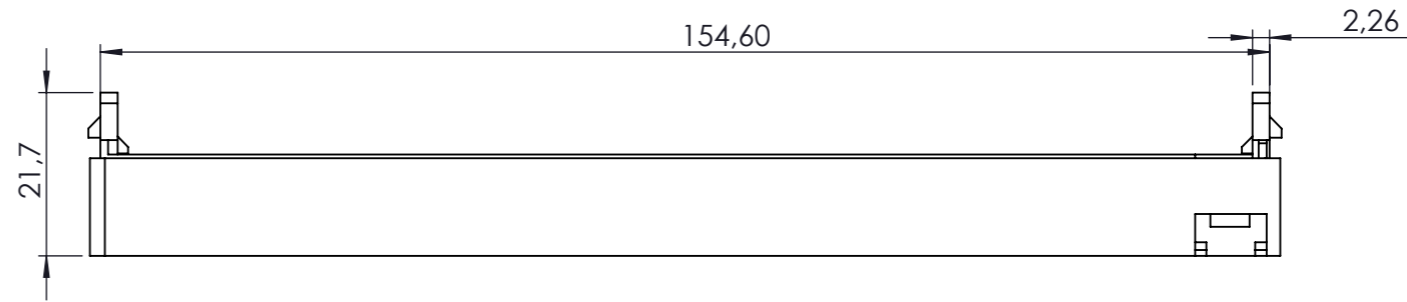
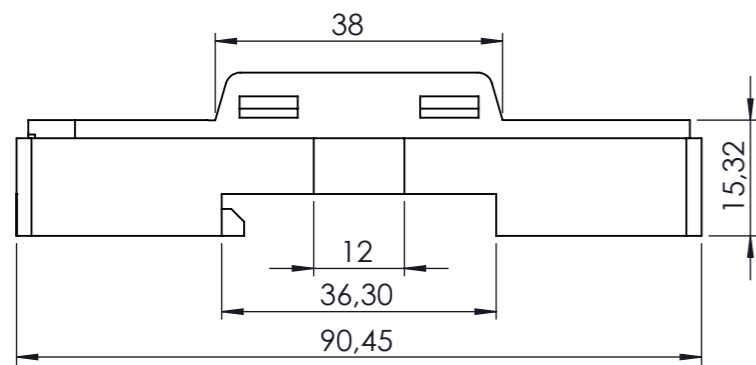





KESIT A-A

<small>PROPRIETARY AND CONFIDENTIAL THE INFORMATION CONTAINED IN THIS DRAWING IS THE SOLE PROPERTY OF ALTINKAYA ENCLOSURES. ANY REPRODUCTION IN PART OR AS A WHOLE WITHOUT THE WRITTEN PERMISSION OF ALTINKAYA ENCLOSURES IS PROHIBITED.</small>			ARTICLE NO:	REVISION:						
<table border="1"> <thead> <tr> <th>NAME</th> <th>DATE</th> </tr> </thead> <tbody> <tr> <td>DURUN DAŞDEMİR</td> <td>30.01.15</td> </tr> <tr> <td>ALİ ALTINŞIK</td> <td>30.01.15</td> </tr> </tbody> </table>			NAME	DATE	DURUN DAŞDEMİR	30.01.15	ALİ ALTINŞIK	30.01.15	 ENCLOSURES FOR ELECTRONICS	CONTACT: <a href="http://www.altinkaya.com.tr">www.altinkaya.com.tr</a>
NAME	DATE									
DURUN DAŞDEMİR	30.01.15									
ALİ ALTINŞIK	30.01.15									
DRAWN: Dursun Daşdemir 30.01.15 CHECKED: Ali Altınşık 30.01.15 COMMENTS:			TITLE:							
MATERIAL:			DWG NO: <b>RT-409-P-1</b>							
WEIGHT:			SCALE:1:1	SHEET 1 OF 1						





PROPRIETARY AND CONFIDENTIAL THE INFORMATION CONTAINED IN THIS DRAWING IS THE SOLE PROPERTY OF ALTINKAYA ENCLOSURES. ANY REPRODUCTION IN PART OR AS A WHOLE WITHOUT THE WRITTEN PERMISSION OF ALTINKAYA ENCLOSURES IS PROHIBITED.		ARTICLE NO.:	REVISION:
DRAWN: Dursun CAN CHECKED: Ali Altınışık COMMENTS:		 CONTACT: <a href="http://www.altinkaya.com.tr">www.altinkaya.com.tr</a>	TITLE:
MATERIAL:		DWG NO. <b>RT-209_DIN_BASE</b>	A3
WEIGHT:		SCALE:1:1	SHEET 1 OF 1