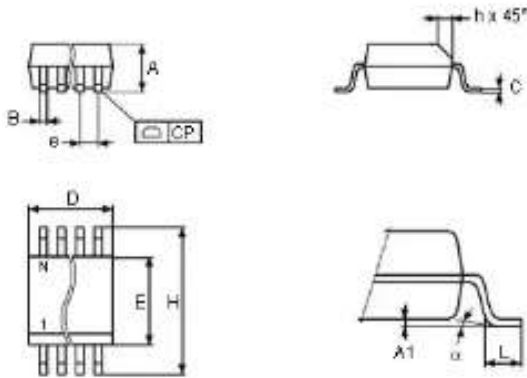


High quality and durable Tested before shipping programmer(1.27 Pitch) and all SOP8 narrow chips Suitable for ALL-11 Series,ALL-100GANG , LT-48 Series, Super PRO Series, TOP Series etc Support Chips: 24CXX, 93CXX, 25 Series and all SOP8 narrow chips
150mil Suit for below chip size:



50-2

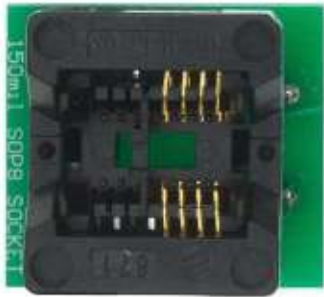
Symb.	mm			inches		
	Typ.	Min.	Max.	Typ.	Min.	Max.
A		1.35	1.75		0.053	0.069
A1		0.10	0.25		0.004	0.010
B		0.33	0.51		0.013	0.020
C		0.19	0.25		0.007	0.010
D		4.60	5.00		0.189	0.197
E		3.80	4.00		0.150	0.157
e	1.27	-	-	0.050	-	-
H		5.60	6.20		0.228	0.244
h		0.25	0.50		0.010	0.020
L		0.40	0.90		0.016	0.035
α		0°	8°		0°	8°
N		8			8	
CP			0.10			0.004

sop8 200mil-209mil green

High quality and durable Tested before shipping programmer(1.27 Pitch) and all SOP8 narrow chips Suitable for ALL-11 Series,ALL-100GANG , LT-48 Series, Super PRO Series, TOP Series etc Support Chips: 24CXX, 93CXX, 25 Series and all SOP8 narrow chips
300mil Suit for below chip size:

Features: This socket adapter can be used for universal programmers SOP16 to DIP8 used for 25 series flash IC adapter SOP16 to DIP8 300mil Gold Plated Adapter
Size: 2.7x2.5x1.7cm/1.06x0.98x0.67inch Quantity: 1 Pc Note: Due to the difference between different monitors, the picture may not reflect the actual color of the item.
Thank you! Compare the detail sizes with yours, please allow 1-4CM differs due to manual measurement, thanks!









Specifications

Package	DIP	is_customized	Yes
Model Number	SOIC8 SOP8 to DIP8	Operating Temperature	Socket
Dissipation Power	150mil	Supply Voltage	EZ Programmer Adapter
Application	Computer	Condition	New
Type	Voltage Regulator	Brand Name	SAMIORE ROBOT
Origin	Mainland China		