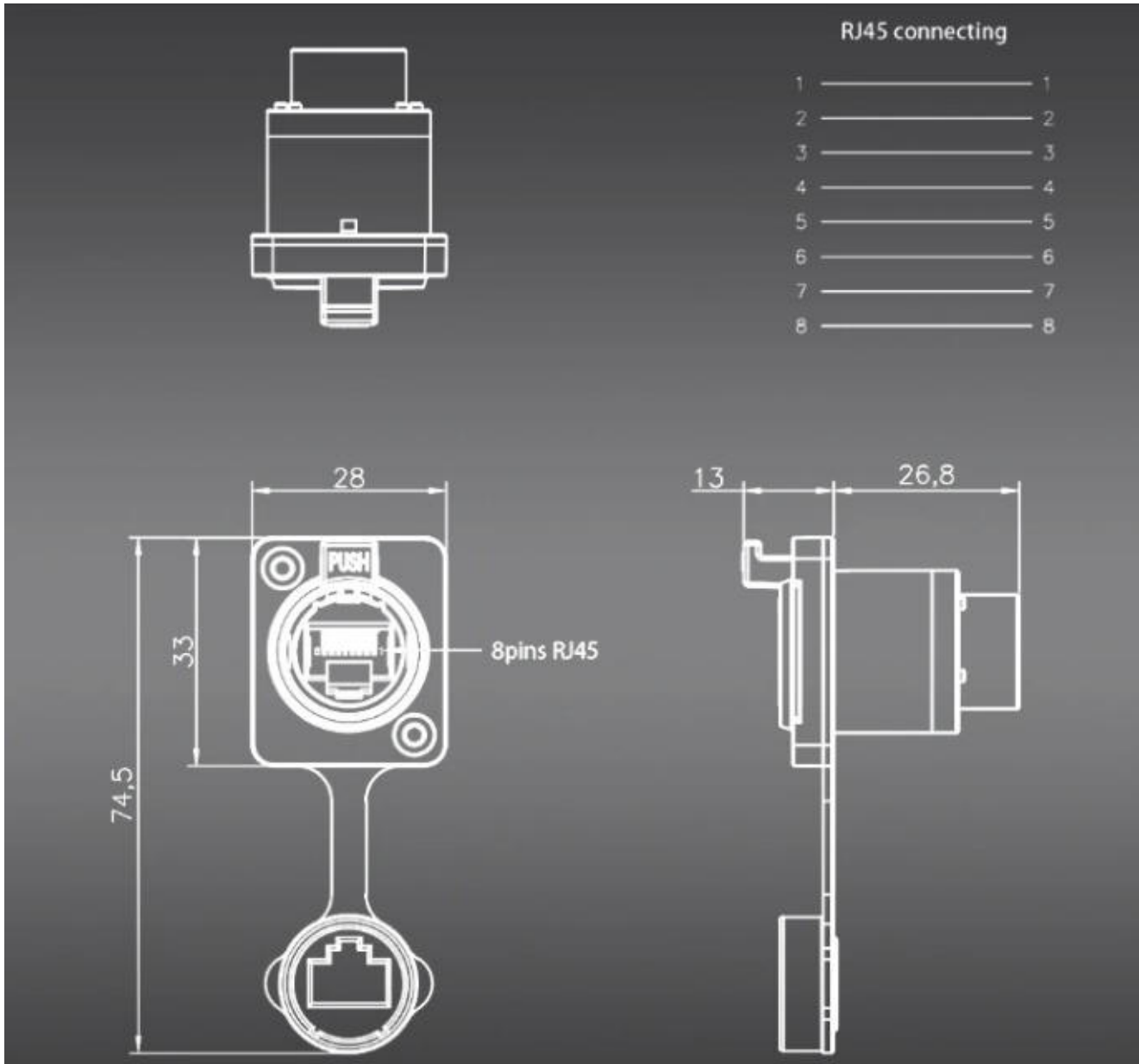
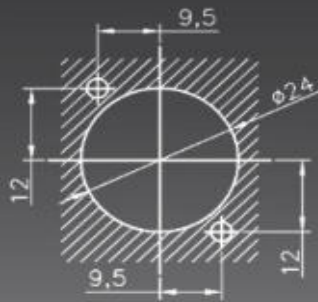


# RJ45 Waterproof Network Connector, Copper Pins 8p8c Female Chassis Panel Mount Sockets RJ45 Ethernet Connector IP65 Straight Type

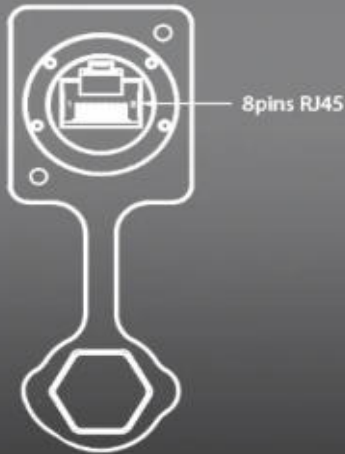
Connecting mode: Plug/unplug  
Protection level: IP65  
Cable specification: 0.15 mm<sup>2</sup> ~ 0.2 mm<sup>2</sup> /26~24 AWG  
Diameter range: Φ5.5mm ~Φ7mm  
Contact diameter×Qty: 8  
Current rating(A): 1.5A  
Operating voltage(AC.V.rms): 500V  
Withstand voltage(AC.V)1min: 2500V  
Contact resistance: <1mΩ  
Insulation resistance: >500MΩ  
Durability: ≥500 mating&unmating cycles  
Temperature rating: -40°C~80°C  
Method of connecting cable: Solder  
Prevent the combustion level: UL94-V0  
Temperature rise: 20A per contact at 30°C, 25A per contact at 40°C, 30A per contact at 50°C.  
Net Weight: 29.5g/pcs for male plug. 23.6g/pcs for female socket





Opening Diagram

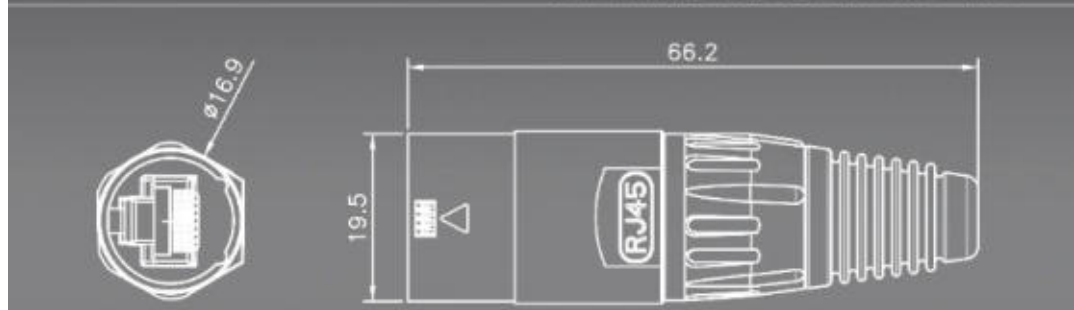
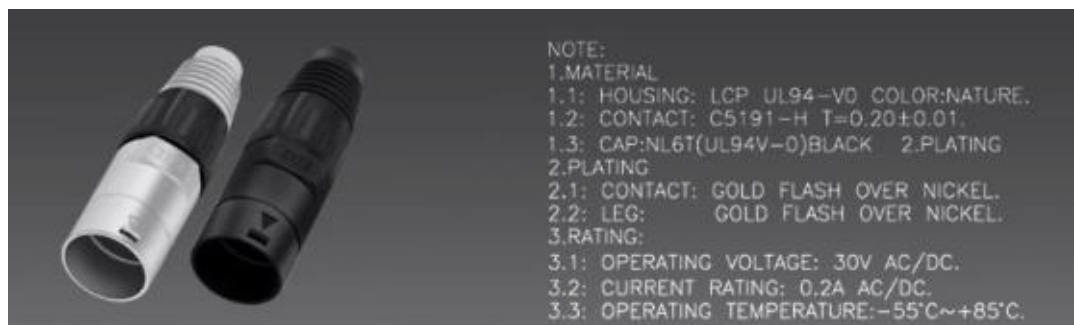
NOTE:  
 1.MATERIAL  
 1.1: HOUSING: LCP UL94-V0 COLOR:NATURE.  
 1.2: CONTACT: C5191-H T=0.20±0.01.  
 1.3: CAP:NL6T(UL94V-0)BLACK 2.PLATING  
 2.PLATING  
 2.1: CONTACT: GOLD FLASH OVER NICKEL.  
 2.2: LEG: GOLD FLASH OVER NICKEL.  
 3.RATING:  
 3.1: OPERATING VOLTAGE: 30V AC/DC.  
 3.2: CURRENT RATING: 0.2A AC/DC.  
 3.3: OPERATING TEMPERATURE:-55°C~+85°C.



REV	MODIFICATION	DATE	DRAW	APPROVE
A	NEW DRAWING	2019/05/10		



-TOLERANCES- UNLESS OTHERWISE SPECIFIED				
X.X ±0.25	X' REF ± 5'	TITLE:  RJ45 Socket		
X.XX ±0.15	X.' ± 3'			
X.XXX±0.05	X'X' ± 1'			
DRAWN	2019/05/10	PRODUCT NO. QRFS-24002		
CHECKED		FILE NAME:		
APPROVED		PORJ.	SIZE A4	REV. A
SCALE: 1:1	UNIT: mm			SHEET. 1/1



-TOLERANCES-			
UNLESS OTHERWISE SPECIFIED			
X.X ±0.25	X° REF ± 5'	TITLE: RJ45 Plug	
X.XX ±0.15	X.' ± 3'		
X.XXX±0.05	X'X' ± 1'		
DRAWN	2019/05/10	PRODUCT NO.	QRMP-24001
CHECKED		FILE NAME:	
APPROVED		PORJ	SIZE A4 REV. A SHEET 1/1
SCALE: 1:1	UNIT: mm		