



MINIWARE

Cordless Soldering Station TS1C



**Super Capacitor
Energy Storage**



Cordless Control



**Bluetooth
Connection**



**Station
Preheating**



Boost Mode

Extraordinary Hard Core Energy Storage Technology

Feature high efficiency super capacitor energy storage,
Different from common battery power.
Up to hundred thousand charging times, safer,
high efficient and enduring.



(Recharge Times)



Separate Design + Real Cordless Experience A Smooth Soldering

Cordless Control, Free of Constraint



Bluetooth Connection Achieve Remote Control & Setting

Search device:
1. TS1C_1B40
2. TS1C_9140

Preheat Temp **250** °C

HR / FR
S: 1.00 1.00
P: 1.00 1.00

Multiple remote functions:

▼ Soldering pen preheating

▼ Temperature control

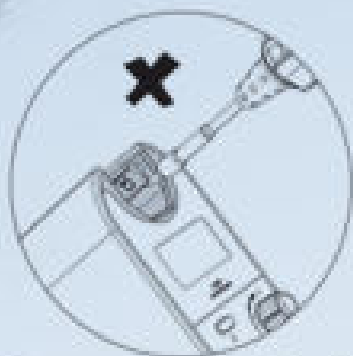
▼ Menu setting

▼ Info viewing



Encoder for
adjusting options

Control, Charging, Stand, Expandable, All In One Station



Do not touch the plastic part of the station slot with a hot soldering tip.



Smart Preheating, Temperature Regulation, Sleep Mode, Perform At Ease

Pen on station

Smart Preheating: Auto preheat after Bluetooth connection, improving efficiency.



Pen pulling out

Heat at motion: Auto heat to working temperature, fast heating.

Boost heating

Boost Mode: Press and hold the "BOOST" button on the soldering pen, the tip temperature will rise and remain at 400°C.



Pen back on station

Cooling & sleep: Auto fall down to preheat temperature, smartly go into sleep mode.

Standard PD Power Input, Charge At A Shorter Time

Control station can work as
a charger for soldering pen
as well as a soldering stand.



PD 20V 45W MAX
Power Input

Super Capacitor Energy Storage for Soldering Pen, High Charge/Discharge Efficiency

7 Minutes to fully charge,
convenient for use.



*Soldering pen can be charged
via USB Type-C interface on
top in emergency cases.



Maximum 36W Power For Soldering

Solder more than 180 joints (0805)
at one full charge.



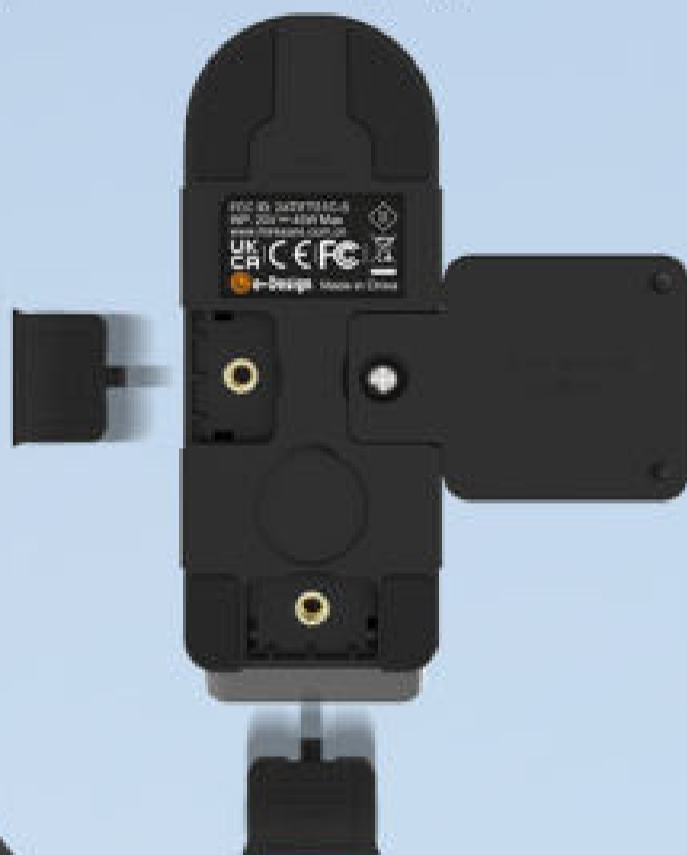
Temperature and Status Display Separately, Clear to Read



Three Expansion Slots, For Different Accessories

Different directions,
Different accessories,
At your free will.

Expansion slots display:

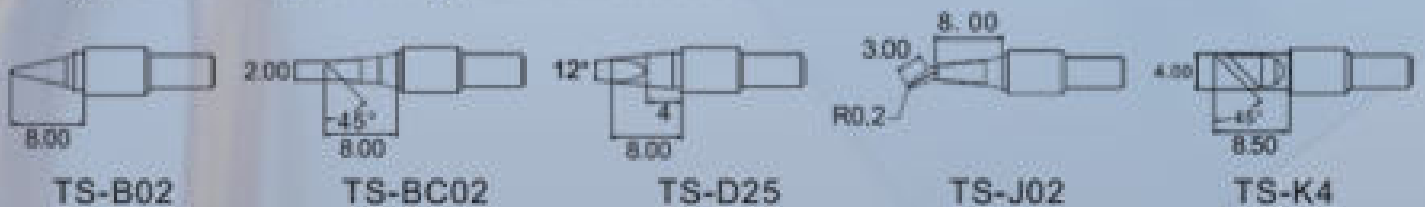


Compatible With MINIWARE 3.5mm Audio Interface Soldering Tips

Use the same soldering tips with TS80/TS80P.



5 Types of tips for your choices:



Smart Safety Protections, Fully Considerate



In-Built With e-Design DFU (Device Firmware Upgrade) Software

Easy upgrade for better experience.
Both station and pen can be upgraded.



Package Includes



TS1C Soldering Pen*1

Soldering Tip(TS-B02)*1

Sponge Slot*1
(Including sponge)

TS1C Control Station*1

Silicone Cable*1

User Manual*1

Product Information



Model:

TS1C-S

Screen:

128*64 pixel OLED

Interface:

USB Type-C

Safety protection:

Over current protection

Maximum input voltage:

PD2 20V

Maximum input power:

45W

Weight:

186g (Including a sponge slot)

Size:

Control Station: 44.5*122*73mm

Sponge Slot: 42*43*10mm

Other:

Three expansion slots for multiple expandable accessories



Model:

TS1C-P

Interface:

USB Type-C

Capacitance:

750F

Charging time:

7 minutes

Maximum heating power:

36W

Temperature range:

100~400°C (212°F~752°F)

Temperature stability:

±3%

Soldering tip:

MINIWARE 3.5mm audio interface soldering tips (TS80/80P soldering tip series)

Safety protection:

Capacitor under voltage protection, capacitor charging protection, over temperature protection

Size:

φ23*133mm

Weight:

62g (without soldering tip)