



USB Series

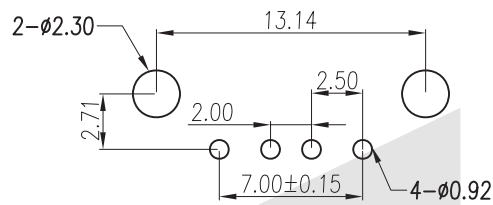
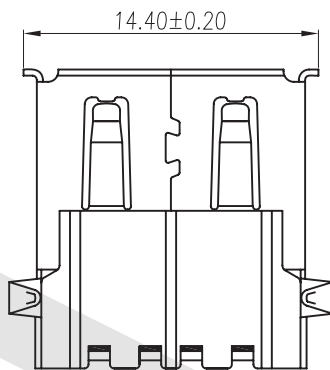
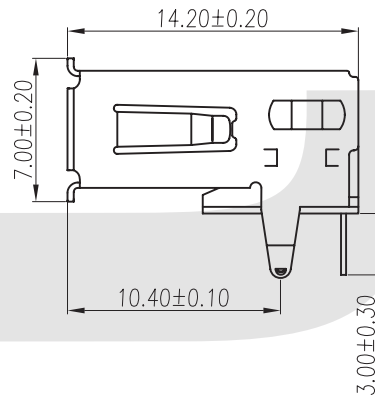
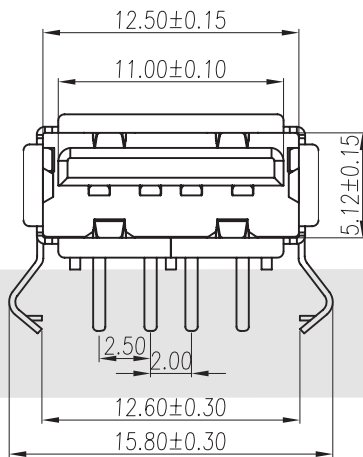
KLS1-181A USB-AF PCB Right Angle.DIP Type

Material:

Housing: 30% Glass filled PBT UL94V-0
 Contacts: Phosphor Bronze
 Pin Plated: Gold 3u" over 50u" nickel

Electrical Characteristics:

Current Rating: 1 AMP
 Insulator Resistance: 1000M Ohm min. at 500 VDC
 Dielectric Withstanding Voltage:500 VAC / Minute
 Contact Resistance: 30m Ohm max.
 Temperature: -55°C ~+105°C



RECOMMENDED PCB LAYOUT

ORDER INFORMATION

Product NO.: KLS1 - 181A - B

Pos. NO. _____
 USB-AF PCB _____
 Right Angle.DIP Type _____
 Color: W=White B=Black